

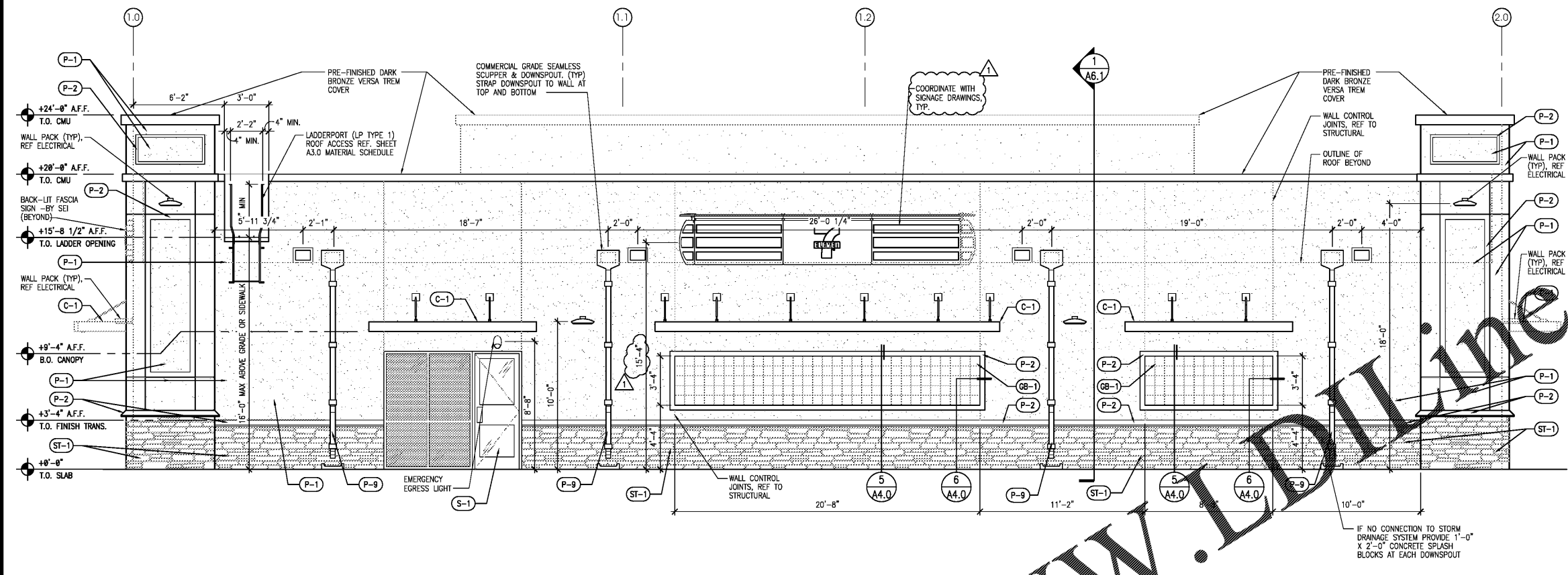
THIS DOCUMENT IS NOT  
FOR REGULATORY  
APPROVAL, PERMITTING,  
OR CONSTRUCTION.

GENERAL NOTES

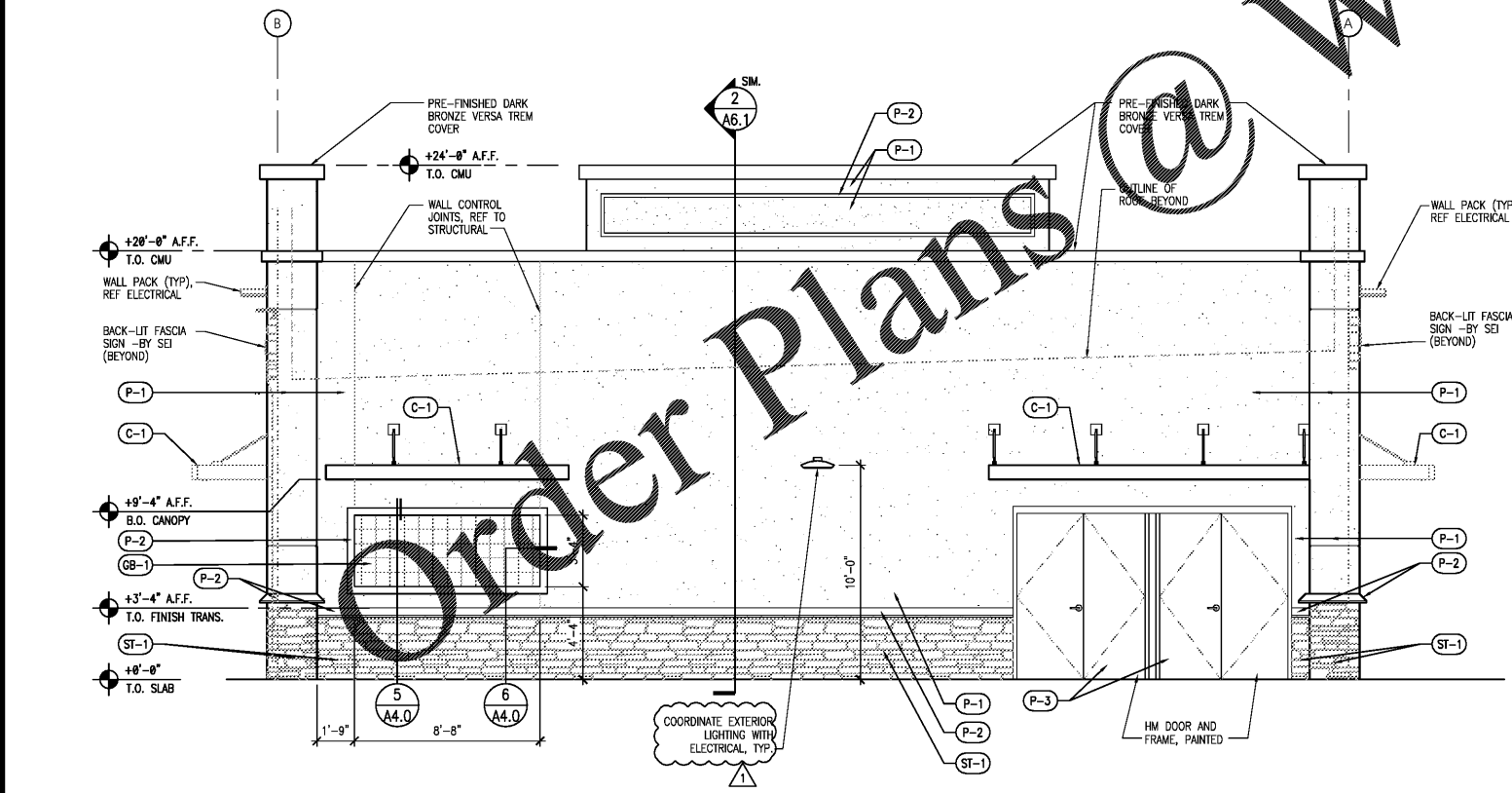
- A. COORDINATE EXTERIOR SIGNAGE WITH CONSTRUCTION PROJECT MANAGER.
- B. REFER TO MATERIAL SCHEDULE ON A3.0 FOR MORE INFORMATION.
- C. EXTERIOR AWNINGS UNDER SEPARATE PERMIT.

EXTERIOR MATERIALS SCHEDULE

NO.	MATERIAL	MANUF.-COLOR
MR-	MEMBRANE ROOFING	DUROLAST - WHITE
P-1	ABOVE WATER TABLE (ABOVE 3'-4")	SHERWIN WILLIAMS - AESTHETIC WHITE SW7035
P-2	WATER TABLE AND BELOW (3'-4" AND BELOW)	SHERWIN WILLIAMS - BALANCED BEIGE SW7037
P-3	EXTERIOR HW DOORS, FRAMES, TRASH ENCLOSURE GATE, GRAVEL GAUDES, AND LIGHT POLES	SHERWIN WILLIAMS - SEAL SKIN SW7675
P-6	EXTERIOR BOLLARDS	SHERWIN WILLIAMS - SEAL SKIN SW7675
P-9	PIPING, ROOF CAPS	SHERWIN WILLIAMS - SEAL SKIN SW7675
S-1	ALUMINUM STOREFRONT GLAZING	KAWNEER 1R350/1R501
C-1	PREFINISHED ALUMINUM CANOPY	MAPES LUMSHADE CANOPY - BRONZE BAKED ENAMEL W/ REAR GUTTER CONNECTIONS
ST-1	STACK STONE	BORAL-COUNTY LEDGE STONE - ASPEN
GB-1	8"X8"X4" GLASS BLOCK	CLEAR BLOCK, NO PATTERN



1 EXTERIOR ELEVATION - BACK 1/4" = 1'-0"



2 EXTERIOR ELEVATION - LEFT SIDE 1/4" = 1'-0"

1 03.18.19 PEER COMMENTS  
NO. DATE REMARKS

REVISIONS



BID SET  
JUNE 27, 2019  
**7-ELEVEN  
STORE #38777**  
12060 US 301 N  
PARRISH, FL  
34219

PROJECT NO: 2018.0891  
DATE: FEBRUARY 26, 2019

**A4.1**  
EXTERIOR ELEVATIONS

CHECKED: RW DRAWN: JUM

WWW.LDLINE.COM

Order Plans

COPYRIGHT © 2019 INTERPLAN LLC. RESERVE COPYRIGHT & OTHER RIGHTS RESTRICTING THESE DOCUMENTS TO THE ORIGINAL USE OR TYPING FOR WHICH THEY WERE PREPARED. REPRODUCTIONS, CHANGES OR ASSIGNMENTS ARE PROHIBITED.