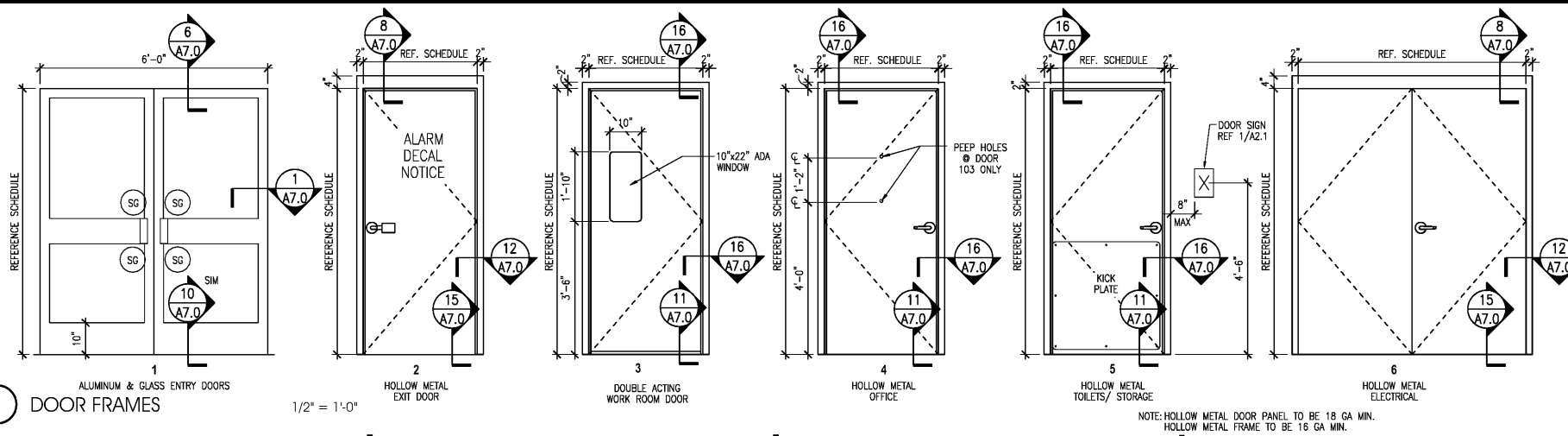


SEAL:

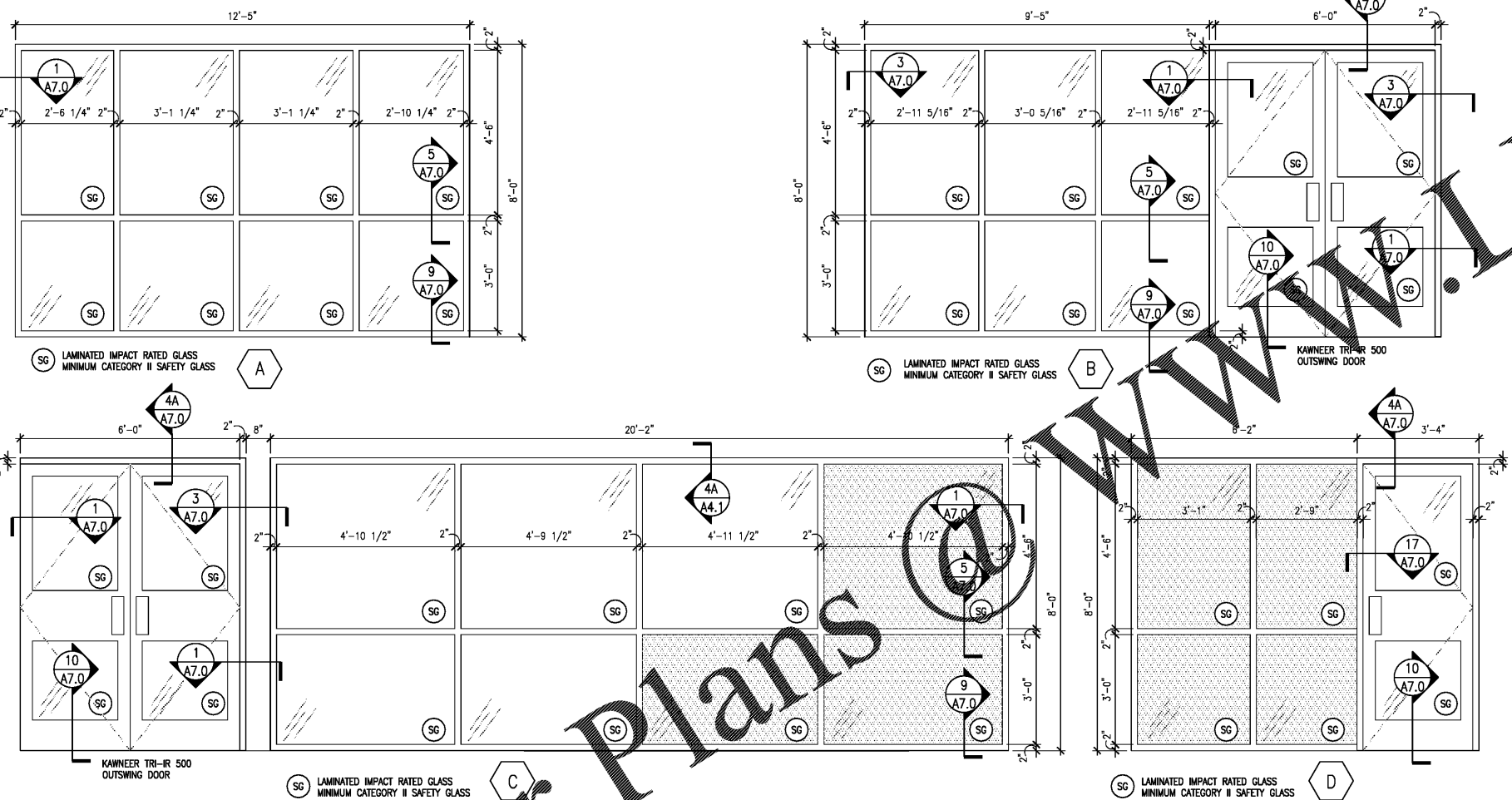
THIS DOCUMENT IS NOT  
FOR REGULATORY  
APPROVAL, PERMITTING,  
OR CONSTRUCTION.



1 DOOR FRAMES

1/2" = 1'-0"

NOTE: HOLLOW METAL DOOR PANEL TO BE 18 GA MIN.  
HOLLOW METAL FRAME TO BE 16 GA MIN.



2 STOREFRONT ELEVATION DETAILS

1/2" = 1'-0"

DOOR NUMBER	ROOM NAME	DOOR TYPE	HARDWARE SET	WIDTH	HEIGHT	DOOR THICKNESS				COMMENTS
						ALUMINUM & GLASS	HOLLOW METAL	ALUMINUM	METAL	
101A	MERCHANDISE	1	1	6'-0"	7'-0"	1 3/4"	X	X	X	TEMPERED GLASS LITES
101B	MERCHANDISE	2	2	3'-0"	7'-0"	1 3/4"	X	X	X	TEMPERED GLASS LITES
103	OFFICE	4	4	3'-0"	7'-0"	1 3/4"	X	X	X	
104	WORK ROOM	3	3	3'-0"	7'-0"	1 1/2"	X	X	X	MULLER DOUBLE ACTING DOOR - ITEM #914 ON EF1.0
105A	MEN	5	5	3'-0"	7'-0"	1 3/4"	X	X	X	
105B	MEN	5	5	3'-0"	7'-0"	1 3/4"	X	X	X	
106A	WOMEN	5	5	3'-0"	7'-0"	1 3/4"	X	X	X	
106B	WOMEN	5	5	3'-0"	7'-0"	1 3/4"	X	X	X	
106C	WOMEN	5	5	2'-2"	7'-0"	1 3/4"	X	X	X	
107	ELECTRICAL	6	7	3'-0"	7'-0"	1 3/4"	X	X	X	
111	STORAGE	6	6	8'-0"	7'-0"	1 3/4"	X	X	X	

DOOR HARDWARE SCHEDULE - DOOR HARDWARE FURNISHED AND INSTALLED BY GC UNLESS NOTED OTHERWISE.	
PAIR	3'-0" X 7'-0" KAWNEER CUSTOM DOOR
HARDWARE LISTED BELOW IS INCLUDED WITH KAWNEER DOOR SET NO. 1 (ENTRY DOOR)	
HARDWARE SET NO. 1 (ENTRY DOOR)	
1-1/2 PAIR KAWNEER STANDARD BUTTS (DOOR LEAF)	
ADAMS-RITE M3-40 DEADLOCK WITH 5/8" X 5/32" DIA. PARAMETER 5 PIN CYLINDERS (ACTIVE LEAF)	
ADAMS-RITE #208 SEE POINT LOCK WITH LOCK INDICATOR & SIGNAGE	
KAWNEER #10-9 / CP DOUBLE ACTING PUSH BOLT HARDWARE, US32D FINISH	
NORTON 100 SURFACE GLOUSE, WITH BACK CHECK, WITHOUT HOLD OPEN	
KAWNEER STANDARD 1 1/2" X 4" MILL FINISH ALUMINUM THRESHOLD	
HARDWARE SET NO. 2 (REAR EXIT)	
ITEM #915 ON SHT EF1.0	
HARDWARE SET NO. 3 (WORK ROOM)	
HARDWARE SET NO. 3 (WORK ROOM)	
MUELLER DOOR CORPORATION - PROVIDED BY 7-ELEVEN AND INSTALLED BY G.C.	
HARDWARE SET NO. 4 (OFFICE)	
1-1/2 PAIR BUTTS	TA2714 4-1/2" X 4-1/2" NRP 26D MCKINNEY
1 EA. LOCK SET W/ DEAD BOLT & THUMB LATCH	4608L W/D212 YALE
1 EA. STOP	FS13 W/ R14 RISER 26D IVES
2 EA. DOOR VIEWER	U-10348 DEFENDER SECURITY
1 EA. CLOSER	4031 HEAVY DUTY AL UNIVERSAL HARDWARE
2 EA. COAT HOOK	8425 ASI
HARDWARE SET NO. 5 DOOR (RESTROOM)	
1-1/2 PAIR BUTTS	TA2714 4-1/2" X 4-1/2" NRP 26D MCKINNEY
1 EA. PRIVACY SET	4602LN YALE
1 EA. CLOSER	4031 HEAVY DUTY AL UNIVERSAL HARDWARE
1 EA. STOP	FS13 W/ R14 RISER 26D IVES
1 EA. KICK PLATE	34" X 30" 0.050 BRUSHED STAINLESS STEEL - PUSH SIDE ONLY
1 EA. COAT HOOK	8425 ASI
HARDWARE SET NO. 6 (STORAGE)	
1-1/2 PAIR BUTTS	TA2714 4-1/2" X 4-1/2" NRP 26D MCKINNEY
1 EA. LOCK SET	4608L YALE
1 EA. CLOSER	4031 HEAVY DUTY AL UNIVERSAL HARDWARE
1 EA. KICK PLATE	34" X 30" 0.050 BRUSHED STAINLESS STEEL - PUSH SIDE ONLY
HARDWARE SET NO. 7 (ELECTRICAL)	
3 PAIR BUTTS	TA2714 4-1/2" X 4-1/2" NRP 26D MCKINNEY
1 EA. LOCK GUARD	LG1 32D IVES
1 EA. LOCK SET	8245 LNJ 26D SARGENT
1 EA. DRIP CAP	346-C-72" ALUM PEMKO
1 EA. JAMB & HEAD WEATHER STRIP	319CR PEMKO
2 EA. DOOR BOTTOM WEATHER STRIP	315CN PEMKO
2 EA. MEETING STILE GASKETS	303AS PEMKO
2 EA. DOOR SHOE	222 AV PEMKO
1 EA. THRESHOLD	170-A-72" PEMKO
1 EA. CHAIN STOP	HD HD
2 EA. MANUAL FLUSH BOLT	#555 US26D ROCKWOOD
1 EA. DUST PROOF STRIKE	#570 US26D ROCKWOOD

STOREFRONT SCHEDULE														
TYPE	INSULATING GLASS UNIT						FRAME			ORIENTATION	COMMENTS			
	OUTDOOR LITE	INDOOR LITE	AIR SPACE	SHGC	U-FACTOR	VT	SURFACE 1 (EXTERIOR)	SURFACE 2	SURFACE 3			SURFACE 4 (INTERIOR)	DARK BRONZE KAWNEER MODEL IR 500 CENTER GLAZED KAWNEER MODEL TRIFAB VG 450	
A	6MM	6MM	1/2"	.29	.50	.60	CLEAR	CLEAR	CLEAR	CLEAR 3M FILM	X	X	X	SOUTH/EAST
B	6MM	6MM	1/2"	.29	.50	.60	CLEAR	CLEAR	CLEAR	CLEAR 3M FILM	X	X	X	SOUTH/EAST
C	6MM	6MM	1/2"	.29	.50	.60	CLEAR	CLEAR	CLEAR	CLEAR 3M FILM	X	X	X	SOUTH/EAST
D	6MM	6MM	1/2"	.29	.50	.60	CLEAR	CLEAR	CLEAR	CLEAR 3M FILM	X	X	X	NORTH/WEST

NOTE: REFERENCE MATERIAL SPECIFICATIONS FOR 3M FILM REQUIREMENTS. CLEAR 3M FILM

Order Plans

WWW.DRAWINGDOCS.COM

NO DATE REMARKS

REVISIONS



BID SET  
JUNE 27, 2019

7-ELEVEN  
STORE #38777

12060 US 301 N  
PARRISH, FL  
34219

PROJECT NO: 2018.0891  
DATE: FEBRUARY 26, 2019

A3.1  
STOREFRONTS DOOR TYPES  
AND SCHEDULES

CHECKED: RW DRAWN: JUM

COPYRIGHT © 2019 INTERPLAN LLC. RESERVE RIGHTS RESTRICTING THESE DOCUMENTS TO THE ORIGINAL USE OR REPRODUCTION OF WHICH THEY WERE PREPARED. REPRODUCTIONS, CHANGES OR ASSIGNMENTS ARE PROHIBITED.