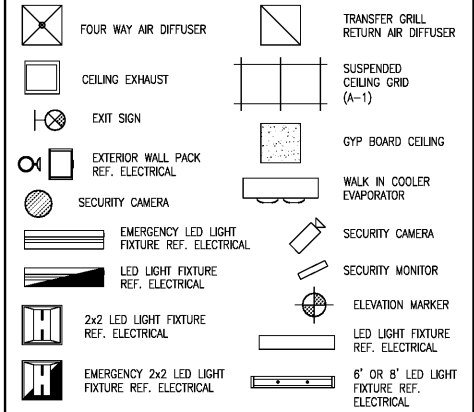


GENERAL NOTES

- A. FINISH CEILING HEIGHT SHALL BE AS NOTED.
- B. UNLESS OTHERWISE NOTED OR CODED, ALL FIXTURES SHOWN ARE NEW.
- C. THE CONTRACTOR SHALL CAREFULLY REVIEW ALL ATTACHMENT CONDITIONS FOR NEW FURRED OR SUSPENDED CEILING TO ASSUME PROPER CLEARANCES AND FIXMENT.
- D. REFER TO E2.0 FOR ADDITIONAL INFORMATION ON LIGHTING.
- E. REFER TO ENGINEERING DRAWINGS FOR ALL LIFE SAFETY DEVICES.
- F. REFER TO ENGINEERING DRAWINGS FOR ALL CIRCUITING/SWITCHING AND ELECTRICAL RISER INFORMATION.
- G. ENGINEERING DRAWINGS SUPERCEDES THIS DRAWING.
- H. REFER TO ENGINEERING DRAWINGS FOR ALL LIGHTING SPECIFICATION.
- I. SEE HVAC PLAN TO COORDINATE CEILING DIFFUSERS, GRILLES, AND FAN LOCATIONS (SHOWN ON THIS DRAWING FOR LOCATION ONLY).
- J. SYRUP LINE INSTALLATION - REFER TO CODE OR AS INDICATED ON PLAN. CABLED BUNDLE SYRUP LINES SHALL BE INSTALLED IN PVC CONDUIT (METAL CONDUIT FOR FR LINES) 45° SLOPES AT CORNER AND "TEE" CONNECTIONS. CONDUIT SHALL BE ATTACHED TO WALL AND UNDERSIDE OF ROOF CONSTRUCTION W/ PIPES SHOWN. REFER TO MANUFACTURER SPECIFICATIONS FOR MINIMUM ALLOWED BENDING RADIUS OF LINES.
- K. ALL POINTS ABOVE 8'-4" IN THE MERCHANDISE/SALES AREA SHALL BE P-4 UNLESS NOTED OTHERWISE ON THE REFLECTED CEILING PLAN. REFERENCE SHEET A3.0 FOR MATERIAL SCHEDULES.
- L. VERIFY NUMBER OF SYRUP LINES TO NUMBER OF SYRUP AND POST MIX MACHINES.
- M. PROVIDE ACCESS PANEL WHEN EQUIPMENT IS PRESENT ABOVE COOLER VAULT.

REFLECTED CEILING PLAN LEGEND



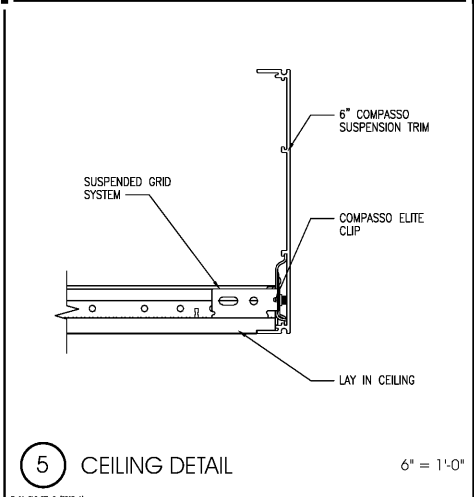
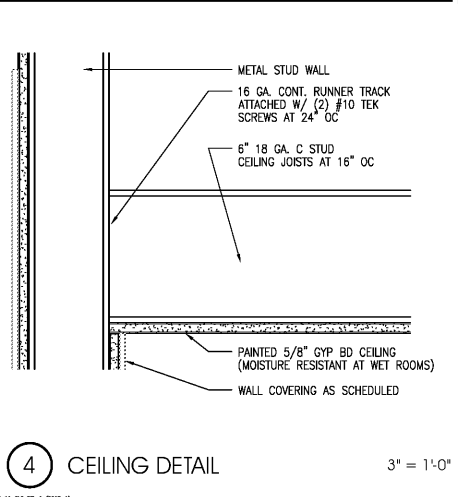
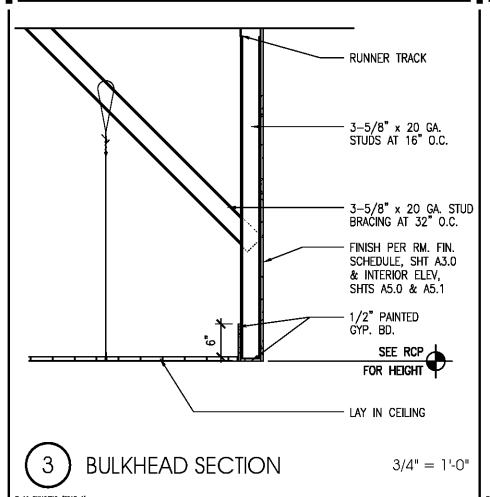
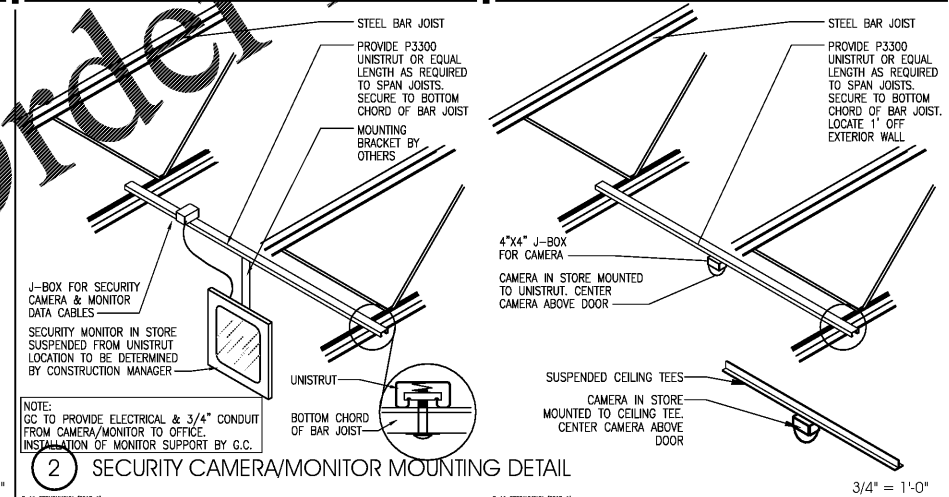
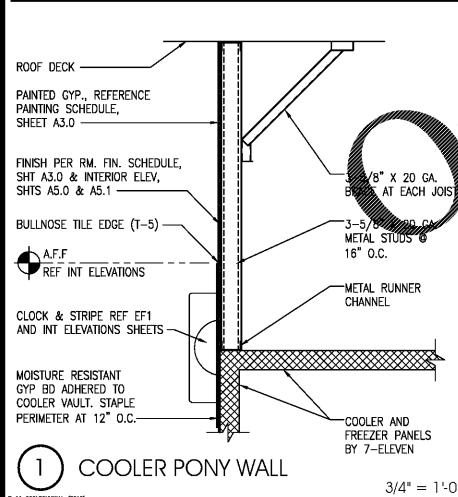
KEY NOTES

1. G.C. TO PAINT GYP. BD. CEILING. REFER TO DETAIL 4 ON THIS SHEET.
2. SYRUP LINES TO POSTMIX INSTALL IN PVC CONDUIT TO WALL POCKET BELOW AND SEAL AS REQUIRED.
3. MAPES LUMSHADE ALUMINUM CANOPY.
4. SYRUP LINES TO SLURPEE DISPENSERS. INSTALL IN PVC CONDUIT TO WALL POCKET BELOW AND SEAL AS REQ'D.
5. PREMANUFACTURED INSULATED COOLER VAULT CEILING. BUILDING CEILING ABOVE IS UNFINISHED EXPOSED STRUCTURE.
6. BAR JOIST ABOVE. REFER TO STRUCTURAL DRAWINGS FOR SIZE AND SPACING. LIGHT FIXTURES TO BE HUNG FROM BAR JOIST AND SPACED ACCORDINGLY.
7. PRISMATIC SKYLIGHT; SEE A2.3 FOR DIMENSIONED LOCATION, SEE EF-1 FOR ADDITIONAL INFORMATION.
8. 6" DIA. PVC CONDUIT ABOVE CEILINGS FOR SYRUP LINES - ROUTE (2) BUNDLES OF 14 SYRUP LINES PER 6" PVC CONDUIT AS REQUIRED - SEAL TO WALL FINISH AT PENETRATIONS AND APPLY SPRAY FOAM ON INTERIOR OF CONDUIT AT ENDS TO SEAL AROUND SYRUP LINES (TYP THROUGH WALL).
9. SYRUP LINE 974 SERIES (974R AT FIRE RATED WALLS) ATTACHED TO BOTTOM OF DECK WITH 3/4" WIDE, 16 GAUGE, GALVANIZED PIPE STRAPS AT 4' O.C. MAX.
10. DIGITAL MENU BOARDS. REF EF1.0, A7.1, AND A7.2 FOR MORE DETAILS.
11. PROMO SCREEN CENTER BETWEEN POS1 AND POS2. REF EF1.0, A7.1 AND A7.2 FOR MORE DETAILS.

CEILING SCHEDULE

| TYPE | DESCRIPTION |
|------|--|
| C1 | OPEN TO CEILING STRUCTURE W/ EXPOSED TRUSSES |
| C2 | GYP BD CEILING |
| C3 | (A-1) LAY IN ACOUSTICAL CEILING TILE |

1.0 REFLECTED CEILING PLAN



1 3/4" = 1'-0" 2 3/4" = 1'-0" 3 3/4" = 1'-0" 4 3" = 1'-0" 5 6" = 1'-0"

INTERPLAN
 ARCHITECTURE
 ENGINEERING
 INTERIOR DESIGN
 PROJECT MANAGEMENT
 AA 003420
 CA 8660
 604 COURTLAND STREET
 SUITE 100
 ORLANDO, FLORIDA 32804
 PH 407.645.5008
 FX 407.629.9124

THIS DOCUMENT IS NOT FOR REGULATORY APPROVAL, PERMITTING, OR CONSTRUCTION.

1 03.18.19 PEER COMMENTS
 NO. DATE REMARKS
 REVISIONS



BID SET
 JUNE 27, 2019
7-ELEVEN
STORE #38777
 12060 US 301 N
 PARRISH, FL
 34219

PROJECT NO: 2018.0891
 DATE: FEBRUARY 26, 2019

A2.2
 REFLECTED CEILING PLAN

CHECKED: RW DRAWN: JUM