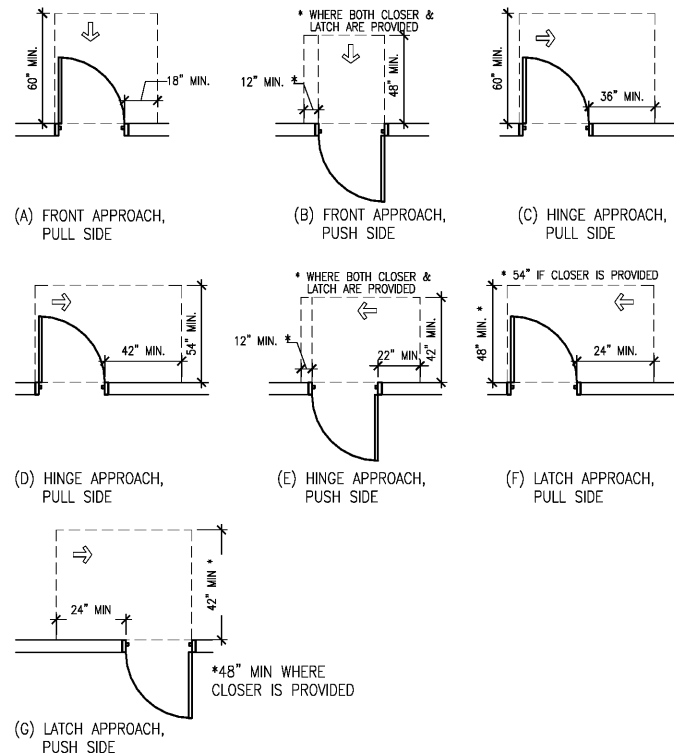
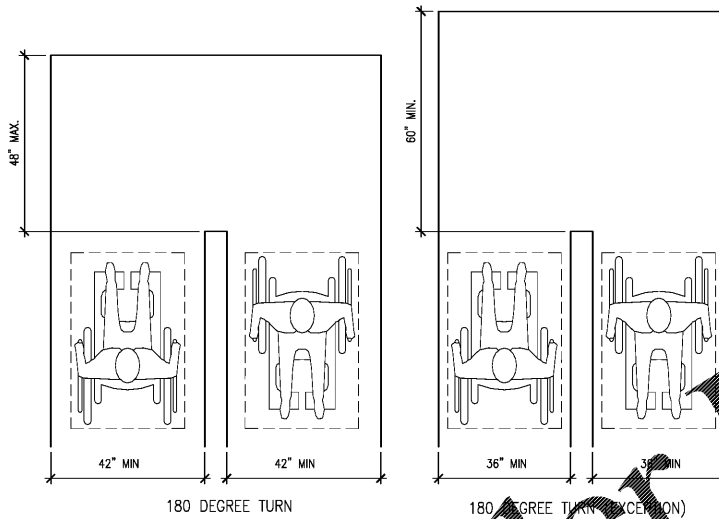




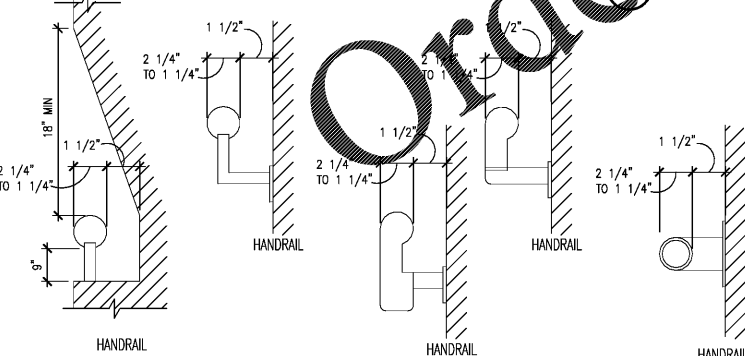
DISPLAY CONDITIONS  
INTERNATIONAL SYMBOL OF ACCESSIBILITY  
INTERNATIONAL SYMBOL OF ACCESS OF HEARING LOSS  
INTERNATIONAL TDD SYMBOL



MANEUVERING CLEARANCE AT SWINGING DOORS 2



CLEAR WIDTH AT THRESHOLDS 3



SIZE AND SPACING OF HANDRAILS AND GRAB BARS 4

ENTRANCES / DOORS:

- PROVIDE METALLIC SIGN OVER EACH STOREFRONT DOOR STATING: "THIS DOOR MUST REMAIN UNLOCKED DURING BUSINESS HOURS". LETTERS SHALL NOT BE LESS THAN 1" HIGH ON A CONTRASTING BACKGROUND. THE SIGN SHALL BE INSTALLED BY THE GENERAL CONTRACTOR ON THE STOREFRONT ALUMINUM HEADER FRAME.
- ALL ACCESSIBLE ENTRANCES SHALL BE IDENTIFIED WITH AT LEAST ONE STANDARD SIGN AND WITH ADDITIONAL DIRECTIONAL SIGNS, AS REQUIRED, VISIBLE FROM APPROACHING PEDESTRIAN WAYS.
- EVERY REQUIRED ENTRANCE OR PASSAGE DOORWAY SHALL BE OF A SIZE AS TO PERMIT THE INSTALLATION OF A DOOR NOT LESS THAN 3 FEET IN WIDTH AND NOT LESS THAN 6 FEET-8 INCHES IN HEIGHT. DOORS SHALL BE CAPABLE OF OPENING AT LEAST 90 DEGREES AND SHALL BE SO MOUNTED THAT THE CLEAR WIDTH OF DOORWAY IS NOT LESS THAN 32-INCHES.
- WHERE PAIR OF DOORS IS UTILIZED AT LEAST ONE OF THE DOORS SHALL PROVIDE A CLEAR UNOBSTRUCTED OPENING WIDTH OF 32-INCHES WITH THE LEAF POSITIONED AT AN ANGLE OF 90 DEGREES FROM ITS CLOSED POSITION.
- LATCHING AND LOCKING DOORS THAT ARE HAND ACTIVATED AND WHICH ARE IN PATH OF TRAVEL SHALL BE OPERABLE WITH A SINGLE EFFORT BY LEVER TYPE HARDWARE, THAT DOES NOT REQUIRE TIGHT GRASPING, PINCHING OR TWISTING OF WRIST TO OPERATE. PANK BARS, PUSH-PULL ACTIVATING BARS, OR OTHER HARDWARE DESIGNED TO PROVIDE PASSAGE WITHOUT REQUIRING THE ABILITY TO GRASP THE OPENING HARDWARE ARE ALLOWABLE.
- HAND ACTIVATED DOOR OPENING HARDWARE SHALL BE CENTERED BETWEEN 34-INCHES MIN AND 48" ABOVE THE FLOOR.
- THE FLOOR AND LANDING ON EACH SIDE OF AN ENTRANCE OR PASSAGE DOOR SHALL BE LEVEL AND CLEAR. THE LEVEL AND CLEAR AREA SHALL HAVE A LENGTH OF 60 INCHES IN THE DIRECTION OF TRAVEL AND THE LENGTH OF 48 INCHES IN OPPOSITE DIRECTION OF TRAVEL. SEE DIAGRAM "MANEUVERING CLEARANCE"
- THE WIDTH OF THE LEVEL AND CLEAR AREA ON THE SIDE TO WHICH THE DOOR SWINGS SHALL EXTEND 24-INCHES PAST THE STRIKE EDGE OF THE DOOR FOR EXTERIOR DOORS AND 18-INCHES PAST THE STRIKE EDGE FOR THE INTERIOR DOORS.
- THE FLOOR OR LANDING SHALL BE NOT MORE THAN 1/2-INCH LOWER THAN THE THRESHOLD OF THE DOORWAY. CHANGE IN LEVEL BETWEEN 1/4- INCH AND 1/2-INCH SHALL BE BEVELED WITH A SLOPE NO GREATER THAN 1:2.
- THE BOTTOM 10-INCHES OF ALL DOORS EXCEPT AUTOMATIC AND SLIDING DOORS SHALL HAVE A SMOOTH UNINTERRUPTED SURFACE TO ALLOW THE DOOR TO BE OPENED BY A WHEELCHAIR FOOTREST WITHOUT CREATING A TRAP OR HAZARDOUS CONDITION. WHERE NARROW FRAME DOORS ARE USED, A 10-INCH HIGH SMOOTH PANEL SHALL BE INSTALLED ON THE PUSHED SIDE OF THE DOOR, WHICH WILL ALLOW THE DOOR TO BE OPENED BY A WHEELCHAIR FOOTREST WITHOUT CREATING A TRAP OR HAZARDOUS CONDITION.
- A NARROW FRAME WITH A BEVELED TOP (30 DEGREES MAX. BEVEL TO VERTICAL PLANE) INSTALLED AT THE BOTTOM OF THE GLASS DOOR (WITH NO SIDE FRAMES) MAY BE USED IN LIEU OF PROVIDING THE REQUIRED 10- INCH UNINTERRUPTED SURFACE AT THE BOTTOM OF THE DOOR.
- MAXIMUM EFFORT TO OPERATE DOORS SHALL NOT EXCEED 5 LBS. FOR EXTERIOR DOORS AND 5 LBS. FOR INTERIOR DOORS. SUCH PULL OR PUSH EFFORT BEING APPLIED AT RIGHT ANGLES TO HINGED DOORS AND AT THE CENTER PLANE OF SLIDING OR FOLDING DOORS. COMPENSATING DEVICES OR AUTOMATIC DOOR OPERATORS MAY BE UTILIZED TO MEET THE ABOVE STANDARDS. WHEN FIRE DOORS ARE REQUIRED, THE MAXIMUM EFFORT TO OPERATE THE DOOR MAY BE INCREASED NOT TO EXCEED 15 LBS. REFER TO SECTION 404.2.8 OF ICC/ANSI.

CORRIDORS AND AISLE:

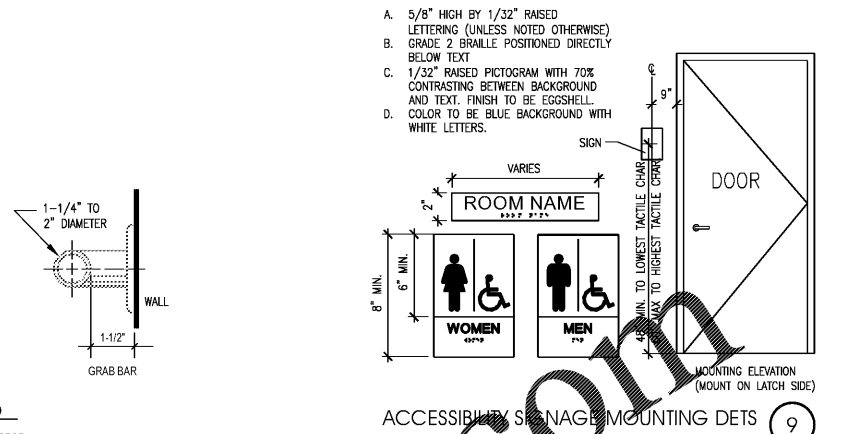
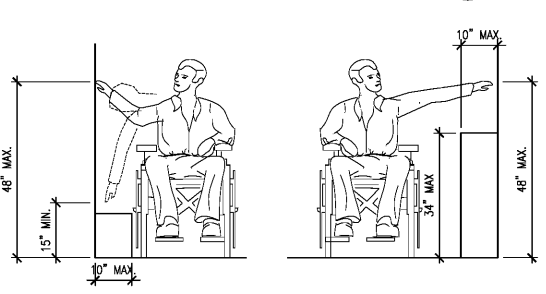
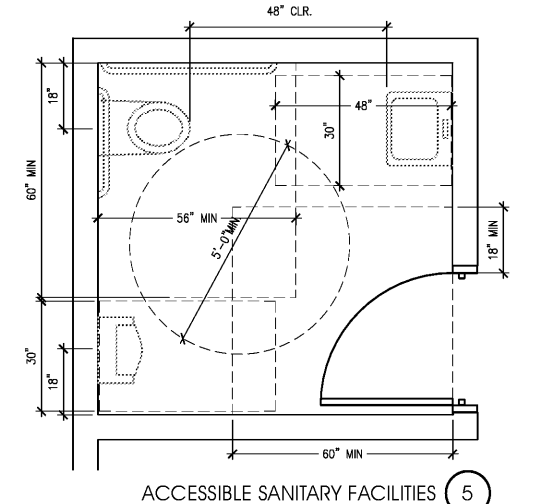
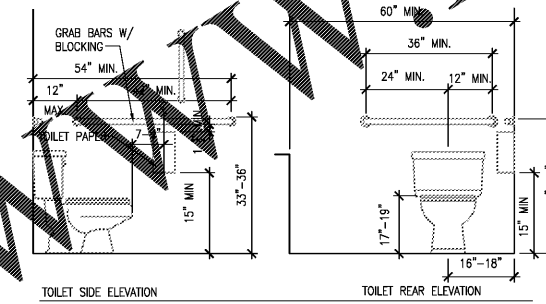
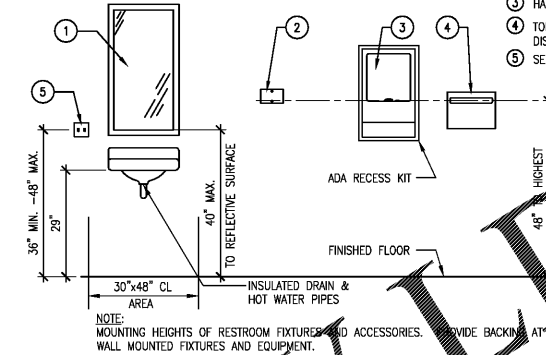
- FLOOR SURFACES SHALL BE SLIP-RESISTANT.
- EVERY PORTION OF EVERY BUILDING IN WHICH ARE INSTALLED SEATS, TABLES, MERCHANDISE, EQUIPMENT OR SIMILAR MATERIALS SHALL BE PROVIDED WITH AISLES LEADING TO AN EXIT.
- EVERY AISLE SHALL BE NOT LESS THAN 3 FEET WIDE IF SERVING ONLY ONE SIDE, AND NOT LESS THAN 3 FEET 8 INCHES WIDE IF SERVING BOTH SIDES. SUCH MINIMUM WIDTH SHALL BE MEASURED AT THE POINT FARTHEST FROM AN EXIT, CROSS AISLE OR FOYER AND SHALL BE INCREASED BY 1 1/2 INCHES FOR EACH 5 FEET IN LENGTH TOWARD THE EXIT. CROSS AISLE OR FOYER WITH CONTINENTAL SEATING SIDE AISLES SHALL BE NOT LESS THAN 44 INCHES IN WIDTH.

SANITARY FACILITIES:

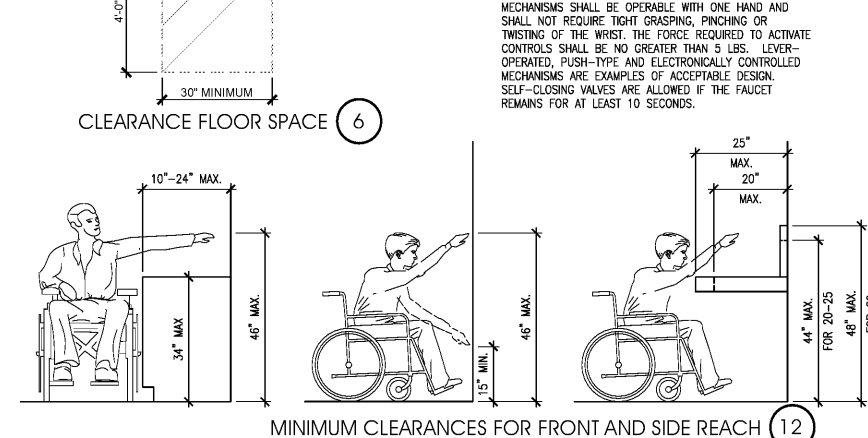
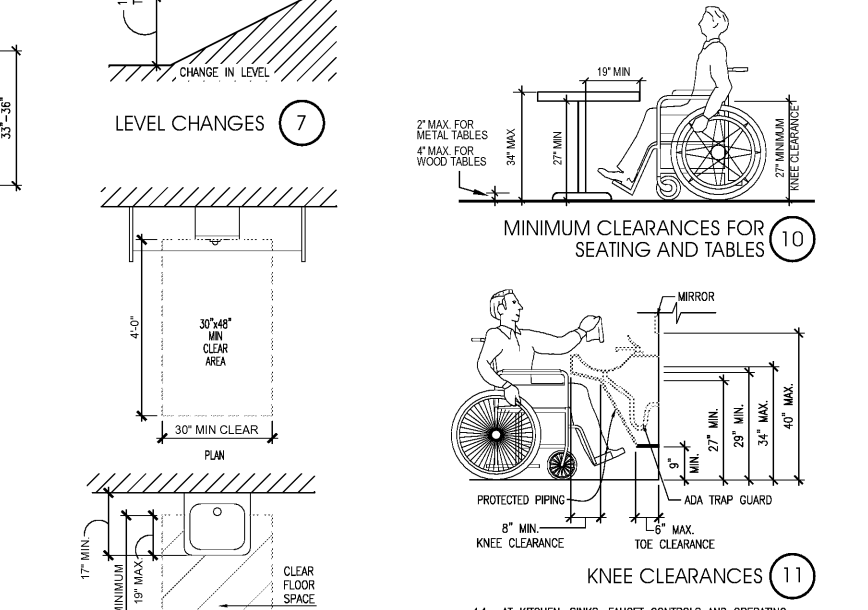
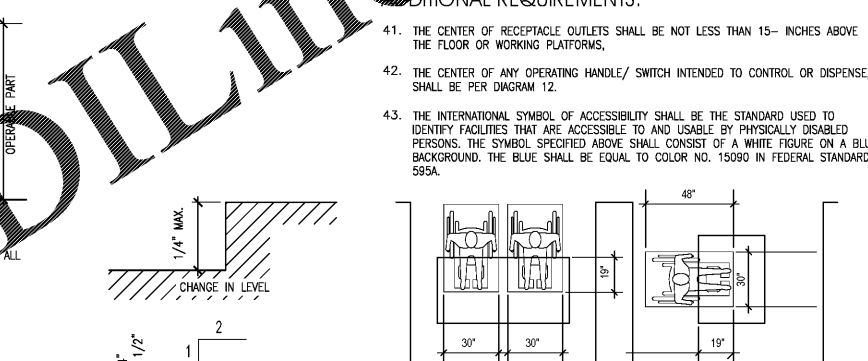
- ACCESSIBLE SIGN CONTAINING TACTILE CHARACTER SHALL BE PROVIDED AT DOOR. THE SIGN SHALL BE ALONGSIDE THE DOOR ON LATCH SIDE AND AT DOUBLE DOORS, THE SIGN SHALL BE RIGHT OF THE RIGHT HANDED DOOR. THE SIGN CONTAINING TACTILE CHARACTERS SHALL BE 18" MIN BY 18" MIN. SPACE ON THE FLOOR CENTERED ON SIGN. THE SIGN TACTILE CHARACTERS SHALL BE 48" MIN AND 60" MAX ABOVE FLOOR.
- CLEARANCE AROUND THE WATER CLOSET SHALL BE 60" MIN MEASURED PERPENDICULAR FROM THE SIDEWALL, AND 56" MIN. MEASURED PERPENDICULAR FROM REAR WALL. NO OTHER FIXTURES OR OBSTRUCTION SHALL BE WITHIN WATER CLOSET CLEARANCE.
- WATER CLOSET COMPARTMENTS SHALL BE EQUIPPED WITH A DOOR THAT HAS AN AUTOMATIC CLOSING DEVICE, AND SHALL HAVE A CLEAR UNOBSTRUCTED OPENING WIDTH OF 32-INCHES WHEN LOCATED AT THE END AND 34-INCHES WHEN LOCATED AT THE SIDE WITH THE DOOR POSITIONED AT AN ANGLE OF 90 DEGREES FROM ITS CLOSED POSITION.
- EXCEPT FOR DOOR OPENING WIDTH AND DOOR SWINGS, A CLEAR UNOBSTRUCTED ACCESS NOT LESS THAN 44-INCHES SHALL BE PROVIDED TO WATER CLOSET COMPARTMENTS DESIGNED FOR USE BY THE DISABLED. THE CLEARANCE IN THE FRONT OF A WATER CLOSET COMPARTMENT SHALL BE NOT LESS THAN 48-INCHES AS MEASURED AT RIGHT ANGLES TO THE COMPARTMENT DOOR IN ITS CLOSED POSITION.
- THE HEIGHT OF ACCESSIBLE WATER CLOSET SHALL BE A MINIMUM OF 17 INCHES AND A MAXIMUM OF 19 INCHES MEASURED TO THE TOP OF TOILET SEAT.
- TOILET FLUSH CONTROLS SHALL BE OPERABLE WITH ONE HAND, AND SHALL NOT REQUIRE TIGHT GRASPING, PINCHING OR TWISTING OF THE WRIST. CONTROLS FOR THE FLUSH VALVES SHALL BE INSTALLED ON THE WIDE SIDE OF THE TOILET AREAS, NO MORE THAN 44-INCHES ABOVE THE FLOOR. THE FORCE REQUIRED TO ACTIVATE CONTROLS SHALL BE NO GREATER THAN 5 POUNDS.
- WHERE URINALS ARE PROVIDED, AT LEAST ONE SHALL HAVE A CLEAR SPACE 30-INCHES WIDE X 48-INCHES LONG IN FRONT OF THE URINAL.
- WHERE URINALS ARE PROVIDED, AT LEAST ONE WITH A RIM PROJECTING A MINIMUM OF 17-INCHES ABOVE THE FLOOR SHALL BE PROVIDED.
- A CLEAR FLOOR SPACE 30-INCHES WIDE X 48-INCHES LONG SHALL BE PROVIDED IN FRONT OF A LAVATORY TO APPROACH. SUCH CLEAR FLOOR SPACE SHALL ADJOIN OR OVERLAP AN ACCESSIBLE ROUTE AND SHALL EXTEND INTO KNEE AND TOE SPACE UNDERNEATH THE LAVATORY.
- LAVATORIES SHALL BE MOUNTED WITH A CLEARANCE OF AT LEAST 29- INCHES FROM THE FLOOR TO THE BOTTOM OF THE APRON WITH KNEE CLEARANCE UNDER THE FRONT LIP EXTENDING A MINIMUM OF 30-INCHES IN WIDTH WITH 6-INCHES MINIMUM DEPTH AT THE TOP. TOE CLEARANCE SHALL BE THE SAME WITH AND SHALL BE A MINIMUM OF 9-INCHES HIGH FROM THE FLOOR AND A MINIMUM OF 17-INCHES DEEP FROM THE FRONT OF THE LAVATORY. SEE FIGURE 11
- A PROJECTION OF LAVATORY BOWL INTO THE 8-INCH CLEAR SPACE, THEREBY REDUCING THE CLEAR HEIGHT BELOW THE LAVATORY TO NO LESS THAN 27-INCHES AT 8-INCHES BACK FROM THE APRON, MEETS THE REQUIREMENT FOR PROVIDING KNEE CLEARANCE.
- HOT WATER AND DRAIN PIPES UNDER LAVATORIES SHALL BE INSULATED OR OTHERWISE COVERED. THERE SHALL BE NO SHARP OR ABRASIVE SURFACES UNDER LAVATORIES.
- FAUCET CONTROLS AND OPERATING MECHANISMS SHALL BE OPERABLE WITH ONE HAND AND SHALL NOT REQUIRE TIGHT GRASPING, PINCHING OR TWISTING OF THE WRIST. THE FORCE REQUIRED TO ACTIVATE CONTROLS SHALL BE NO GREATER THAN 5 LBS. LEVER-OPERATED, PUSH-TYPE AND ELECTRONICALLY CONTROLLED MECHANISMS ARE EXAMPLES OF ACCEPTABLE DESIGN. SELF-CLOSING VALVES ARE ALLOWED IF THE FAUCET REMAINS OPEN FOR AT LEAST 10 SECONDS.
- MIRRORS SHALL BE MOUNTED WITH THE BOTTOM EDGE NOT MORE THAN 40-INCHES FROM THE FLOOR.
- LOCATE TOWEL, SANITARY NAPKIN, AND WASTE RECEPTACLES WITH ALL OPERABLE PARTS NOT MORE THAN 40-INCHES FROM THE FLOOR.

GRAB BARS:

- GRAB BARS, FASTENERS AND MOUNTING DEVICES SHALL BE DESIGNED FOR 250 LBS. PER LINEAR FOOT LOAD.
- GRAB BARS SHALL BE LOCATED ON EACH SIDE, OR ONE SIDE AND THE BACK OF THE PHYSICALLY DISABLED TOILET STALL OR COMPARTMENT AND SHALL BE SECURELY ATTACHED 33-INCHES ABOVE AND PARALLEL TO THE FLOOR.
- GRAB BARS AT THE SIDE SHALL BE AT LEAST 42-INCHES LONG MOUNTED AT A MAX. 12" FROM THE REAR WALL, AND GRAB BARS AT THE BACK SHALL BE NOT LESS THAN 36-INCHES LONG. AND EXTEND 12" MIN. TO ONE SIDE & 24" TO THE OTHER.
- THE DIAMETER OR WIDTH OF THE GRIPPING SURFACES OF A GRAB BAR SHALL BE 1-1/4 INCHES TO 1-1/2 INCHES OR THE SHAPE SHALL PROVIDE AN EQUIVALENT GRIPPING SURFACE.
- IF THE GRAB BAR IS MOUNTED ADJACENT TO A WALL, THE SPACE BETWEEN THE WALL AND THE GRAB BAR SHALL BE 1-1/2 INCHES.
- A GRAB BAR AND ANY WALL OR OTHER SURFACE ADJACENT SHALL BE FREE OF ANY SHARP OR ABRASIVE ELEMENTS.
- GRAB BARS SHALL NOT ROTATE WITHIN THEIR FITTINGS.
- EDGES SHALL HAVE MINIMUM RADIUS OF 1/8-INCH.



- LEGEND
- 1 MIRROR.
  - 2 SOAP DISPENSER.
  - 3 HAND DRYER
  - 4 TOILET SEAT COVER DISPENSER.
  - 5 SENSORS.



- 5/8" HIGH BY 1/32" RAISED LETTERING (UNLESS NOTED OTHERWISE)
- GRADE 2 BRAILLE POSITIONED DIRECTLY BELOW TEXT
- 1/32" RAISED PICTOGRAM WITH 70% CONTRASTING BETWEEN BACKGROUND AND TEXT. FINISH TO BE EGGSHELL COLOR TO BE BLUE BACKGROUND WITH WHITE LETTERS.

- TELEPHONES:
- IF PUBLIC TELEPHONES ARE EXISTING, IT'S THE OWNER'S RESPONSIBILITY TO NOTIFY THE TELEPHONE COMPANY TO GUARANTEE/CERTIFY THAT TELEPHONES ARE ADA COMPLIANT.
- ADDITIONAL REQUIREMENTS:
- THE CENTER OF RECEPTACLE OUTLETS SHALL BE NOT LESS THAN 15- INCHES ABOVE THE FLOOR OR WORKING PLATFORMS.
  - THE CENTER OF ANY OPERATING HANDLE/ SWITCH INTENDED TO CONTROL OR DISPENSE, SHALL BE PER DIAGRAM 12.
  - THE INTERNATIONAL SYMBOL OF ACCESSIBILITY SHALL BE THE STANDARD USED TO IDENTIFY FACILITIES THAT ARE ACCESSIBLE TO AND USABLE BY PHYSICALLY DISABLED PERSONS. THE SYMBOL DESCRIBED ABOVE SHALL CONSIST OF A WHITE FIGURE ON A BLUE BACKGROUND. THE BLUE SHALL BE EQUAL TO COLOR NO. 15090 IN FEDERAL STANDARD 595A.

INTERPLAN

ARCHITECTURE  
ENGINEERING  
INTERIOR DESIGN  
PROJECT MANAGEMENT

AA 003420  
CA 8660

604 COURTLAND STREET  
SUITE 100  
ORLANDO, FLORIDA 32804  
PH 407.645.5008  
FX 407.629.9124

SEAL:

THIS DOCUMENT IS NOT FOR REGULATORY APPROVAL, PERMITTING, OR CONSTRUCTION.

NO DATE REMARKS  
REVISIONS



BID SET  
JUNE 27, 2019

7-ELEVEN  
STORE #38777

12060 US 301 N  
PARRISH, FL  
34219

PROJECT NO: 2018.0891  
DATE: FEBRUARY 26, 2019

A0.0  
ADA SHEET

CHECKED: RW DRAWN: JUM

COPYRIGHT © 2019 INTERPLAN LLC. RESERVE RIGHTS RESTRICTING THIS DOCUMENT TO THE ORIGINAL USE OR REPRODUCTION WHICH THEY WERE PREPARED. REPRODUCTIONS, CHANGES OR ASSIGNMENTS ARE PROHIBITED.