

SEAL:

THIS DOCUMENT IS NOT
FOR REGULATORY
APPROVAL, PERMITTING,
OR CONSTRUCTION.

BJARNE MADSEN, P.E.
FL 56683



1673 LAKE BALDWIN LANE
ORLANDO, FLORIDA 32814
PH. (407) 252-4225
LIC EB28029
PROJECT # IP19-05

1 03/19/19 PEER COMMENTS
NO. DATE REMARKS

REVISIONS



BID SET
JUNE 27, 2019

**7-ELEVEN
STORE #38777**

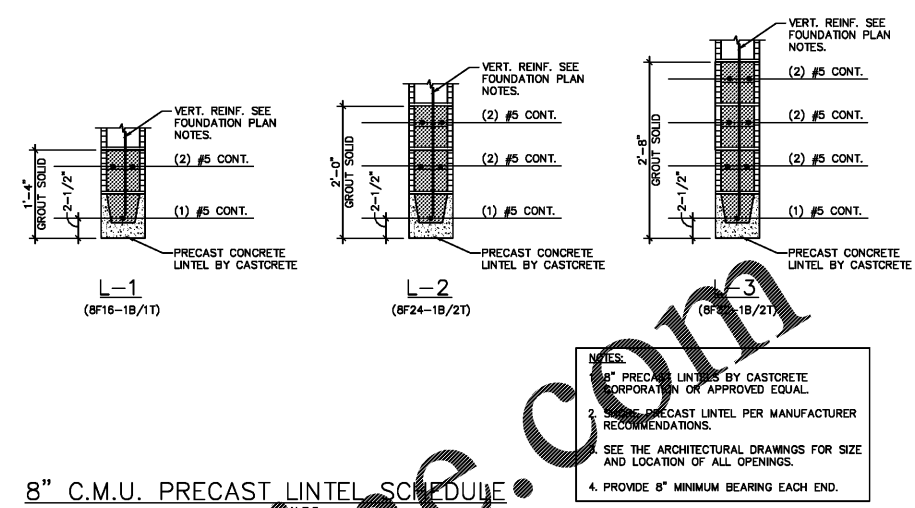
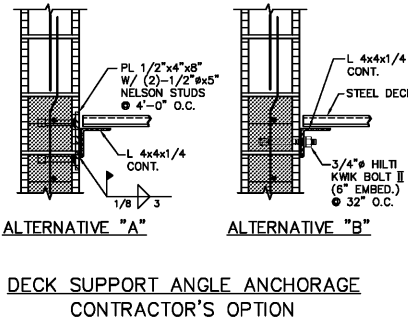
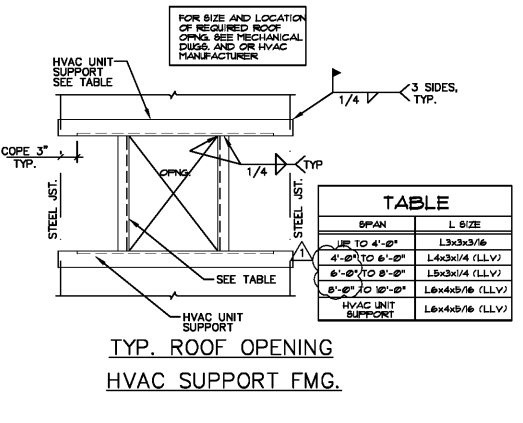
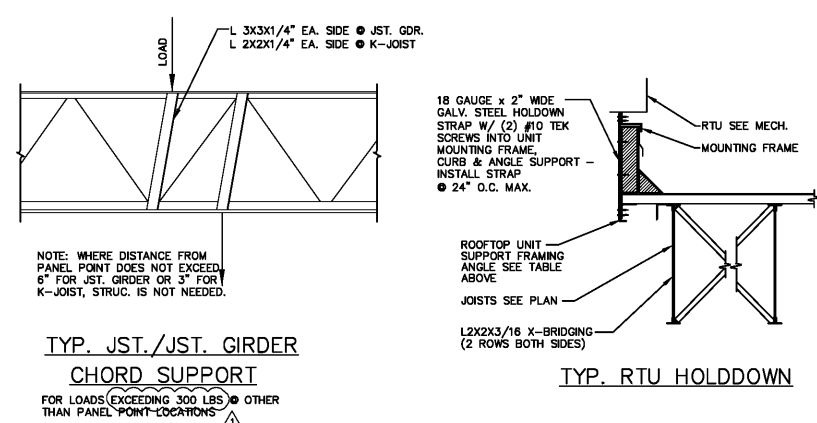
US 301 & FORT HAMER RD.
PARRISH, FL
34219

PROJECT NO: 2018.0891
DATE: FEBRUARY 26, 2019

S4.1

STRUCTURAL SECTIONS

CHECKED: BM DRAWN: RED



NOTES:

- PRECAST LINEL BY CASTCRETE CORPORATION OR APPROVED EQUAL
- PRECAST LINEL PER MANUFACTURER RECOMMENDATIONS.
- SEE THE ARCHITECTURAL DRAWINGS FOR SIZE AND LOCATION OF ALL OPENINGS.
- PROVIDE 8" MINIMUM BEARING EACH END.

