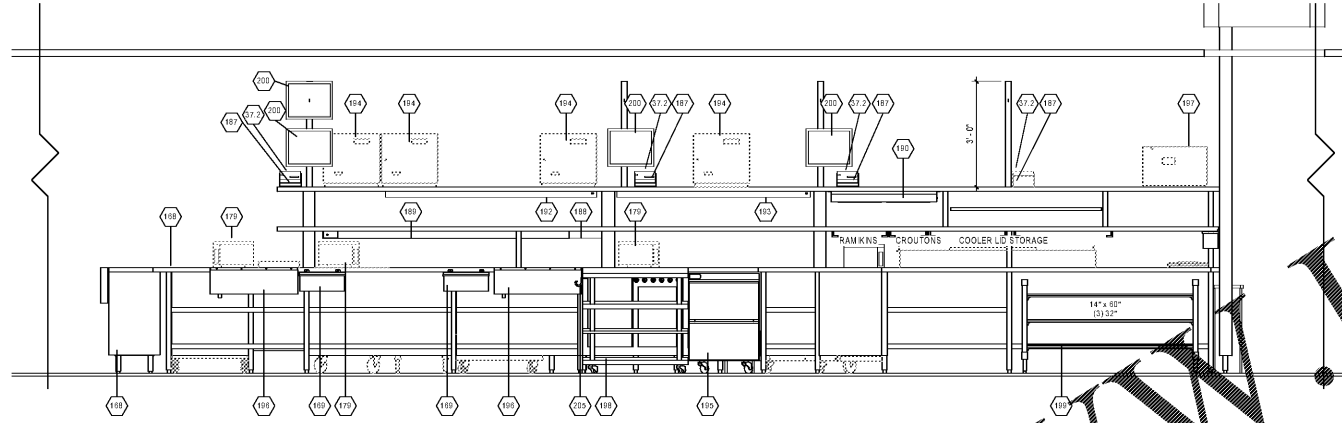
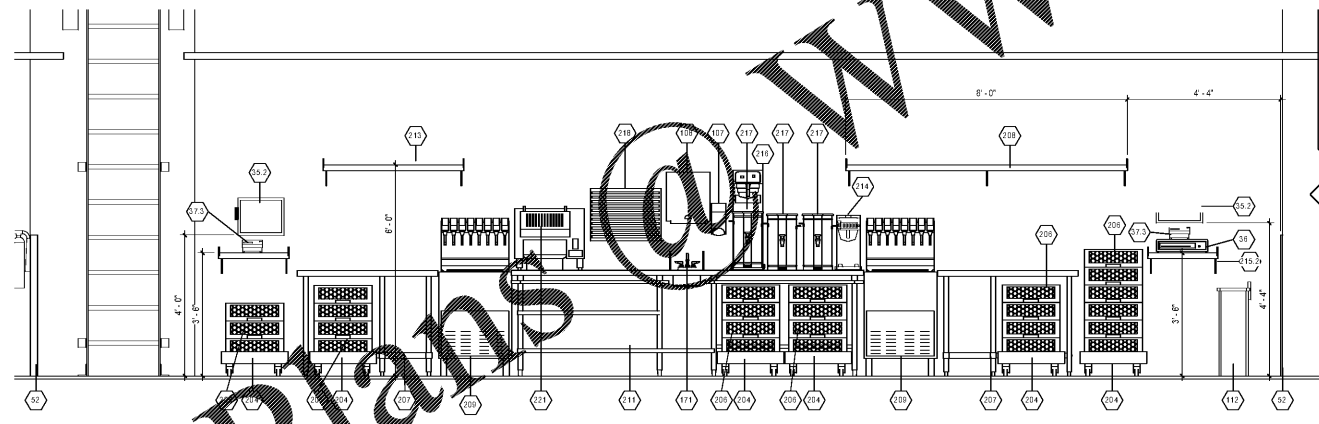


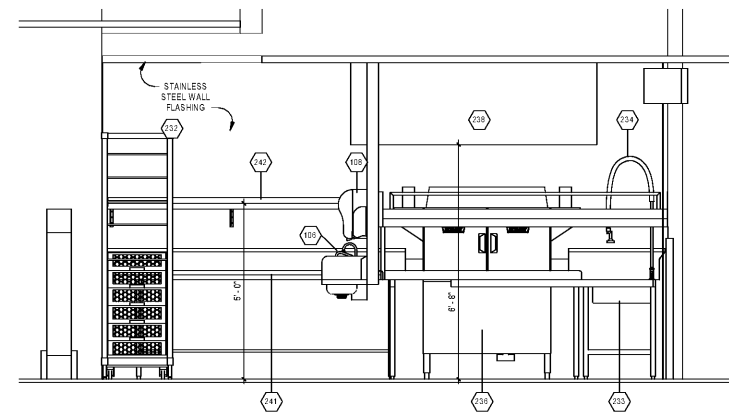
8 ELEVATION AT WAREWASH AND CHEF COUNTER (CHEF SIDE)  
FS503 1/2" = 1'-0"



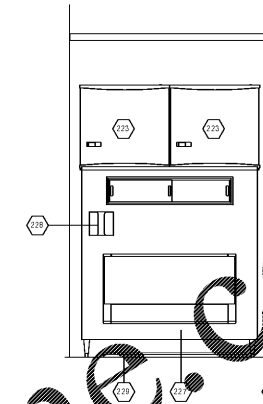
9 ELEVATION AT CHEF COUNTER (SERVER SIDE)  
FS503 1/2" = 1'-0"



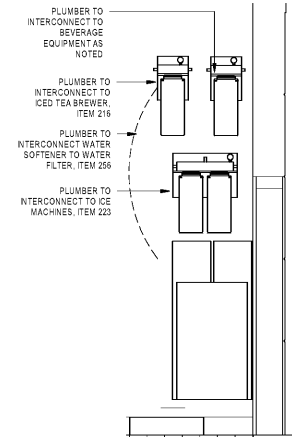
11 ELEVATION AT BEVERAGE COUNTER  
FS503 1/2" = 1'-0"



12 ELEVATION AT WAREWASH  
FS503 1/2" = 1'-0"



13 ELEVATION AT ICE MACHINE  
FS503 1/2" = 1'-0"



16 ELEVATION AT WATER FILTERS  
FS503 1/2" = 1'-0"

PLUMBER TO INTERCONNECT TO BEVERAGE EQUIPMENT AS NOTED

PLUMBER TO INTERCONNECT TO ICED TEA BREWER, ITEM 216

PLUMBER TO INTERCONNECT WATER SOFTENER TO WATER FILTER, ITEM 256

PLUMBER TO INTERCONNECT TO ICE MACHINES, ITEM 223

**OUTBACK**  
STEAKHOUSE®

Mark S. Salopek, LLC

3638 West Galloway Drive  
Richfield, OH 44286  
330.572.2112 330.572.2102

BLOOMIN BRANDS

HIALEAH, FL - OUTBACK STEAKHOUSE  
1751 W 48TH STREET  
HIALEAH, FLORIDA 33012

SHEET ISSUE:  
OUT TO PERMIT: 3/21/19

PRINCIPAL IN CHARGE: MS  
PROJECT ARCHITECT: MS  
DRAWN BY: TDO

SHEET TITLE:  
FOODSERVICE  
EQUIPMENT  
ELEVATIONS

SHEET NO. PROJ. NO.  
2018201.29

FS503

Order Plans @ WWW.LDILine.com