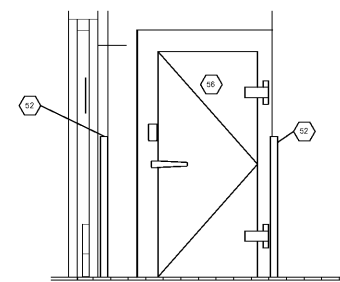
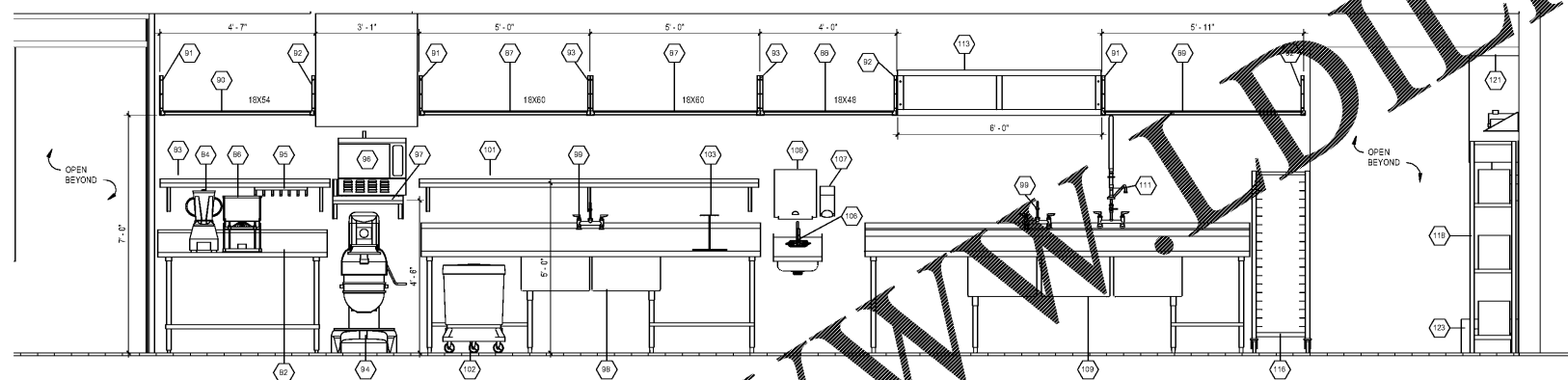


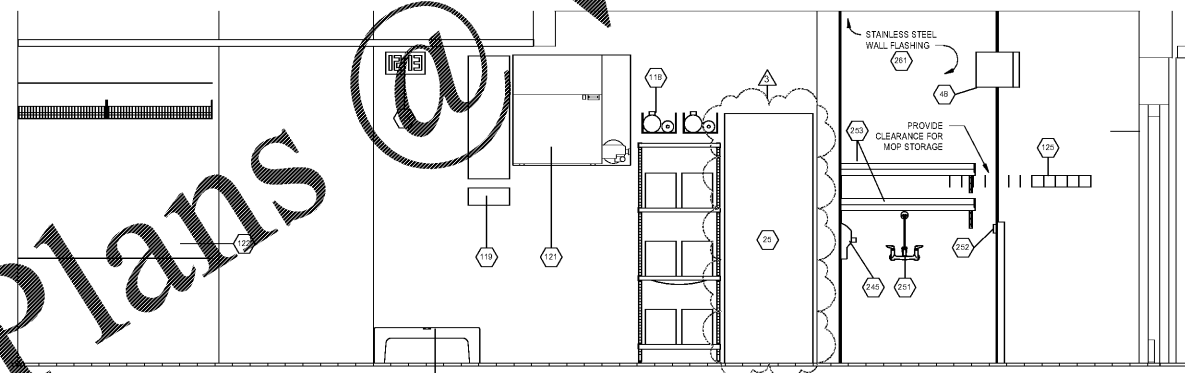
1 ELEVATION AT DRY STORAGE
FS502 1/2" = 1'-0"



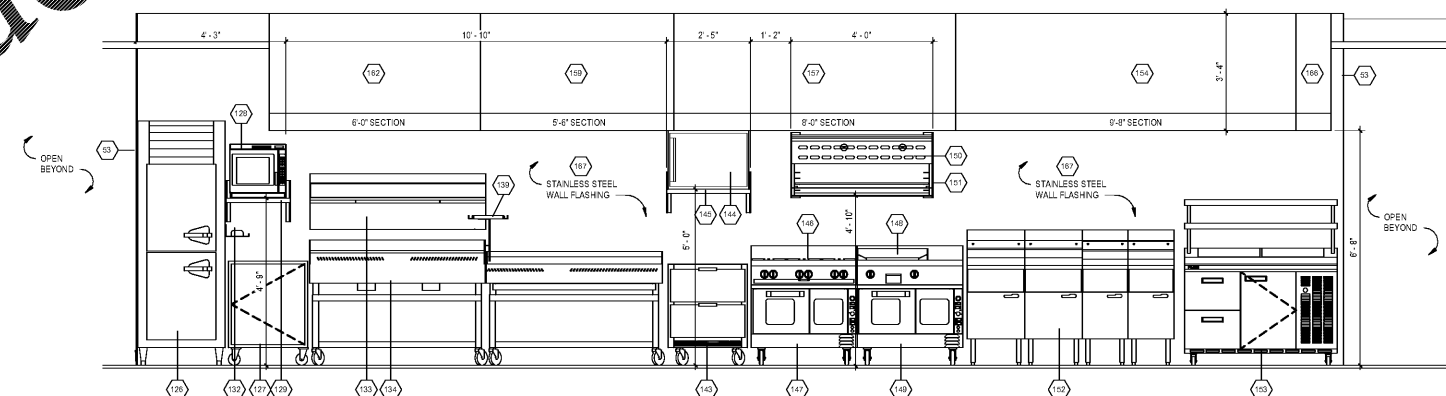
2 ELEVATION BEER COOLER EXTERIOR
FS502 1/2" = 1'-0"



3 ELEVATION AT PREP
FS502 1/2" = 1'-0"



4 ELEVATION AT UTENSIL STORAGE, BAG-N-BOX, AND MOP SINK
FS502 1/2" = 1'-0"



5 ELEVATION AT COOKLINE AND CLEAN STORAGE
FS502 1/2" = 1'-0"

OUTBACK
STEAKHOUSE[®]

Mark S. Salopek, LLC

3638 West Galloway Drive
Richfield, OH 44286
330.572.2112 330.572.2102

BLOOMIN' BRANDS
HIALEAH, FL - OUTBACK STEAKHOUSE
1751 W. 40TH STREET
HIALEAH, FLORIDA 33012

SHEET ISSUE
OUT TO PERMIT: 3/21/19
3 3/17/19 Revision 3

PRINCIPAL IN CHARGE: MS
PROJECT ARCHITECT: MS
DRAWN BY: TDO

SHEET TITLE
**FOODSERVICE
EQUIPMENT
ELEVATIONS**

SHEET NO. PROJ. NO.
2019231.20

FS502

Order Plans @ WWW.LDILine.com