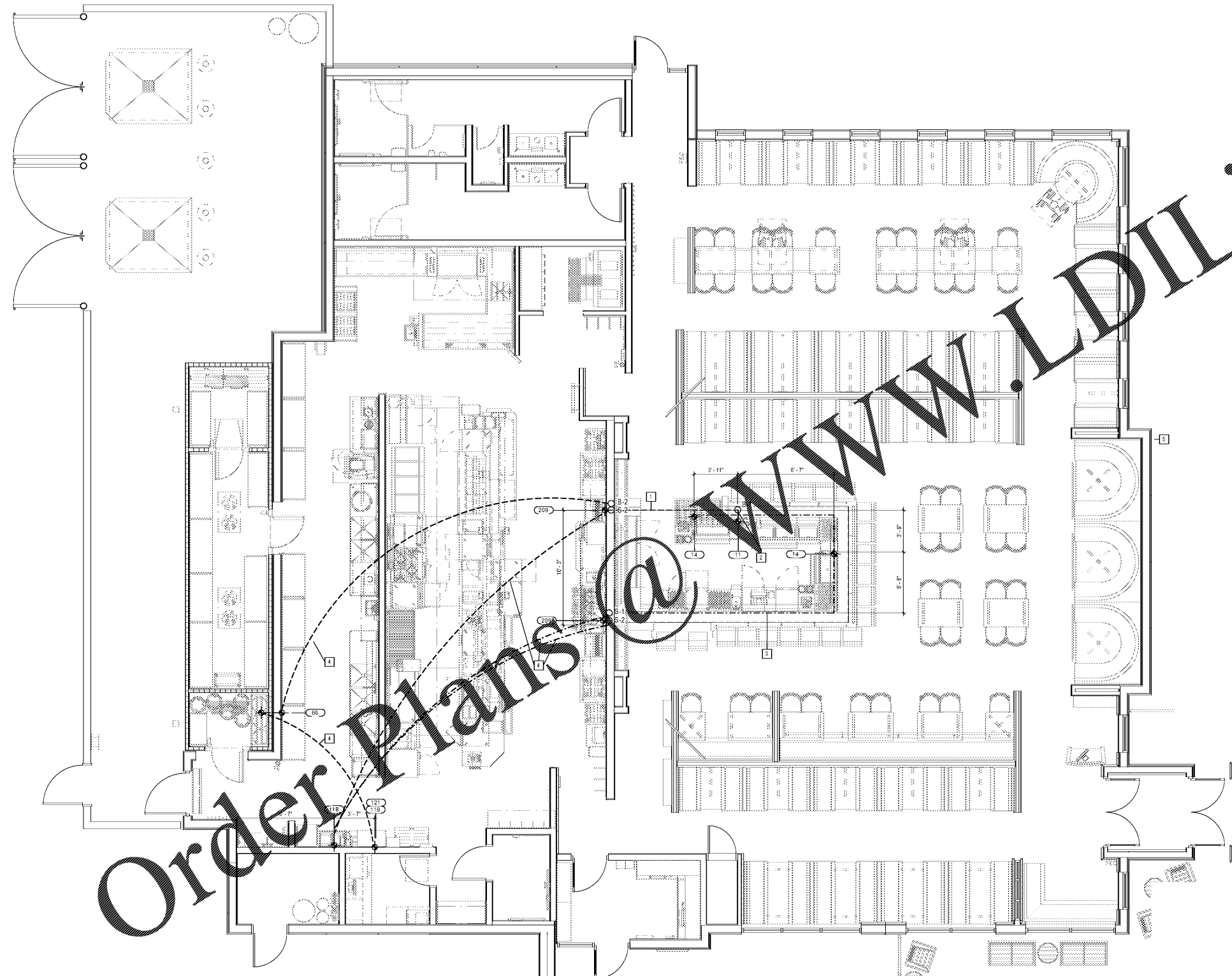
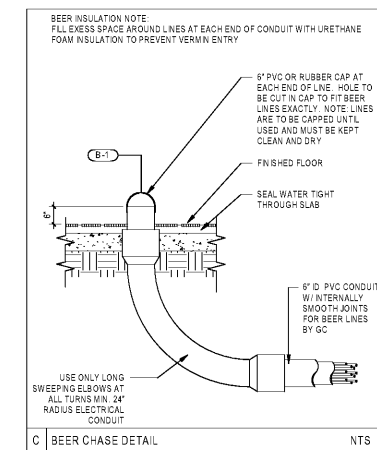
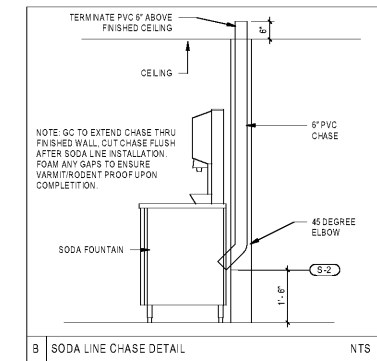
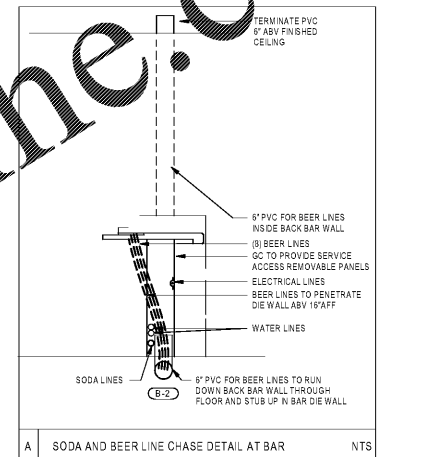
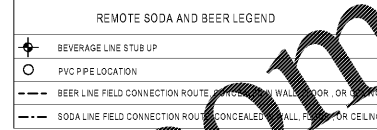


SODA AND BEER CHASE NOTES:

- S-1 6" PVC PPE STUB-OUT THRU WALL @ 15" AFF TO CENTER OF PPE SEE DETAIL "A"
- S-2 6" PVC PPE STUB-OUT THRU WALL @ 18" AFF TO CENTER OF PPE SEE DETAIL "B"
- B-1 8" PVC PPE STUB-OUT THRU FLOOR TO 6" AFF - CONNECT BEER CONDUITS TO BEER FAUCET TOWER - SEE DETAIL "C"
- B-2 6" PVC PPE STUB-OUT FROM CEILING DOWN THRU WALL INTO FLOOR - SEE DETAIL "A"

SHEET KEYNOTES

1. BEER LINE CHASE ROUGH-IN UNDER FLOOR AND STUB UP IN BAR DIE WALL, SEE DETAIL "A"
2. BEER LINE CHASE TO BE CONCEALED IN BAR DIE WALL
3. SODA LINE CHASE TO BE CONCEALED IN BAR DIE WALL
4. ROUTE LINES FROM ABOVE
5. DIM TO EDGE OF SLAB



FOODSERVICE EQUIPMENT SODA/BEER LINE DETAIL PLAN

FS203 1/4" = 1'-0"

SODA AND BEER REQUIREMENTS SCHEDULE

ITEM #	DESCRIPTION	QTY	EA/LEFT	MANUFACTURER	MODEL	BY/OUT	BY OWNER	BY OTHER	SODA AND BEER REMARKS	COMMENTS
11	BEER TOWER (8 TAPS)	1	EA	MICRO MATIC USA	ME 110 T DISPENSER				INTERCONNECT TO SODA SYSTEM, ITEM 118. REFER TO SODA AND BEER LINE DETAIL (A)	BY SODA VENDOR
14	SODA DUN	2	EA	WUNDERBAR				X	ROUTE BEER LINES OVERHEAD AND INTERCONNECT TO BEER SYSTEM, ITEM 118 AND 121	BY SODA VENDOR
16	KIOSK	16	EA					X	ROUTE SODA LINES OVERHEAD AND INTERCONNECT TO SODA DISPENSERS, ITEMS 11 AND 209	BY SODA VENDOR
118	SODA BOX SODA SYSTEM	1	EA	MCCANN				X	ROUTE BEER LINES OVERHEAD AND INTERCONNECT TO BEER TOWER, ITEM 11	BY PURVEYOR
119	BEER TOWER SYSTEM	1	EA	MICRO MATIC USA	S 200			X	ROUTE BEER LINES OVERHEAD AND INTERCONNECT TO BEER TOWER, ITEM 11	BY PURVEYOR
121	REMOTE BEER COOLING SYSTEM	1	EA	MICRO MATIC USA	IMP 1000			X	ROUTE BEER LINES OVERHEAD AND INTERCONNECT TO BEER TOWER, ITEM 11	BY PURVEYOR
209	ICE COOLED DROP IN DISPENSER	2	EA	LANCER	ED 200			X	INTERCONNECT TO SODA SYSTEM, ITEM 118. REFER TO SODA LINE CHASE DETAIL (B)	BY SODA VENDOR, WITH BASE



Mark S. Salopek, LLC
 3638 West Galloway Drive
 Richfield, OH 44286
 330.572.2112 330.572.2102

BLOOMIN BRANDS
HIALEAH, FL - OUTBACK STEAKHOUSE
 1751 W 48TH STREET
 HIALEAH, FLORIDA 33012

SHEET ISSUE:
 OUT TO PERMIT: 3/21/19

PRINCIPAL IN CHARGE: MS
 PROJECT ARCHITECT: MS
 DRAWN BY: TDD

SHEET TITLE:
FOODSERVICE SODA/BEER LINE DETAILS

SHEET NO. PROJ. NO.
 2018201 29

FS203