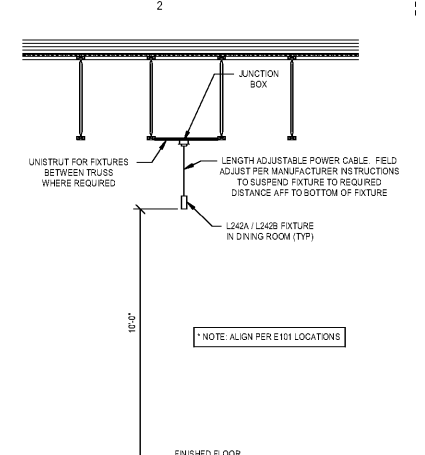
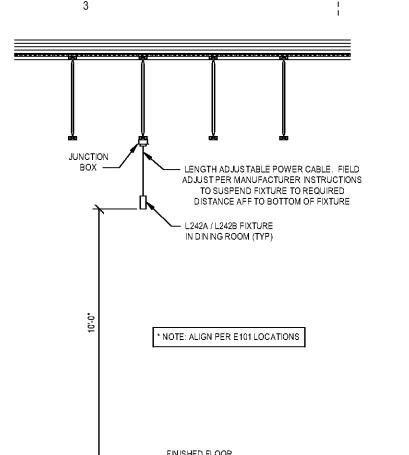


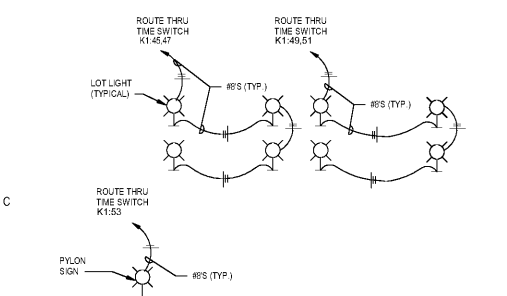
D1 LIGHT- DINING ROOM OPEN CEILING
E301 NTS



D2 LIGHT- DINING ROOM CYLINDAR PENDANT OPEN CEILING 1
E301 NTS

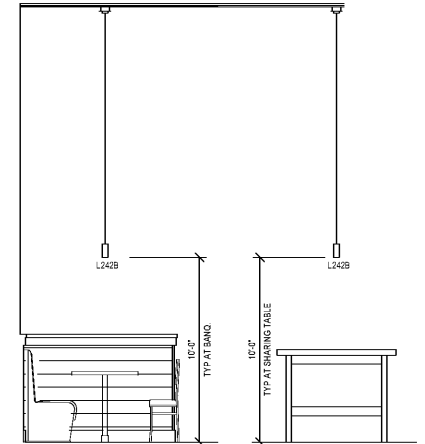


D3 LIGHT- DINING ROOM CYLINDAR PENDANT OPEN CEILING 2
E301 NTS

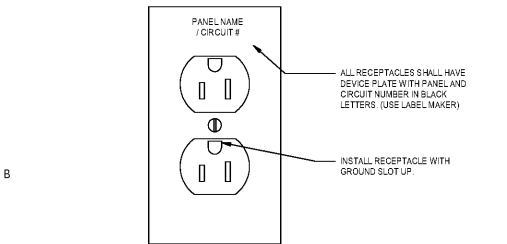


NOTE: LOT LIGHT CIRCUITING IS FOR REFERENCE ONLY AND CONTRACTOR IS RESPONSIBLE TO CONFIRM SCOPE OF WORK WITH BB'S DPM AND CPM.

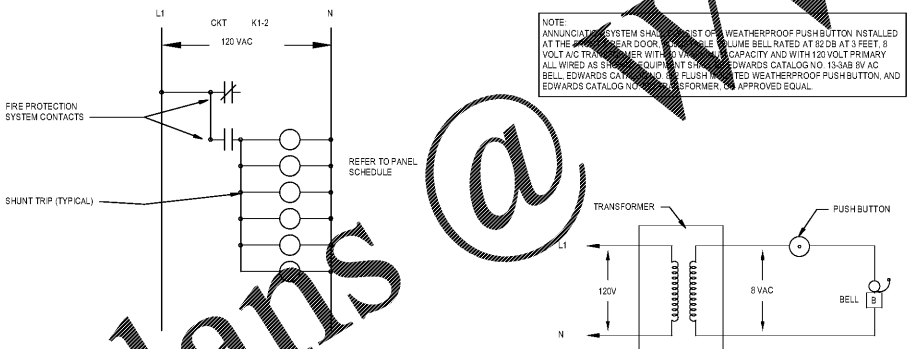
C1 SITE LIGHTING SCHEMATIC (IF APPLIES TO THIS SITE)
E301 NTS



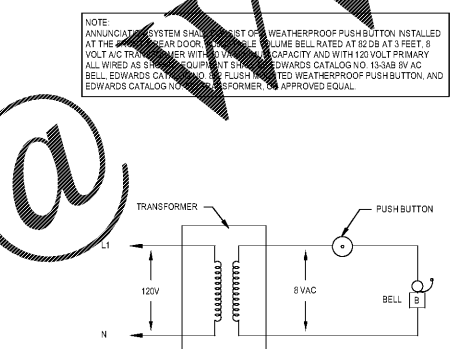
C2 LIGHT - FREE SEATING HEIGHTS
E301 NTS



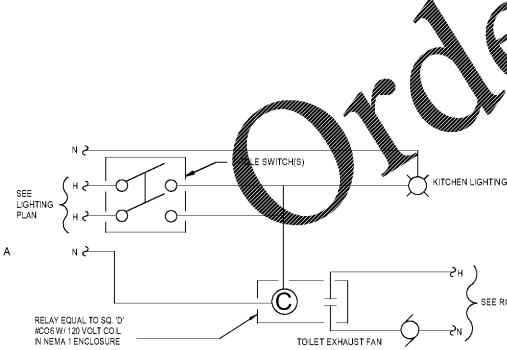
B1 RECEPTACLE LABELING
E301 NTS



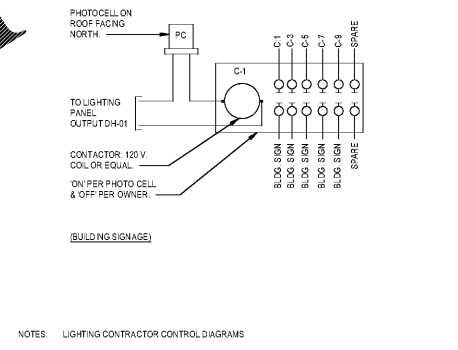
B2 HOOD FIRE SUPPRESSION CONTROL DIAGRAM
E301 NTS



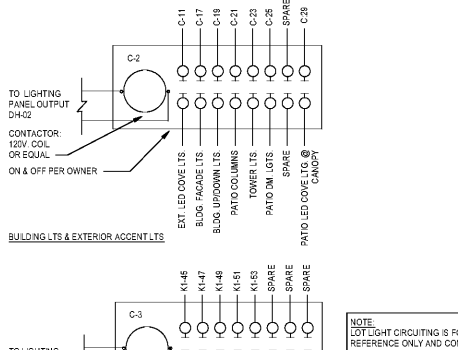
B3 DELIVERY DOOR ANNUNCIATOR
E301 NTS



A1 RESTROOM LIGHTING & EXHAUST FAN
E301 NTS



A2 LIGHTING CONTROL DIAGRAMS
E301 NTS



A3 LIGHTING CONTROL DIAGRAMS
E301 NTS

Order Plans

WWW.LDILine.com



BLOOMIN BRANDS
OUTBACK STEAKHOUSE
1751 W 49TH STREET
HALEAH, FLORIDA 33012

SHEET ISSUE
OUT TO PERMIT:

PRINCIPAL IN CHARGE: JC
PROJECT ARCHITECT: MS
DRAWN BY: BM
SHEET TITLE: ELECTRICAL DETAILS

SHEET NO: E301
PROJ. NO: 2018231.50