

GENERAL NOTE
P.C. TO MOUNT DRAIN SUPPORT BRACKETS TO CUSTOM FAB CROSS-RAILS IF AVAILABLE. AS PREFERENCE TO MOUNTING SUPPORT BRACKETS INTO SLKAL FLOORS.

OUTBACK
STEAKHOUSE

GPD GROUP, INC.
LIC. # 39924

BLOOMING BRANDS
HIALEAH, FL - OUTBACK STEAKHOUSE
1751 W 49TH STREET
HIALEAH, FLORIDA 33012

SHEET ISSUE

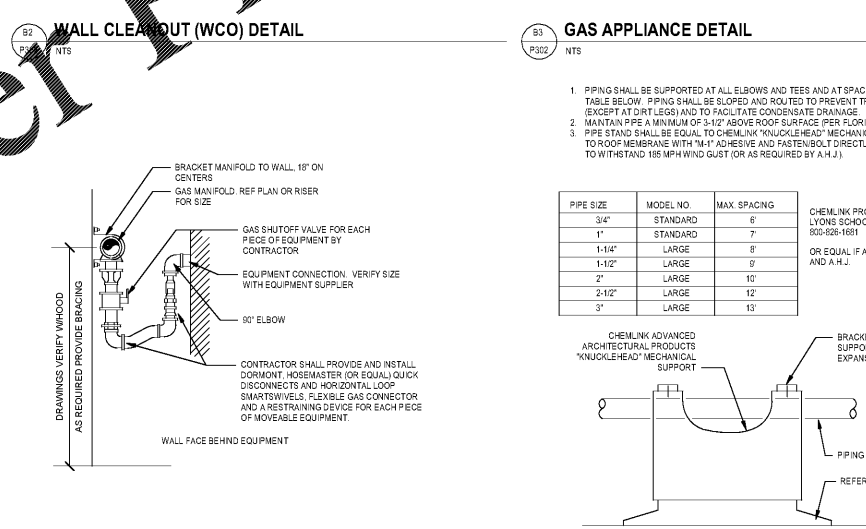
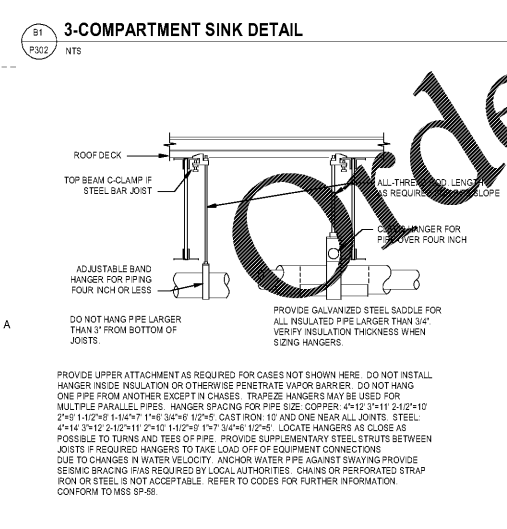
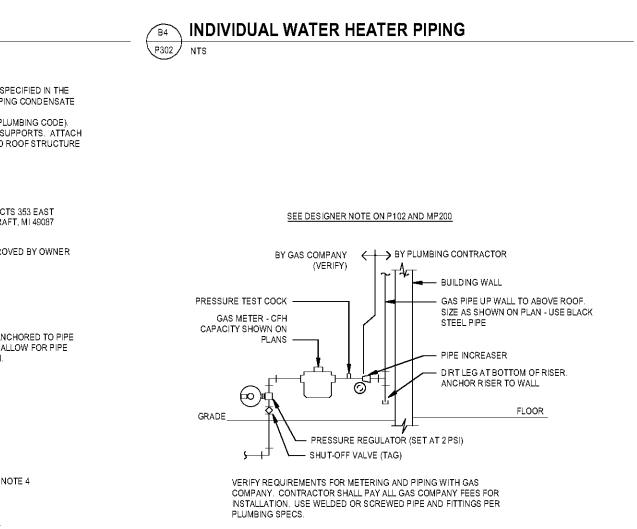
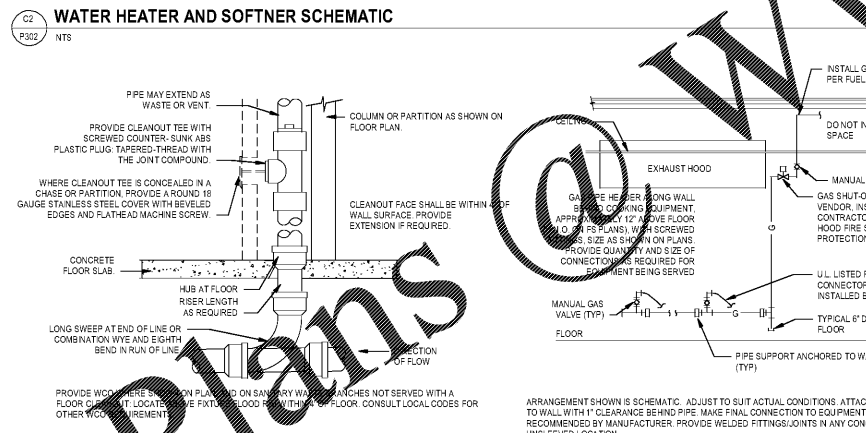
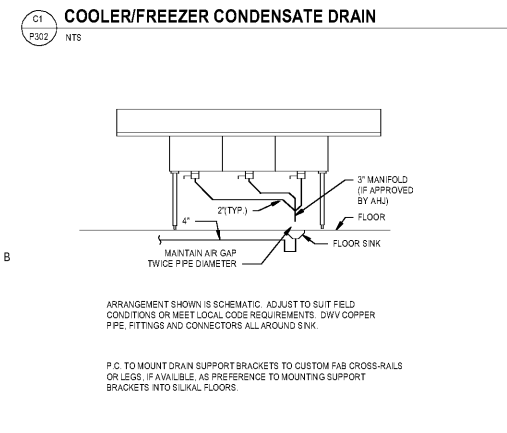
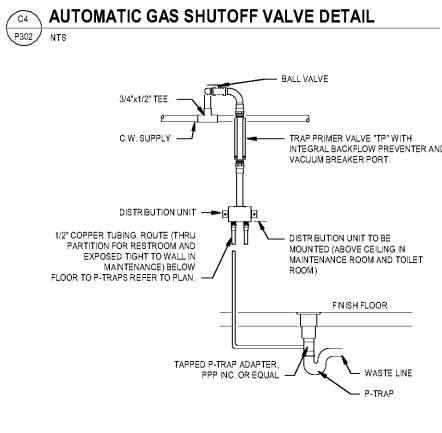
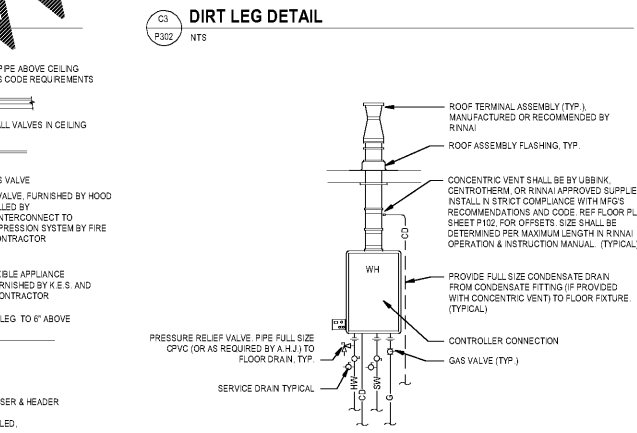
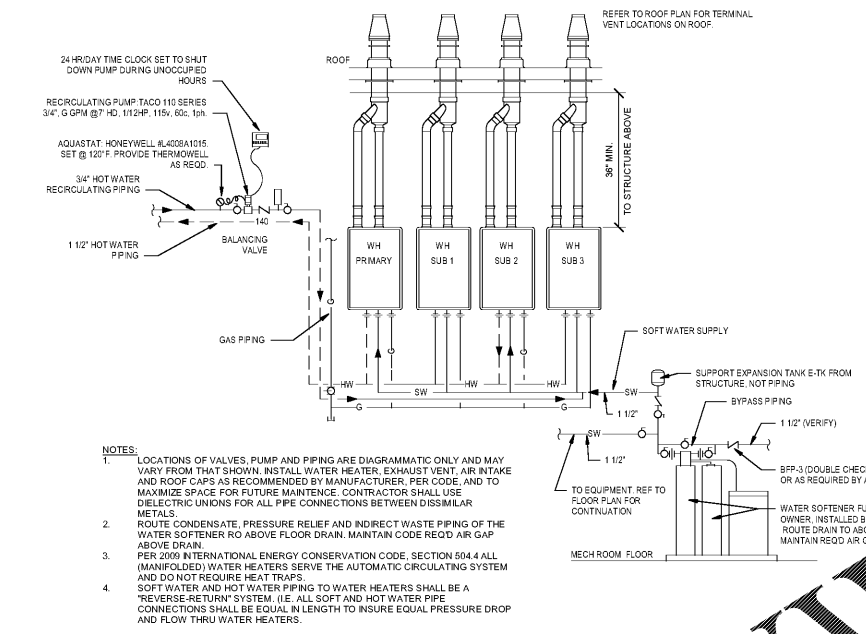
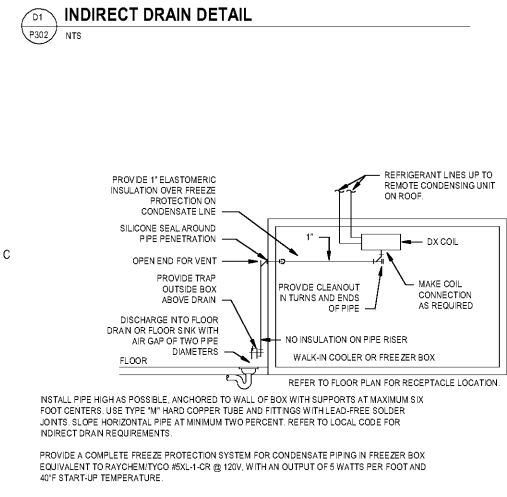
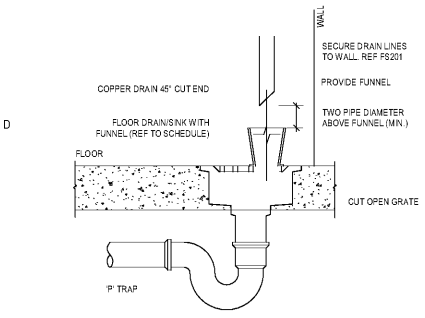
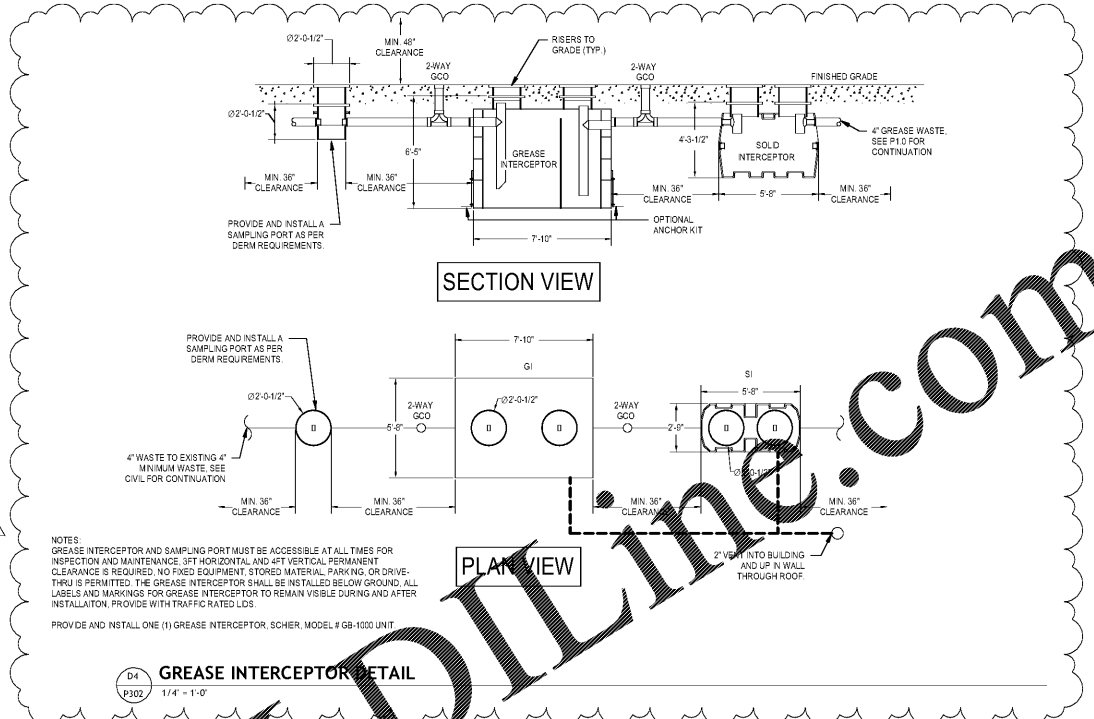
OUT TO PERMIT:	03/21/19
1	05/06/19 Revision #1
2	05/30/19 Revision #2
3	06/17/19 Revision #3

PRINCIPAL IN CHARGE: JC
PROJECT ARCHITECT: MS
DRAWN BY: TH

SHEET TITLE
PLUMBING DETAILS

SHEET NO. P302
PROJ. NO. 2018231.20

P302



Order Plans

www.weldline.com

DWGNO: 1910117.PW 08/20/2018 10:46:41 AM 2018/08/20 10:46:41 AM