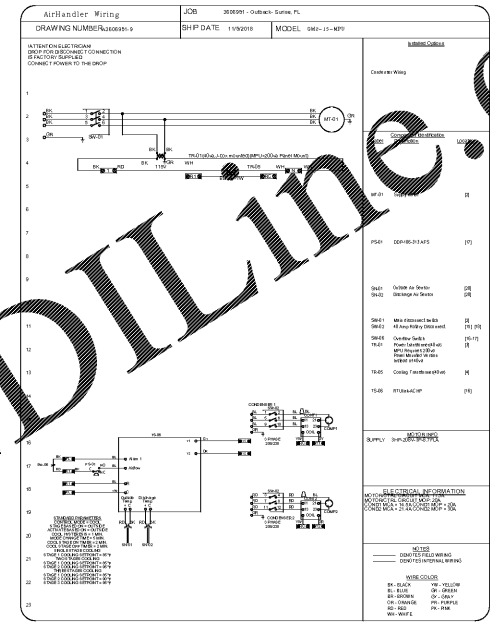
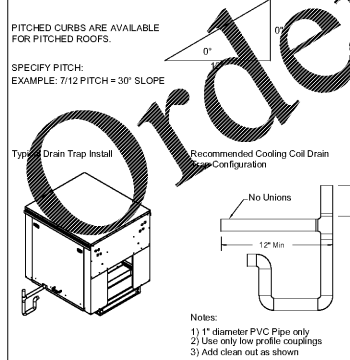
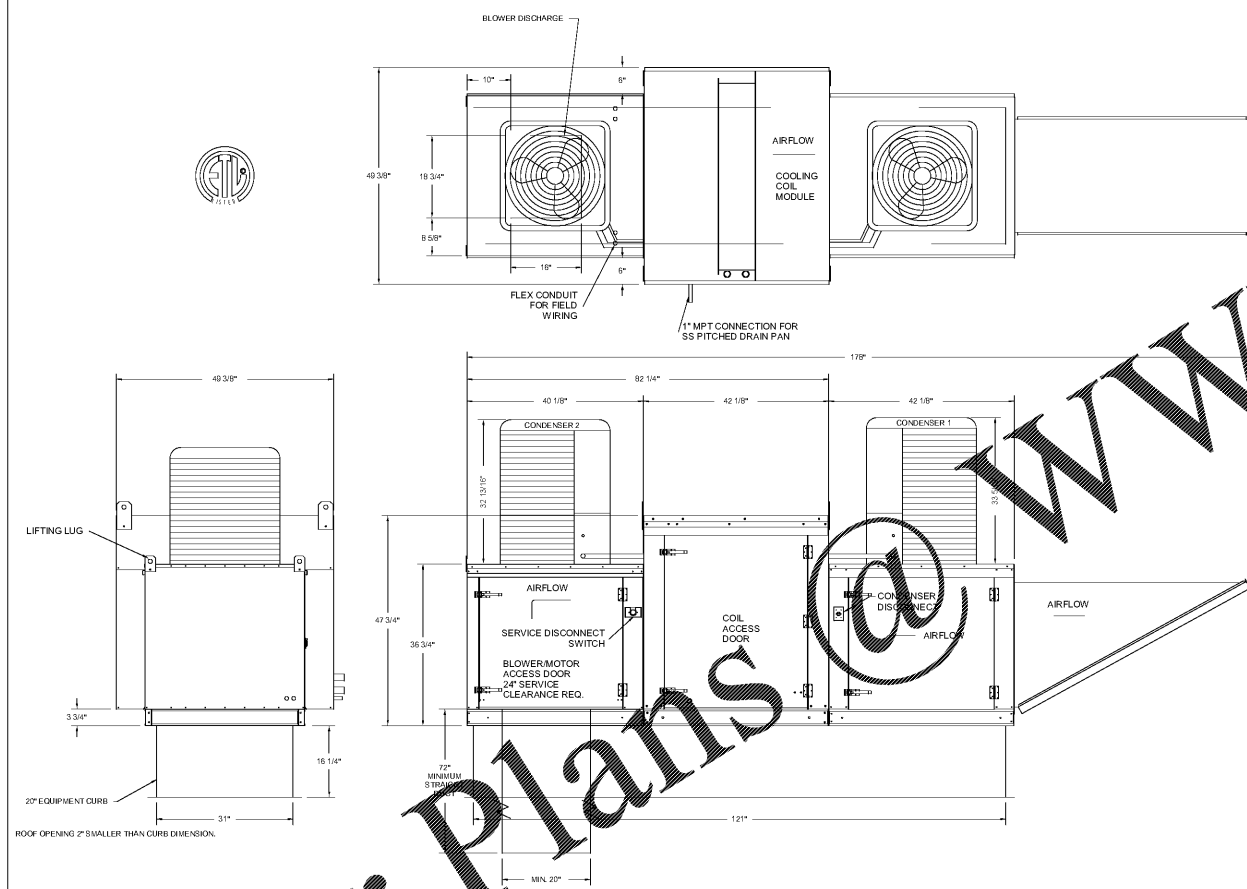


KITCHEN HOODS (HOOD MAKE-UP AIR FANS AND EXHAUST FANS) ARE PROVIDED BY THE OWNER/KITCHEN DESIGNER. QUESTIONS REGARDING INSTALLATION REQUIREMENTS OR COORDINATION SHALL BE DIRECTED TO DAVID BREIDT WITH GREASEMASTER, (888) 909-9233 X13.

FAN # GM2-15-MFU - SUPPLY FAN (MUA-1)
 1. SUPPLY UNIT WITH 15" BLOWER IN SIZE #2 HOUSING
 2. INLINE HOOD WITH 2 FAN TRAYS
 3. DOWN DISCHARGE - AIR FLOW RIGHT = LEFT
 4. FULL CRATING FOR UNTEMPERED FANS FOR SHIPPING
 5. EXTRA SET OF V-BELTS, ONLY TO BE ORDERED AS AN OPTION AT THE TIME THE FAN IS ORDERED.
 6. GRAVITY BACK DRAFT DAMPER 22" X 24", 5 STANDARD GALVANIZED CONSTRUCTION, 1 1/4" REAR FLANGE, FOR SIZE 2 UNTEMPERED FAN HOUSING (5192)
 7. 5 TON, DUAL CIRCUIT (25) MODULAR PACKAGED COOLING OPTION FOR SIZE 2 MODULAR PACKAGED UNIT, INCLUDES CONDENSER, COIL, FIBER REFRIGERANT KIT, THERMAL EXPANSION VALVE, R410A REFRIGERANT, AND REFRIGERANT PIPING, (2,200 TO 4,300 CFM); NOT BUILT WITH OPPOSITE SIDE CONTROLS OR OPPOSITE AIRFLOW DIRECTION. CONDENSERS REQUIRE SEPARATE 208V, 3-PHASE POWER SUPPLY UNLESS ORDERED WITH SINGLE POINT CONNECTION. COIL = 36211010
 8. INSULATED BLOWER HOUSING SIZE 1-2 COMMERCIAL MODULAR
 9. COOLING PACKAGE FOR HOOD PACKAGE UNIT COOLING ONLY UNIT, INCLUDES AIRFLOW PROVING SWITCH, RTU/INK-ACHP BOARD AND TERMINAL BLOCKS
 10. SUPPORT SHELL FOR SIZE 2 MODULAR PACKAGE UNIT, INCLUDES CONTROL VESTIBULE, INCLUDES CONDENSER SUPPORTS. DOES NOT INCLUDE RE-BURN AIR OR INLET AIR DAMPER.
 11. SIZE 2 SHORTURE ELIMINATOR OPTION FOR DUAL COIL, VIBES AND CHILLED WATER COILS - ALLOWS COOLING COIL FACE VELOCITY TO INCREASE TO 650 FPM, INCREASES COOLING COIL MAX CFM TO 6000 CFM.
 12. MIAMI DADE IMPACT AND WIND LOAD CRITERION +30 / -130 PSF - MIAMI DADE COUNTY PRODUCT CONTROL APPROVED, FLORIDA BUILDING CODE APPROVAL. ROOF VENT EXHAUST CURBS UP TO 27" HIGH MUST BE 1/8 GAUGE ALUMINUM.
 NOTE: SUPPLY DUCT MUST BE INSTALLED TO MEET SMACNA S STANDARDS, A MINIMUM 5' STRAIGHT DUCT LENGTH MUST BE MAINTAINED DOWNSTREAM OF UNIT DISCHARGE UNLESS OTHERWISE SPECIFIED. DO NOT RELY ON UNIT TO SUPPORT DUCT IN ANY WAY. FAILURE TO PROPERLY SIZE DUCTWORK MAY CAUSE SYSTEM EFFECTS AND REDUCE PERFORMANCE OF THE EQUIPMENT. SUGGESTED 5' STRAIGHT DUCT SIZE IS 20" x 20" x 72" LONG.



REVISIONS
 1. REVISED FOR MUA-1
 2. REVISED FOR MUA-1
 3. REVISED FOR MUA-1

GREASEMASTER
 608 MAINTENANCE HILL RD. STE 100, MATTHEWS, NC 28105
 704.844.8015
 WWW.GREASEMASTER.COM

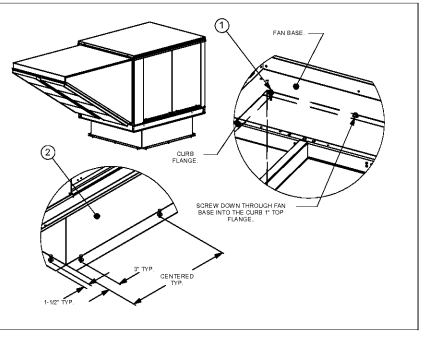
Miami-Dade NOA2

General Notes:
 1. This approval is for the structural capacity and impact rating of the exterior housing only; it does not include any interior mechanism or electrical part.
 2. These fans have not been wind tested for Wind Driven Rain Test per Florida Building Code; TAS100 (A)-05.
 3. Tested in accordance to Florida Building Code test protocol TAS201, TAS202, TAS203.
 4. Tested for areas including high velocity hurricane zones.
 5. Tested under Miami-Dade County Notification number ATH-08034.

DESIGN PRESSURE: +30.0 / -130.0 PSF
 LARGE MISSILE IMPACT RESISTANT

Miami-Dade - Steel Supply Fan - NOA2

Installation Instructions:
 1. Secure the fan base to the top of the curb using a minimum of (12) 1/4"-14 x 1" self drilling screws (steel zinc plated) with a minimum spacing of 30" inches, secure through the fan base and into the curb.
 2. Secure the curb to the roof framing members by drilling 1/4" pilot holes in the curb flanges at locations shown in the diagram and using a minimum of (12) 3/8" x 2" (minimum embedment), zinc plated steel lag bolts and zinc plated washers, screw through curb flanges and into roof framing members with a maximum spacing 30".



DATE:
 DWG.#:
 DRAWN BY:
 SCALE:
 SHEET NO.:



BLOOMIN BRANDS
 HIALEAH, FL - OUTBACK STEAKHOUSE
 1751 W 49TH STREET
 HIALEAH, FLORIDA 33012

SHEET ISSUE
 OUT TO PERMIT: 03/21/19

PRINCIPAL IN CHARGE: JC
 PROJECT ARCHITECT: MS
 DRAWN BY: TH
 SHEET TITLE: HOOD DETAILS

SHEET NO. MH106
 PROJ. NO. 2018231.20