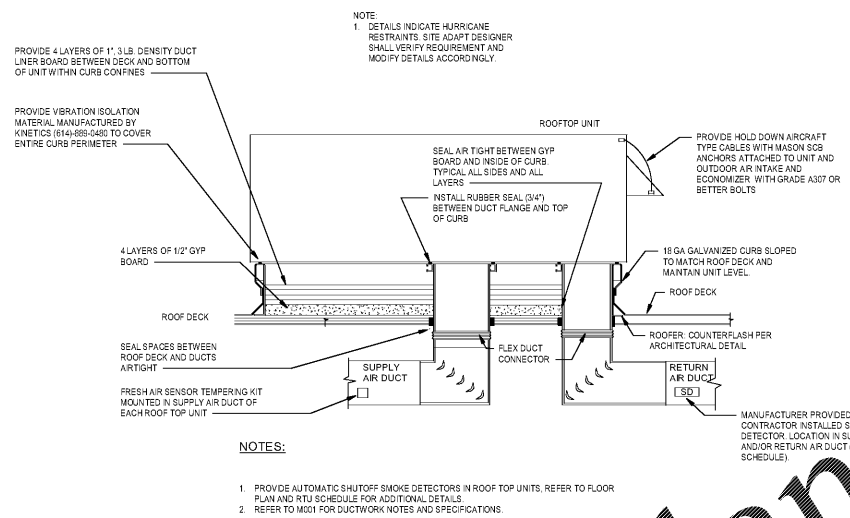
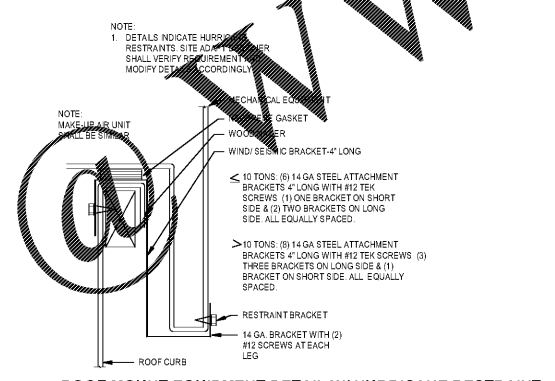


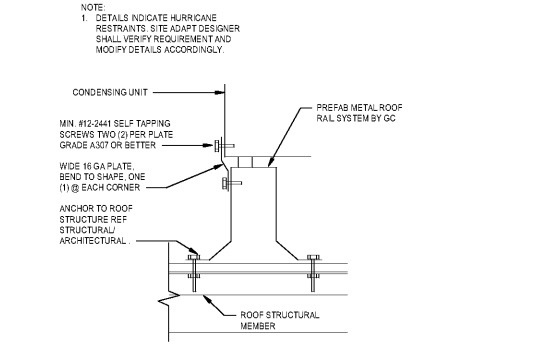
www.LDILine.com



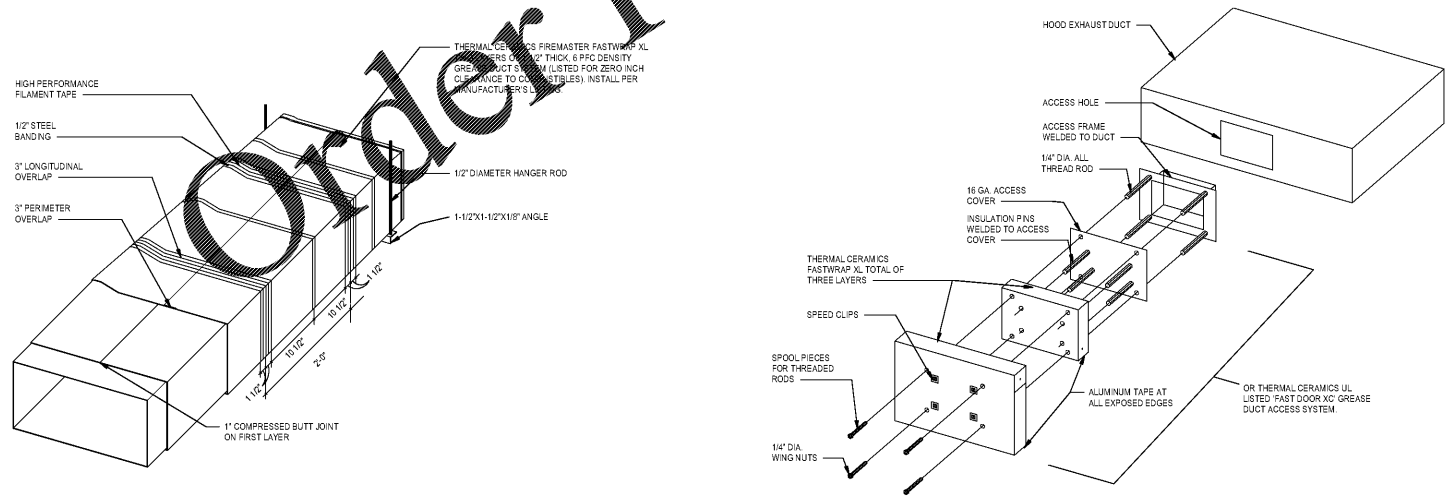
B1 ROOFTOP UNIT DETAIL
M202 NTS



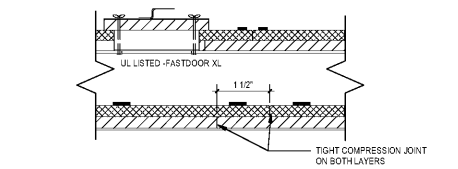
B2 ROOF MOUNT EQUIPMENT DETAIL W/ HURRICANE RESTRAINT
M202 NTS



B3 REFRIGERATION MOUNTING DETAIL W / HURRICANE RESTRAINT
M202 NTS



A1 GREASE DUCT WRAP DETAIL
M202 NTS



LISTED USES	AGENCY	LISTING	LAYERS
GREASE DUCT ENCLASURE PER ASTM E2536 AND AIAA112006, 2009, 2012 INC. (WFA/UL UMC, CMC)	UL ICC-ES	E119 E89 2213	2