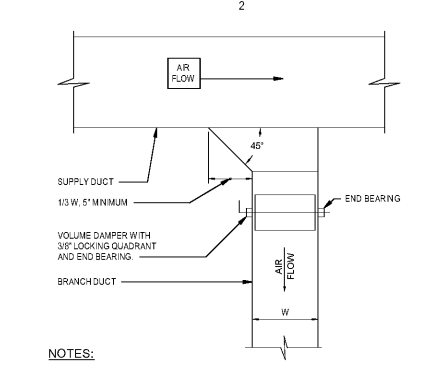
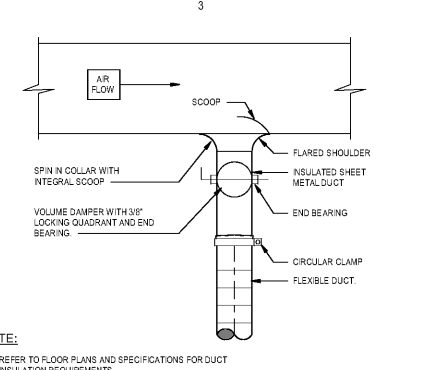


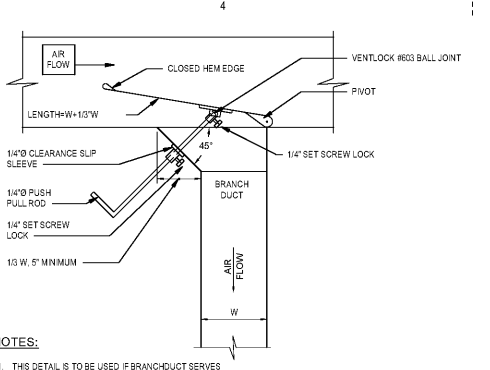
**D1 RECTANGULAR RETURN DUCT DETAIL**  
NTS



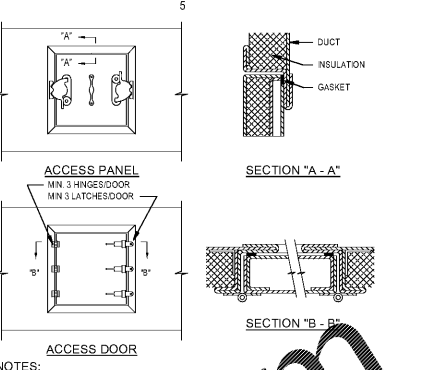
**D2 SQUARE DUCT DETAIL**  
NTS



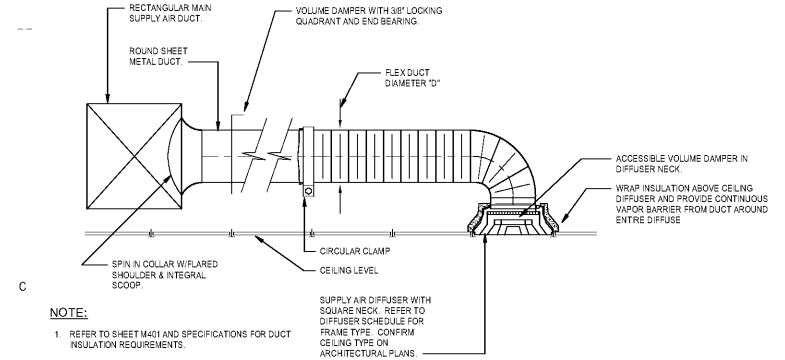
**D3 ROUND DUCT DETAIL**  
NTS



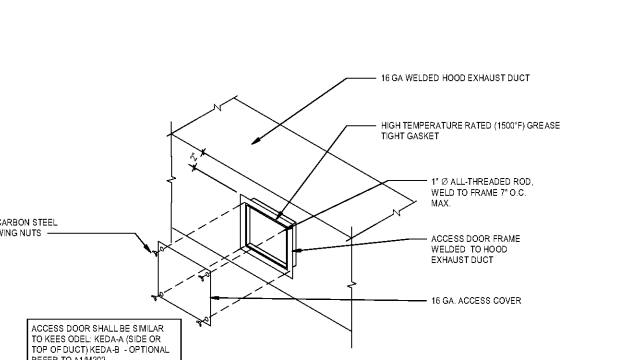
**D4 RECTANGULAR SUPPLY DUCT W/LINCH COLLAR**  
NTS



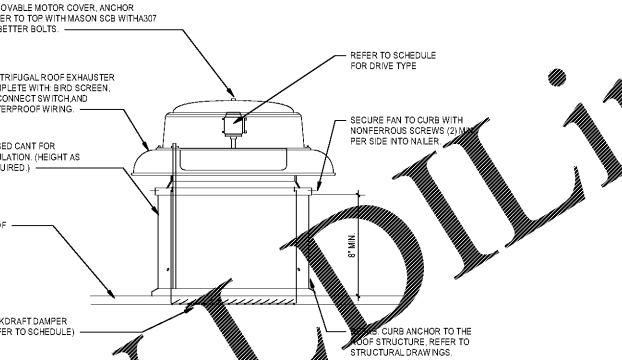
**D5 NON-GREASE DUCT ACCESS DOOR**  
NTS



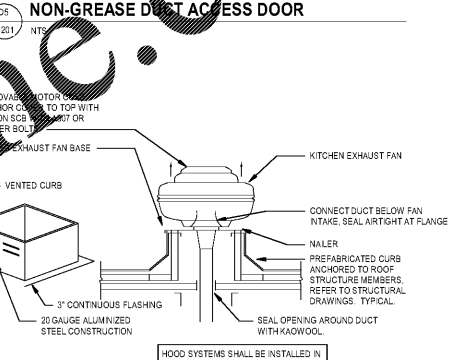
**C1 SUPPLY AIR DIFFUSER DETAIL**  
NTS



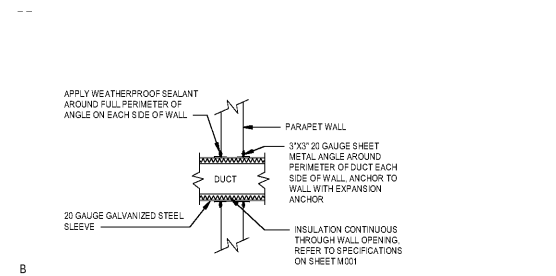
**C2 HOOD EXHAUST DUCT CLEANOUT**  
NTS



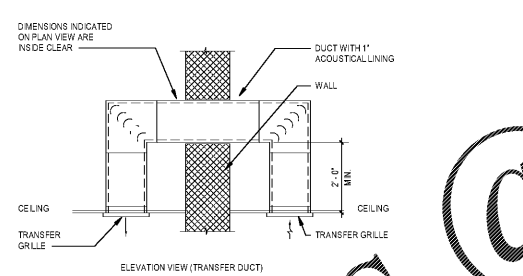
**C3 CENTRIFUGAL ROOF EXHAUST**  
NTS



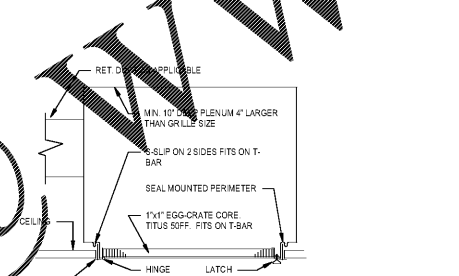
**C4 KITCHEN HOOD EXHAUST FAN**  
NTS



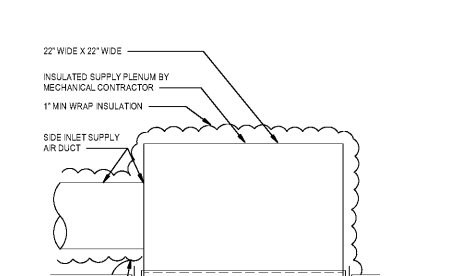
**B1 DUCT PENETRATION DETAIL (INTERIOR)**  
NTS



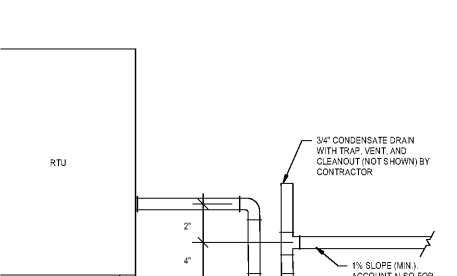
**B2 TRANSFER GRILL DETAIL**  
NTS



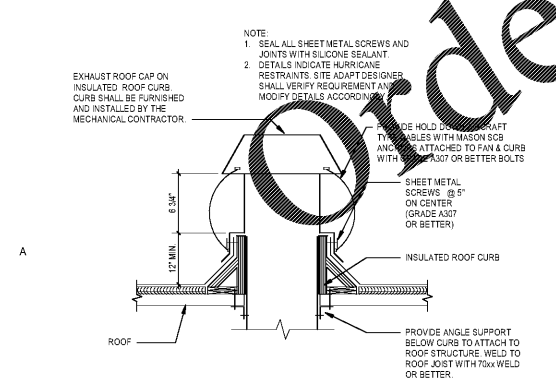
**B3 RETURN / EXHAUST GRILLE**  
NTS



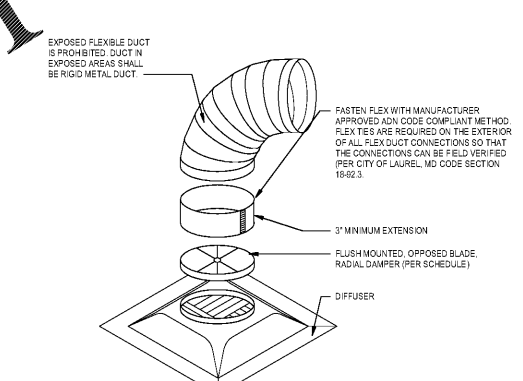
**B4 PERFORATED FACE SUPPLY GRILLE DETAIL**  
NTS



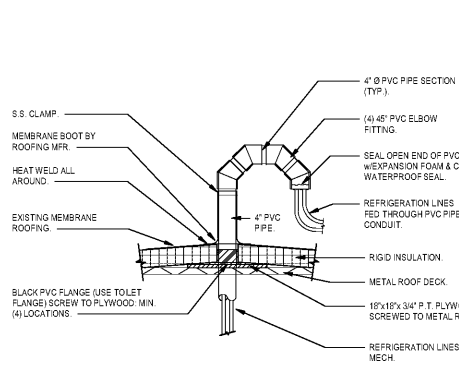
**B5 CONDENSATE DRAIN DETAIL**  
NTS



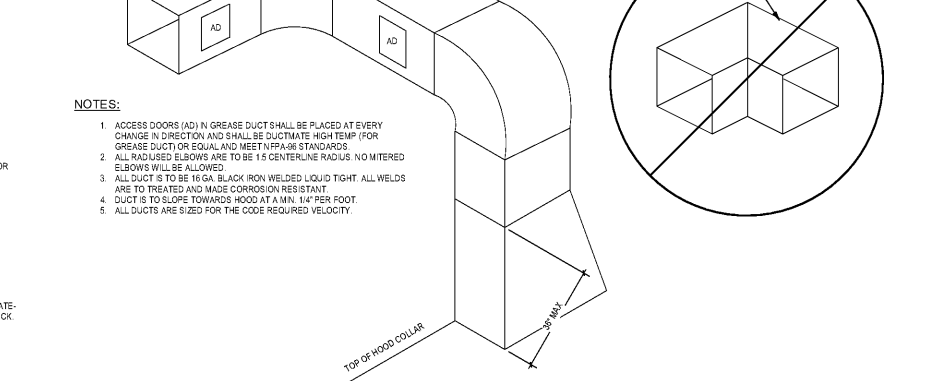
**A1 EXHAUST CAP DETAIL W/ HURRICANE RESTRAINT**  
NTS



**A2 TYPICAL DUCT CONNECTION DETAIL**  
NTS



**A3 TYPICAL REFRIGERANT PIPE ROOF DETAIL**  
NTS



**A4 TYPICAL GREASE DUCT DETAIL**  
NTS

**OUTBACK**  
STEAKHOUSE

**GPD GROUP INC.**  
LIC. # 30920

**BLOOMIN BRANDS**  
HIALEAH, FL - OUTBACK STEAKHOUSE  
1751 W 49TH STREET  
HIALEAH, FLORIDA 33012

SHEET ISSUE  
OUT TO PERMIT: 03/21/19

PRINCIPAL IN CHARGE: JC  
PROJECT ARCHITECT: MS  
DRAWN BY: TH  
SHEET TITLE: MECHANICAL DETAILS

SHEET NO: M201  
PROJ. NO: 2018231.20

**M201**