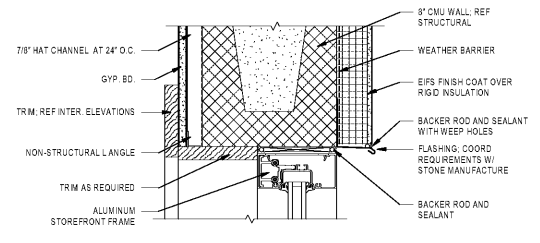
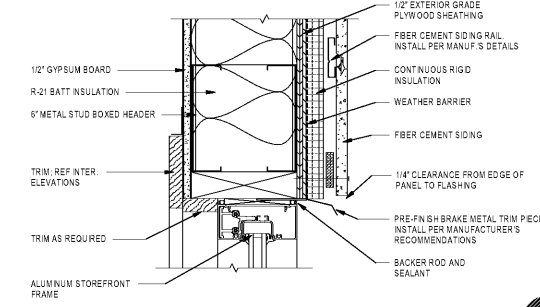


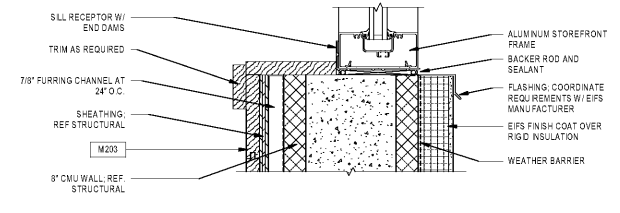
D2 WINDOW SILL @ FLOOR
A801 3' x 1'-0"



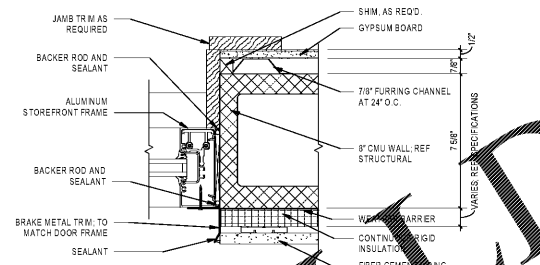
D3 EIFS AT CMU WINDOW HEAD
A801 3' x 1'-0"



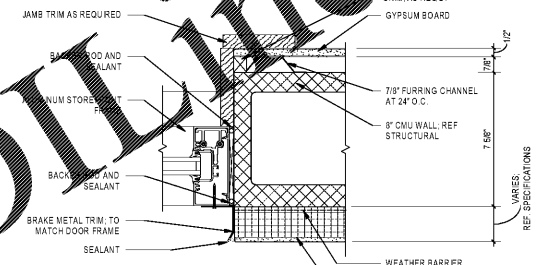
D4 FIBER CEMENT SIDING WINDOW HEAD
A801 3' x 1'-0"



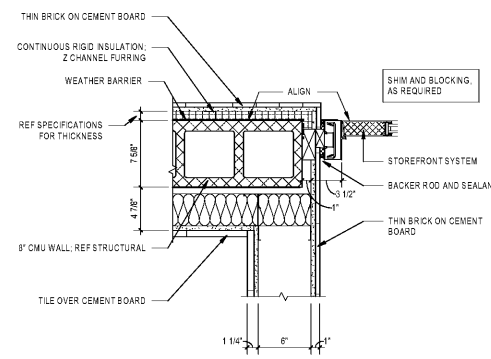
D5 EIFS WINDOW SILL
A801 3' x 1'-0"



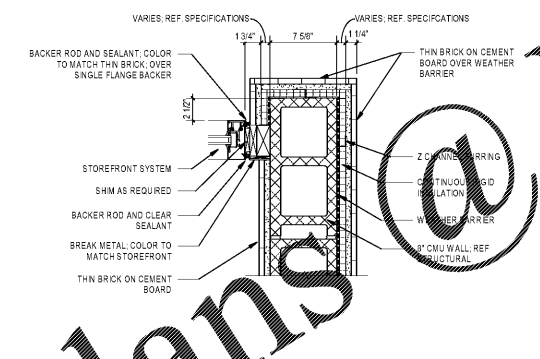
D6 WINDOW JAMB AT FIBER CEMENT SIDING
A801 3' x 1'-0"



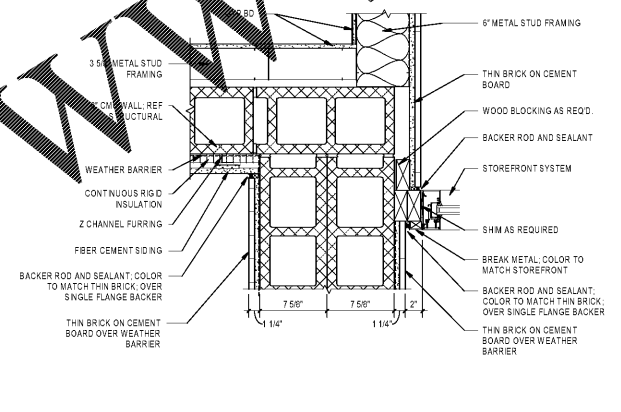
D7 WINDOW JAMB AT EIFS
A801 3' x 1'-0"



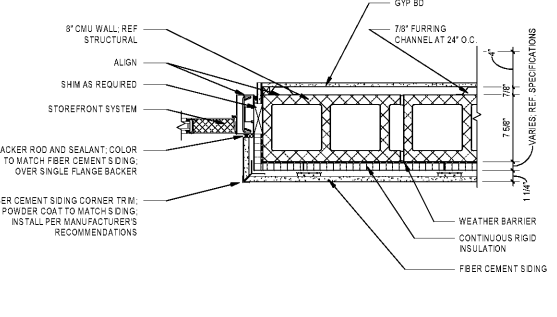
S1 STOREFRONT DETAIL @ ENTRY
A801 1 1/2' x 1'-0"



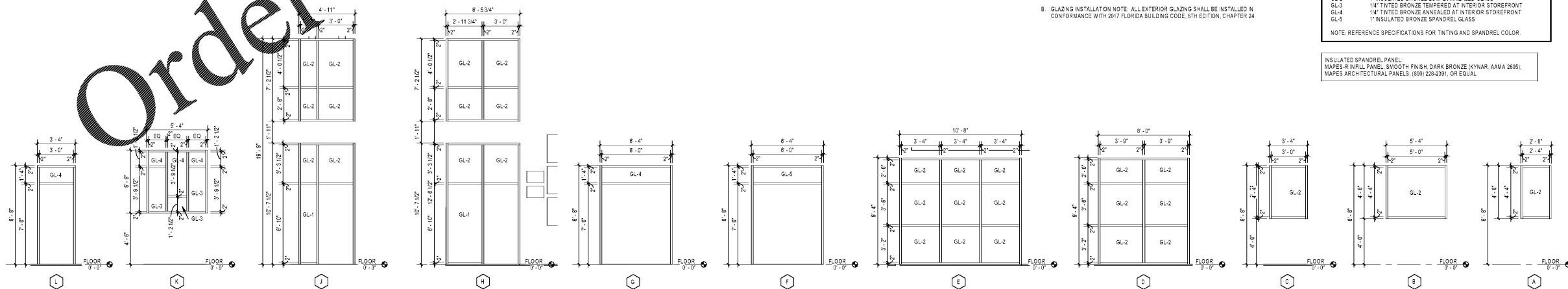
S2 THIN BRICK TO STOREFRONT DETAIL @ SIDE ENTRY
A801 2' x 1'-0"



S3 THIN BRICK TO STOREFRONT DETAIL @ TAKE-AWAY
A801 1 1/2' x 1'-0"



S4 FIBER CEMENT SIDING TO STOREFRONT DETAIL
A801 1 1/2' x 1'-0"



WINDOW TYPES

GENERAL NOTES

- A. ALL STOREFRONT AND WINDOW JAMBS BY MC, INSTALLED BY GC.
- B. GLAZING INSTALLATION NOTE: ALL EXTERIOR GLAZING SHALL BE INSTALLED IN CONFORMANCE WITH 2017 FLORIDA BUILDING CODE, 6TH EDITION, CHAPTER 24.

GLAZING NOTES

- GL-1 1" INSULATED BRONZE LOW-E TEMPERED GLASS
- GL-2 1" INSULATED BRONZE LOW-E ANNEALED GLASS
- GL-3 1/4" TINTED BRONZE TEMPERED AT INTERIOR STOREFRONT
- GL-4 1/4" TINTED BRONZE ANNEALED AT INTERIOR STOREFRONT
- GL-5 1" INSULATED BRONZE SPANDREL GLASS

NOTE: REFERENCE SPECIFICATIONS FOR TINTING AND SPANDREL COLOR.

INSULATED SPANDREL PANEL:
MAPES R/WFL PANEL SMOOTH FINISH DARK BRONZE (KYNAR, AAMA 2605);
MAPES ARCHITECTURAL PANELS, (800) 228-2291, OR EQUAL.



Mark S. Salopek, LLC
3638 West Galloway Drive
Richfield, OH 44286
330.572.2112 330.572.2102

BLOOMIN BRANDS
HIALEAH, FL - OUTBACK STEAKHOUSE
1751 W 48TH STREET
HIALEAH, FLORIDA 33012

SHEET ISSUE:
OUT TO PERMIT: 3/21/19

PRINCIPAL IN CHARGE: JC
PROJECT ARCHITECT: MS
DRAWN BY: TB
SHEET TITLE: STOREFRONT DETAILS

SHEET NO: A801
PROJ. NO: 2018231.29

A801