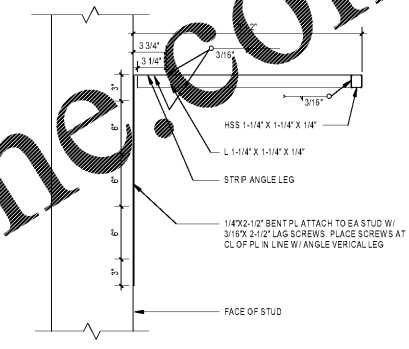
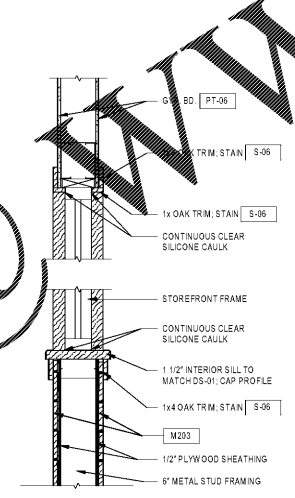


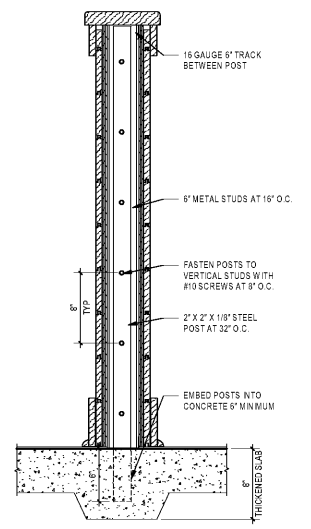
**A621** BACK BAR/DIE WALL SECTION  
1 1/2" x 1'-0"



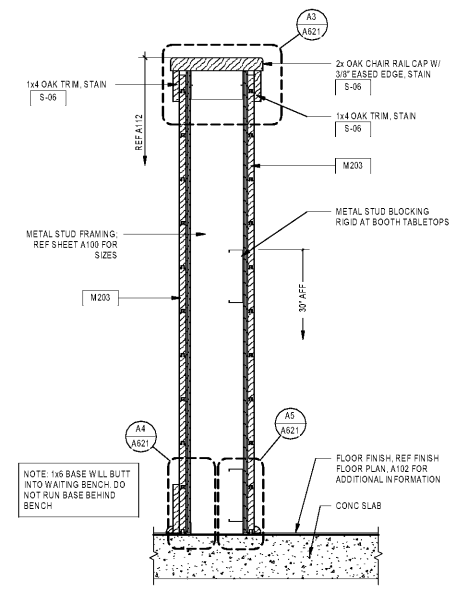
**A621** BAR SUPPORT DETAIL AT BACK BAR  
1 1/2" x 1'-0"



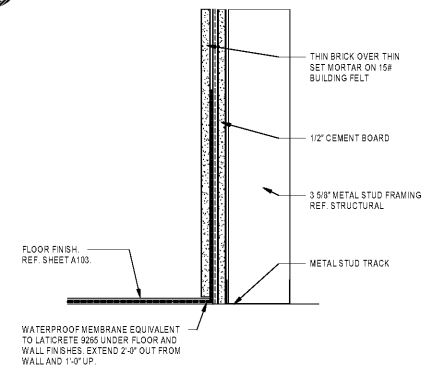
**A621** WALL SECTION AT INTERIOR STOREFRONT  
1" x 1'-0"



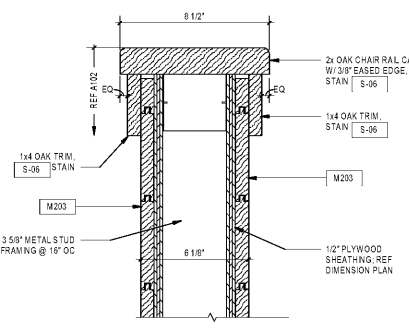
**A621** HALF WALL SUPPORT DETAIL  
1 1/2" x 1'-0"



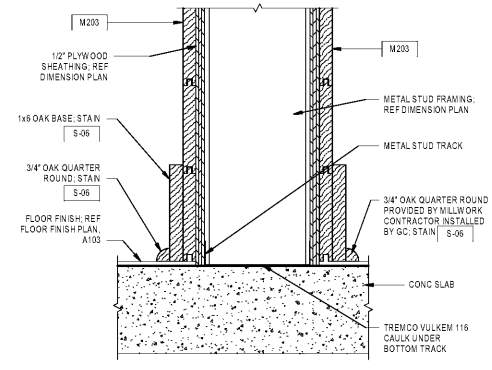
**A621** BAR/DINING HALF WALL SECTION  
1 1/2" x 1'-0"



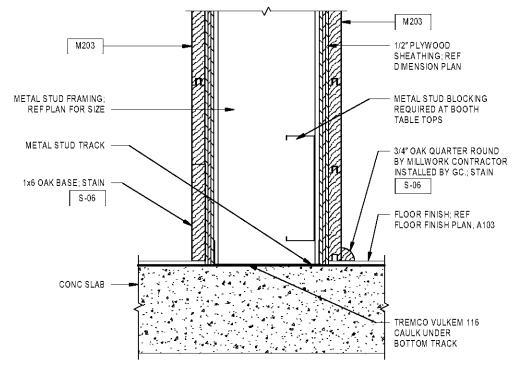
**A621** BASE AT BRICK  
3\"/>



**A621** HALF WALL CAP DETAIL  
3\"/>



**A621** BASE DETAIL  
3\"/>



**A621** BASE RECESSED DETAIL AT BOOTHS  
3\"/>

Order Plans @ [www.edline.com](http://www.edline.com)

2020/01/15 10:38 AM 100 201821.29.dwg (AutoCAD 2018) 100 201821.29.dwg