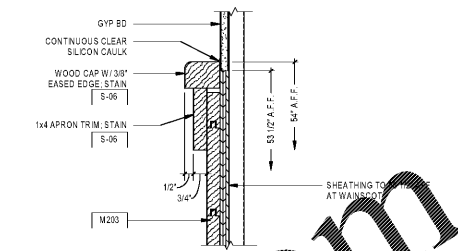
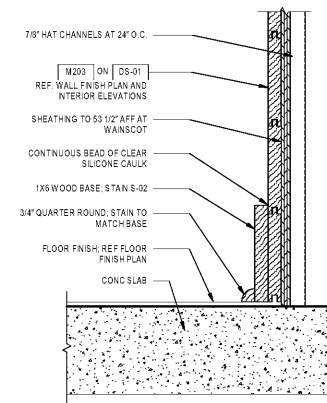


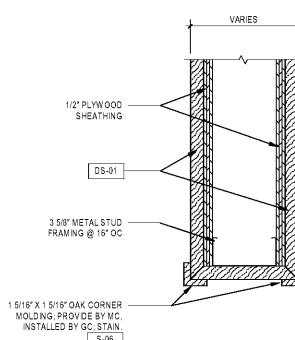
24 TYP. WAINSCOT SECTION
A620 1 1/2" x 1'-0"



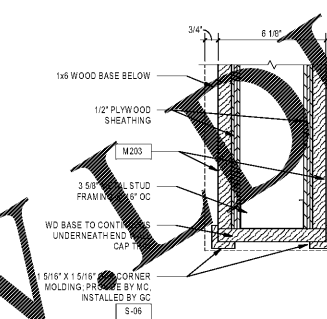
01 DETAIL - WAINSCOT CAP
A620 3" x 1'-0"



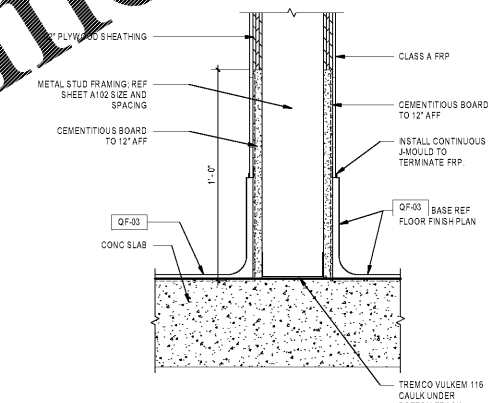
C2 BASE DETAIL - FULL WALL
A620 3" x 1'-0"



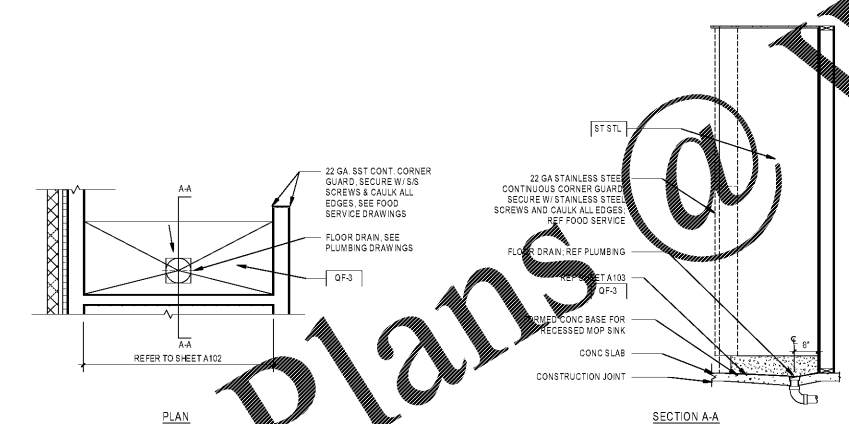
C3 DETAIL - ENDCAP AT FULL HEIGHT WALL
A620 3" x 1'-0"



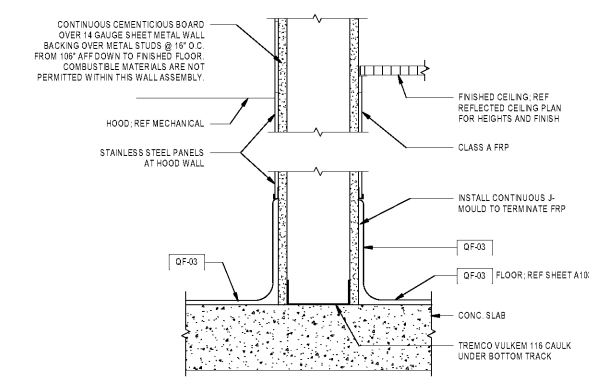
C4 END CAP AT HALF WALL
A620 3" x 1'-0"



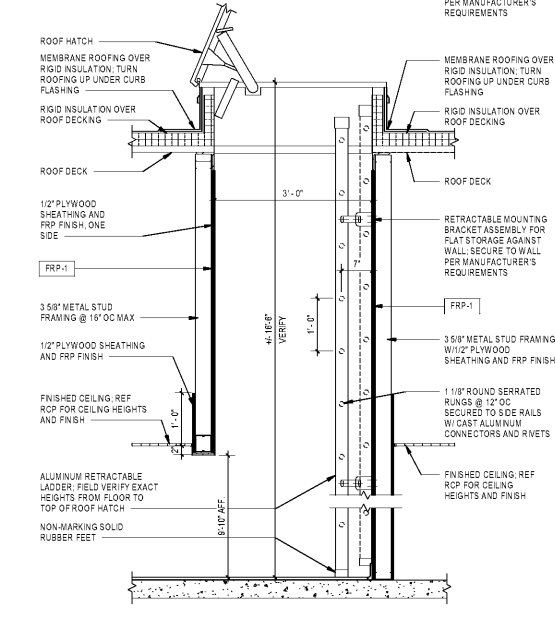
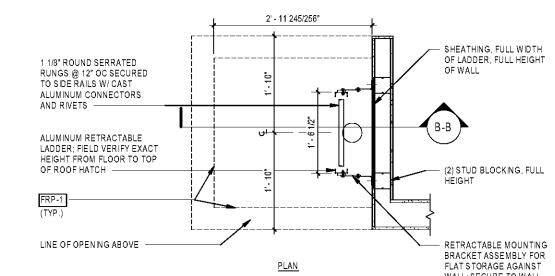
C5 BASE DETAIL - WET AREA
A620 3" x 1'-0"



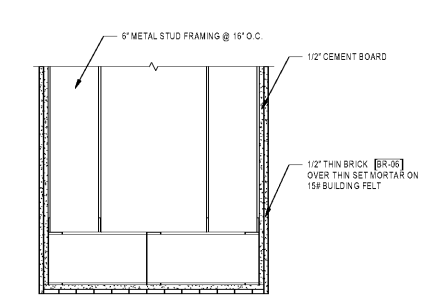
B1 MOP SINK DETAIL
A620 1/2" x 1'-0"



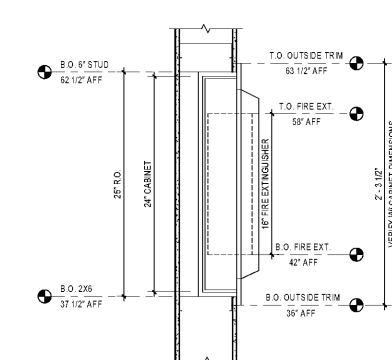
B4 DETAIL AT HOOD WALL
A620 3" x 1'-0"



A5 ROOF HATCH DETAIL
A620 3/4" x 1'-0"



A3 DETAIL - ENDCAP AT BRICK
A620 1 1/2" x 1'-0"



A4 SEMI RECESSED FIRE EXT. CABINET SECTION
A620 1 1/2" x 1'-0"

A2 BASE DETAIL - AT WOOD WAINSCOT
A620 3" x 1'-0"

Order Plans @ www.pdfline.com