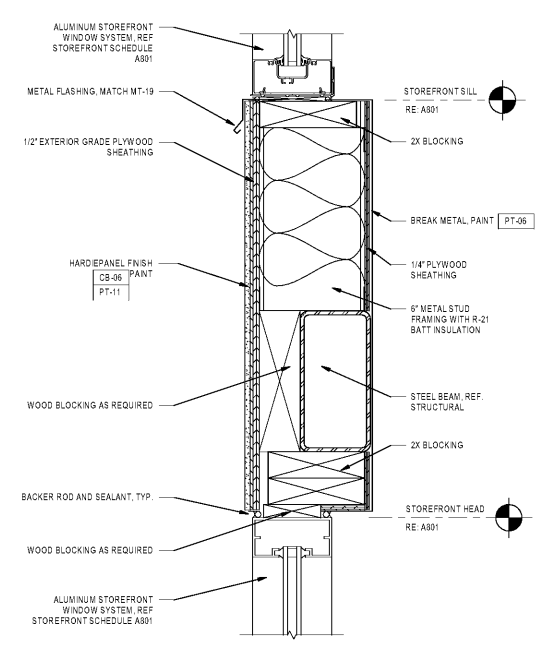
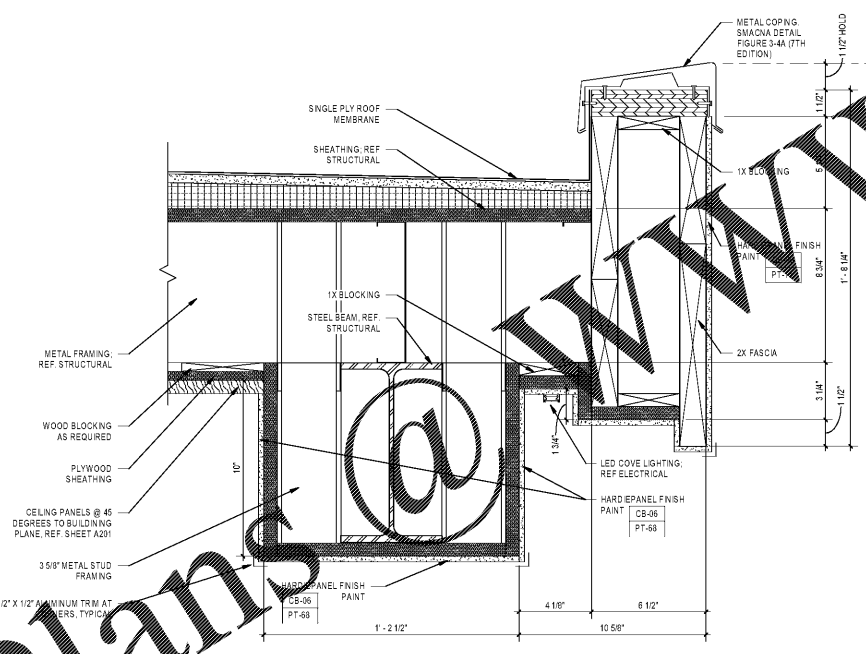


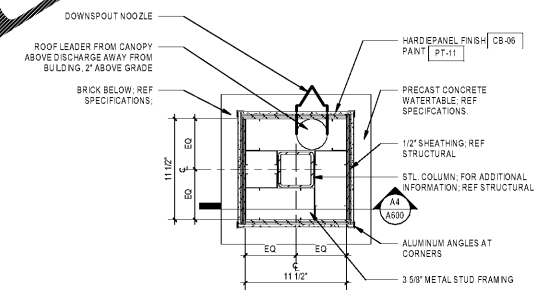
C2 CANOPY AT TAKE AWAY
3\"/>



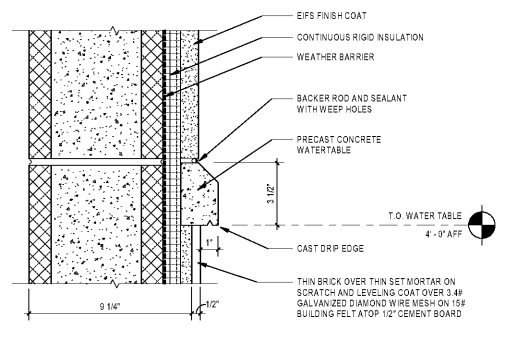
S1 DETAIL AT SIDE ENTRY HEADER
3\"/>



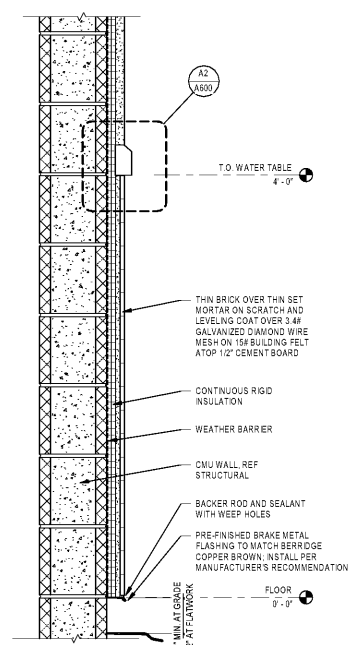
S2 ENLARGED CANOPY DETAIL
3\"/>



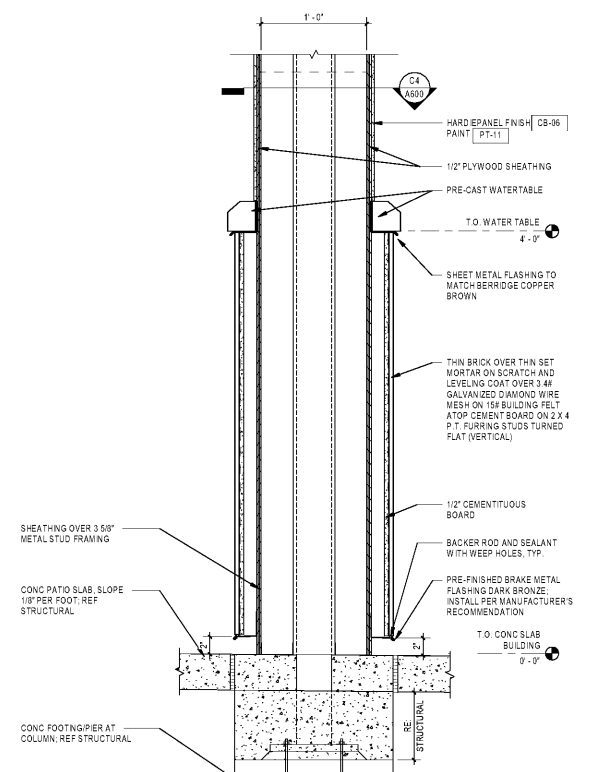
C4 TYP COLUMN SECTION
1 1/2\"/>



A2 WATERTABLE DETAIL
3\"/>



A3 WATERTABLE DETAIL @ 2\"/>



A4 BLADE CANOPY COLUMN DETAIL
1 1/2\"/>

Order Plans @ WWW.LDILINE.COM



Mark S. Salopek, LLC
3638 West Galloway Drive
Richfield, OH 44286
330.572.2112 330.572.2102

BLOOMING BRANDS
HIALEAH, FL - OUTBACK STEAKHOUSE
1751 W 48TH STREET
HIALEAH, FLORIDA 33012

SHEET ISSUE:
OUT TO PERMIT: 3/21/19

PRINCIPAL IN CHARGE: JC
PROJECT ARCHITECT: MS
DRAWN BY: TB
SHEET TITLE: **EXTERIOR DETAILS**

SHEET NO. PROJ. NO. 2018231.29

A600