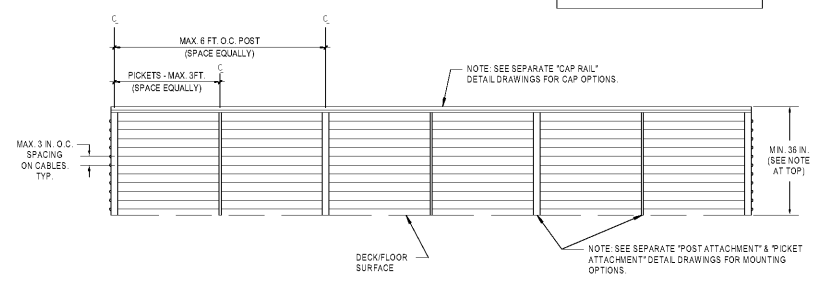
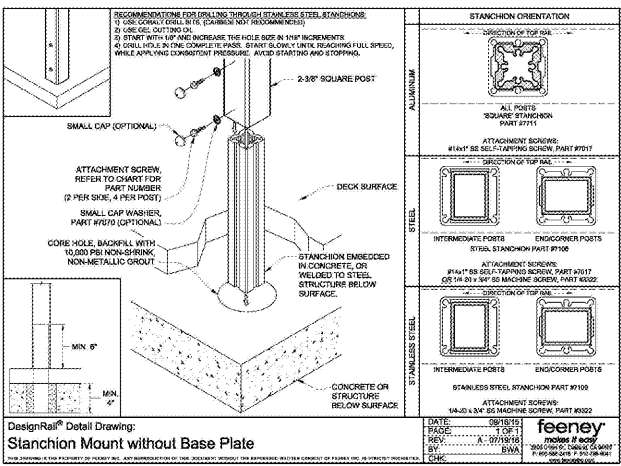


RAILING: HORIZONTAL CABLE INFILL (WITHOUT FOOT RAIL)
36" HIGH ALUMINUM FRAME WITHOUT FOOT RAIL
NOTE: 42" HIGH RAILING MUST USE FOOT RAIL.

feeneeyarchitectural
PRODUCTS
DesignRail Railing Systems
2633 Union Street
Oakland, CA 94607-2423
Ph: 909-889-2418 or 510-889-9473
Fx: 510-889-9484. www.designrail.com



D1 RAILING ELEVATION
1/2" = 1'-0"



D2 RAILING MOUNTING DETAIL
1" = 1'-0"

GENERAL NOTES

- SIGNAGE SHOWN FOR GENERAL LOCATION ONLY. REF APPROVED SIGN DRAWINGS BY SIGNAGE COMPANY.
 - CONTRACTOR TO SUPPLY REQUIRED POWER AND CONNECTION TO SIGN. COORDINATE WITH SIGN CONTRACTOR.
 - VERIFY SQUARE FOOTAGE REQUIREMENTS PER LOCAL ZONING ORDINANCES AND CODES.
 - SEPARATE PERMIT REQUIRED FOR ALL SIGNS.
 - REF FINISH SCHEDULE FOR EXTERIOR FINISHES AND COLORS.
 - REF SHEET A300 FOR ALUMINUM STOREFRONT INFORMATION AND GLAZING NOTES.
- SHEET KEYNOTES**
- BLADE ROOF CANOPY: HARD-BOARD PAINTED PT-11.
 - ALUMINUM STOREFRONT AND DOORS: REF SHEETS A800 & A801 FOR SCHEDULES.
 - SIGNAGE: SUPPLIED AND INSTALLED BY OTHERS. GC SHALL PROVIDE POWER SUB-OUT: SUPPLY BLOCKING AS REQUIRED FOR SIGNAGE ATTACHMENT. REF ELECTRICAL.
 - CONTROL JOINTS: MFR STANDARD.
 - SHALLOW CUT CONTROL JOINT: REF TO DETAIL D1A300.
 - STREET ADDRESS NUMBER.
 - CB-08 HARDIPANEL: COLUMN SURROUND: NO HORIZONTAL JOINTS IN COL. PANELS; REF SECTIONS AND DETAILS.
 - HARDIPANEL, COLOR BAND WITH LED RIBBON LIGHTING: REF TO ITEM CB-08 ON EXTERIOR FINISH SCHEDULE. REF TO WALL SECTIONS FOR DETAILS.
 - STEEL FRAMED RAILING: MATCH SW678 TURKISH COFFEE. REF D1 & D1A301.
 - HOLLOW METAL DOOR AND FRAME: REF DOOR SCHEDULE SHEET A800.
 - PRE-CAST CONCRETE WATERTABLE: REFERENCE WALL SECTIONS.
 - SINGLE PLY ROOF MEMBRANE: WHITE ON VERTICAL EXPOSED SURFACES. WHITE ON HORIZONTAL EXPOSED SURFACES.
 - BRICK: RUNNING BOND.
 - SHEET METAL: COLLECTOR BOX AND 4"X5" DOWNSPOUT. PRE-FINISHED MATCH MT-19. REF DETAIL A2A105. REF CIVIL FOR CONTINUATION.
 - 6"X6" OVERFLOW SCUPPER: REF DETAILS A1A105 AND A1A105. PAINT TO MATCH ADJACENT FINISH.
 - DUMPSTER ENCLOSURE: REF SHEET A410.
 - ALUMINUM DIAMOND PLATE.
 - LED COVE LIGHT (L234): REF ELECTRICAL, ROOF PLAN.
 - ELECTRICAL PANEL: REF ELECTRICAL DRAWINGS.
 - ALUMINUM TRELLIS WITH HARDIPANEL WRAP: PAINTED PT-11.

EXTERIOR FINISH SCHEDULE

TYPE	REMARKS		
EF-01	INTEGRAL COLOR EIFS: STOTHEIM 01 XPS OR DRYVIT OUTSULATION PLUS EIFS SYSTEM COLOR: [PT-69] MANUFACTURER: STI OR DRYVIT NOTES: FINE SAND FINISH. METAL COPING TO BE [MT-19]		
EF-02	INTEGRAL COLOR EIFS: STOTHEIM 01 XPS OR DRYVIT OUTSULATION PLUS EIFS SYSTEM COLOR: [PT-68] MANUFACTURER: STI OR DRYVIT NOTES: FINE SAND FINISH. METAL COPING TO BE [MT-19]		
CONTACT: WGREEN@STOCCRP.COM WEBSITE: WWW.STOCCRP.COM			
MASONRY	REMARKS		
BR-06	THIN BRICK RUNNING BOND STANDARD THIN SET COURSE 3/4" X 2 1/4" X 7 1/2" MANGNESE NONSPOT SMOOTH MANUFACTURER: ENDICOTT THIN BRICK & TILE LLC NO SUBSTITUTIONS WEBSITE: WWW.ENDICOTT.COM		
CMU-1	8" BURNISHED CMU: AMCOM CONCRETE PRODUCTS LLC. B51 - ONYX		
CMU-2	4" SPLIT FACE CMU		
EXTERIOR PAINT	COLOR NUMBER	PRODUCT NAME	
PT-11	TURKISH COFFEE	SW678	SHERWIN WILLIAMS
PT-54	POWDER COATING		SHERWIN WILLIAMS
PT-67	BLACK FOX	SW7320	SHERWIN WILLIAMS
PT-68	BOLEDO RED	SW7900	SHERWIN WILLIAMS
PT-69	DOUBLE LATTE	SW9108	SHERWIN WILLIAMS
ALUMINUM BRAKE METAL			
MT-19	METAL COPING		
	COLOR: COPPER BROWN		
	MANUFACTURER: BERRIDGE		
MT-20	CORRUGATED METAL PANEL		
	COLOR: MANSARD BROWN		
	MANUFACTURER: PAC-CLAD		24 GAGE
STOREFRONT	REMARKS		
SF-01	8" ALUMINUM STOREFRONT		
	COLOR: MATCH SW678 TURKISH COFFEE		
FIBER CEMENT SIDING	REMARKS		
CB-06	PRIME FOR PAINTING. HARDIPANEL SELECT CEDAR MILL MANUFACTURER: JAMES HARDIE		
	FIBER CEMENT SIDING		
	COLOR: ROUGH SAWN, ESPRESSO #AWP30-30		
	MANUFACTURER: NICHHA USA, INC		
	CONTACT: (770) 895-9469		

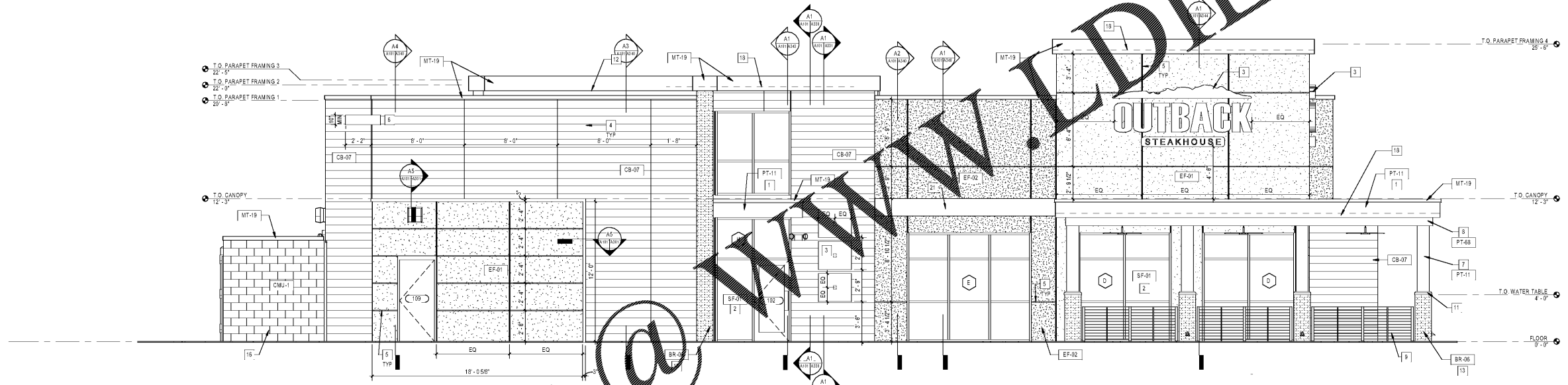


Mark S. Salopek, LLC
3638 West Galloway Drive
Richfield, OH 44286
330.572.2112 330.572.2102

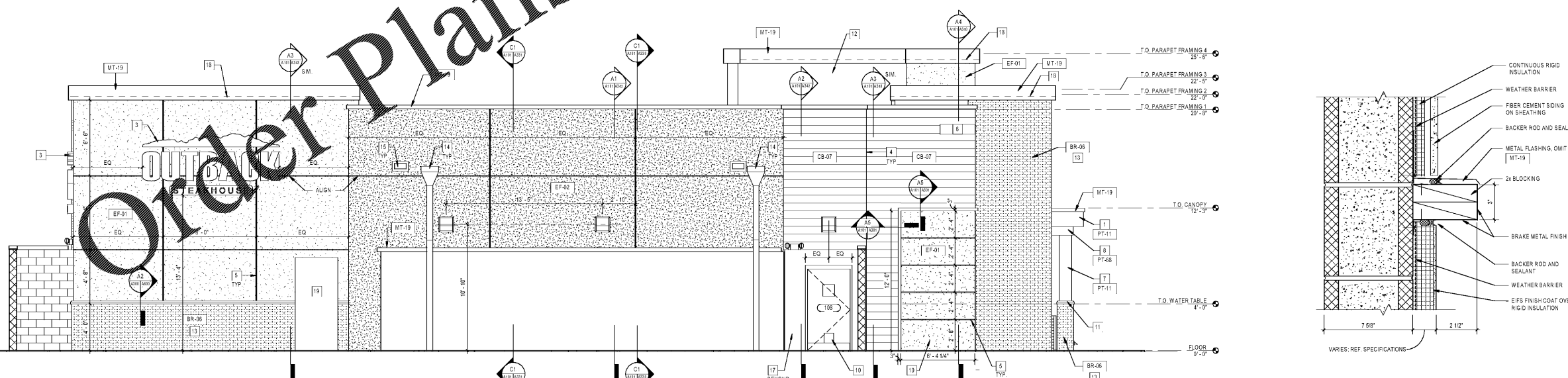
BLOOMIN BRANDS
HIALEAH, FL - OUTBACK STEAKHOUSE
1751 W 48TH STREET
HIALEAH, FLORIDA 33012

SHEET ISSUE:
OUT TO PERMIT: 3/21/19

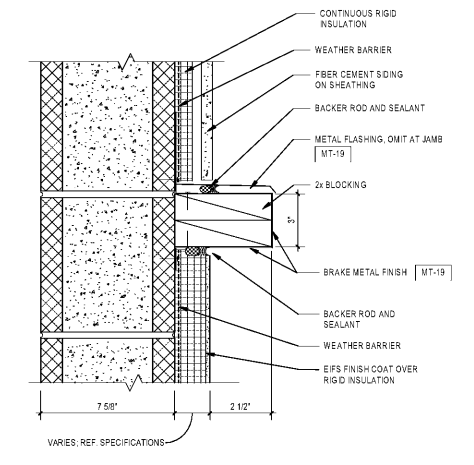
PRINCIPAL IN CHARGE: JC
PROJECT ARCHITECT: MS
DRAWN BY: TB
SHEET TITLE: ELEVATIONS
SHEET NO: A301
PROJ. NO: 201821.29



S1 ELEVATION - WEST
1/4" = 1'-0"



A1 ELEVATION - NORTH
1/4" = 1'-0"



A5 TRIM DETAIL (JAMB SIMILAR)
3/4" = 1'-0"