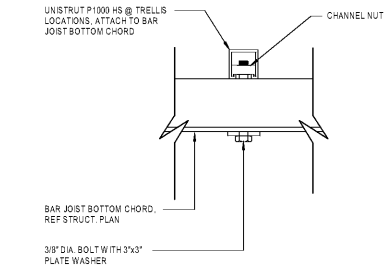
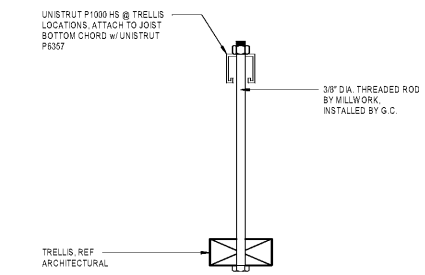


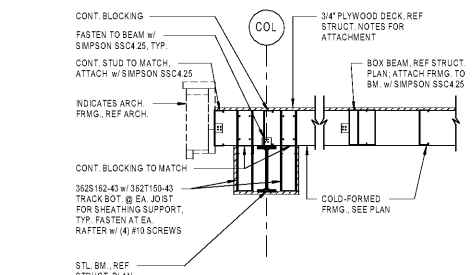
D1 SECTION
3/4" x 1'-0"



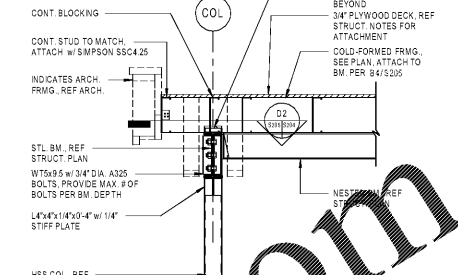
D2 SECTION
3/4" x 1'-0"



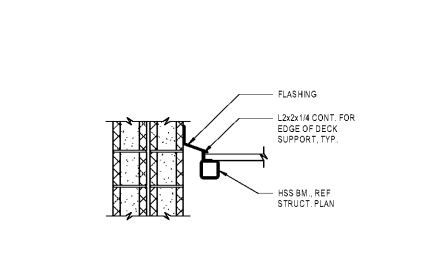
D3 SECTION
3/4" x 1'-0"



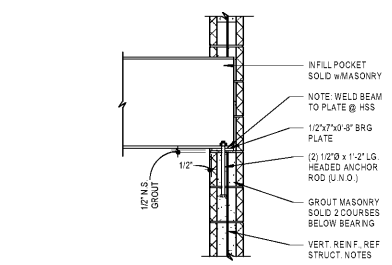
D4 SECTION
3/4" x 1'-0"



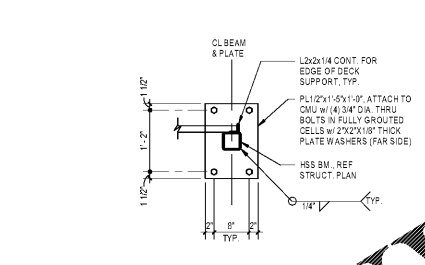
D5 SECTION
3/4" x 1'-0"



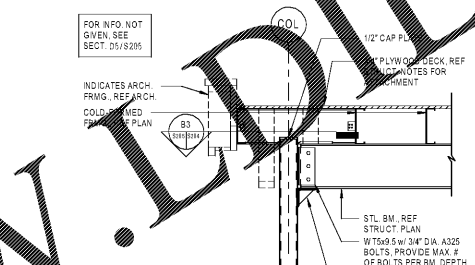
C1 SECTION
3/4" x 1'-0"



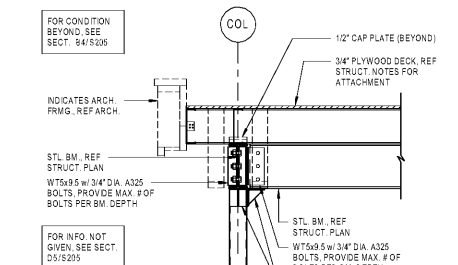
C2 TYP. BEAM/LINTEL BEARING DETAIL
3/4" x 1'-0"



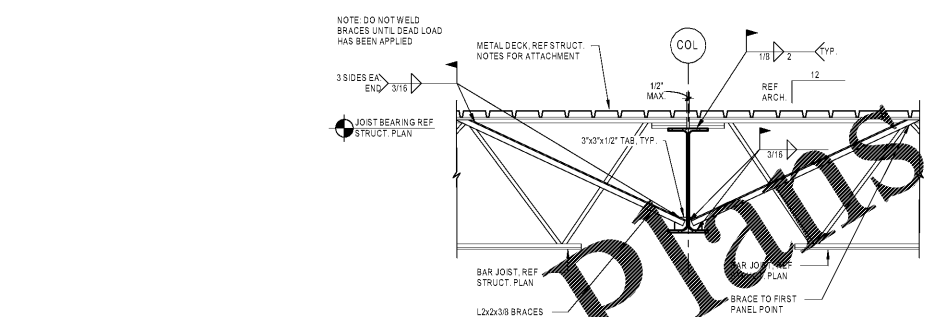
C3 SECTION
3/4" x 1'-0"



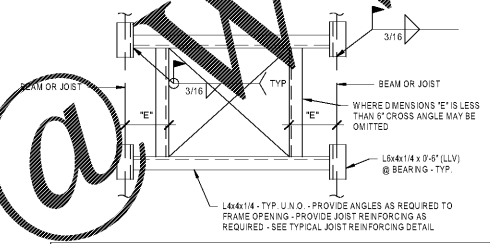
C4 SECTION
3/4" x 1'-0"



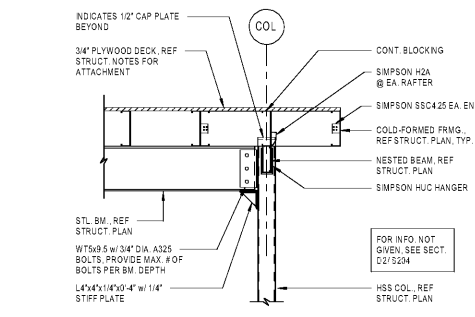
C5 SECTION
3/4" x 1'-0"



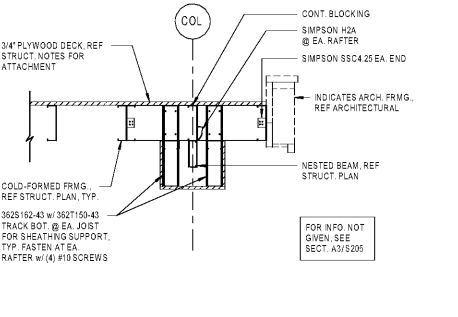
B2 SECTION
3/4" x 1'-0"



B3 SECTION
3/4" x 1'-0"



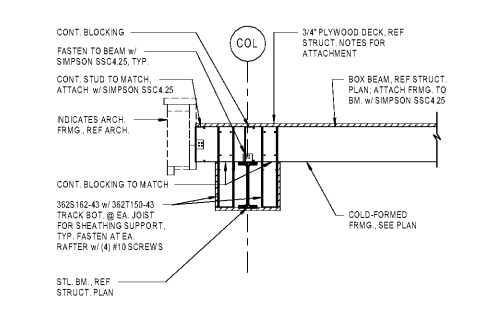
B4 SECTION
3/4" x 1'-0"



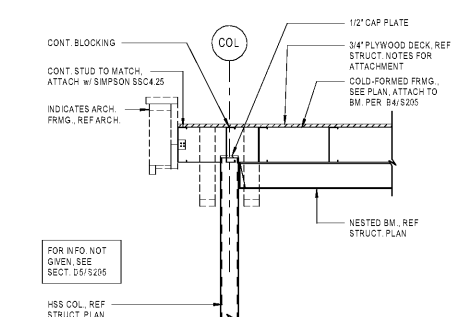
B5 SECTION
3/4" x 1'-0"



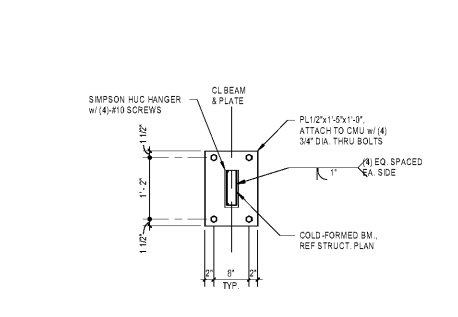
A3 SECTION
3/4" x 1'-0"



A4 SECTION
3/4" x 1'-0"



A4 SECTION
3/4" x 1'-0"



A5 SECTION
3/4" x 1'-0"

Order Plans

www.LDOnline.com



BLOOMING BRANDS
HIALEAH, FL - OUTBACK STEAKHOUSE
1751 W 49TH STREET
HIALEAH, FLORIDA 33012

SHEET ISSUE
OUT TO PERMIT: 3/21/19

PRINCIPAL IN CHARGE: JC
PROJECT ARCHITECT: MS
DRAWN BY: JCG

SHEET TITLE:
FRAMING SECTIONS

SHEET NO. PROJ. NO.
2018231.29

S205