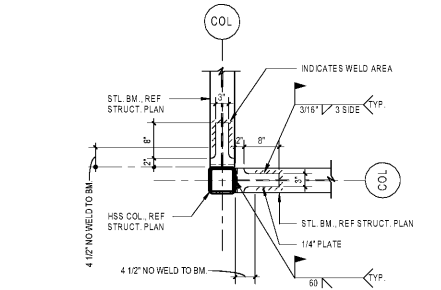
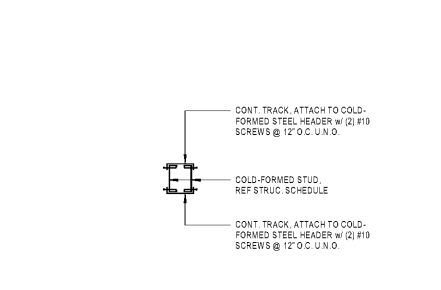


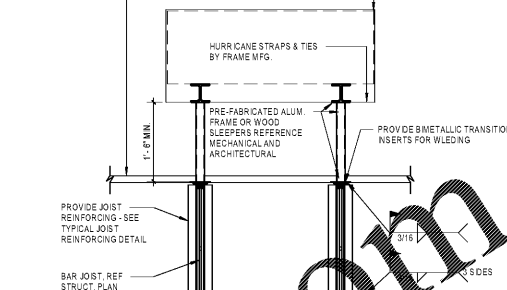
D2 PLAN VIEW
3/4" = 1'-0"



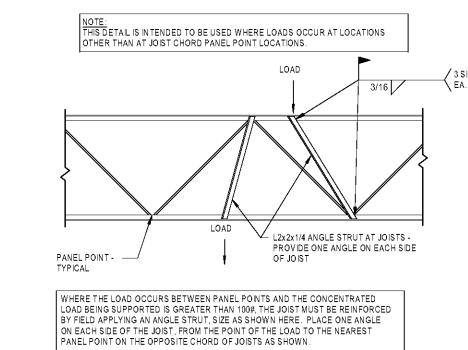
D3 TYPICAL AT CORNER MOMENT CONNECTION - PLAN
3/4" = 1'-0"



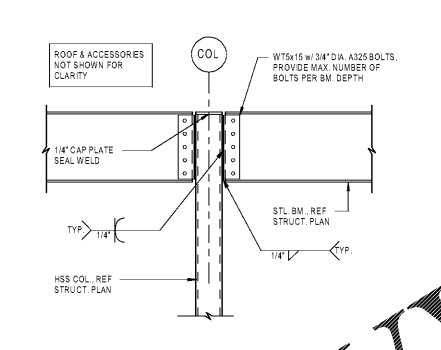
D4 TYPICAL AT COLD-FORMED HEADER
3/4" = 1'-0"



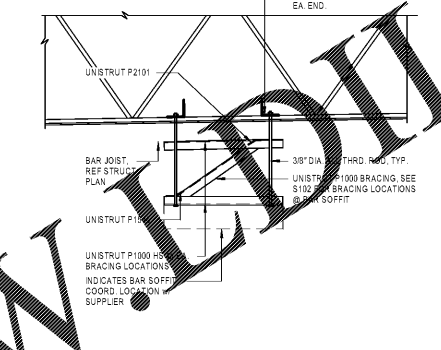
D5 TYPICAL AT CONDENSING UNIT
3/4" = 1'-0"



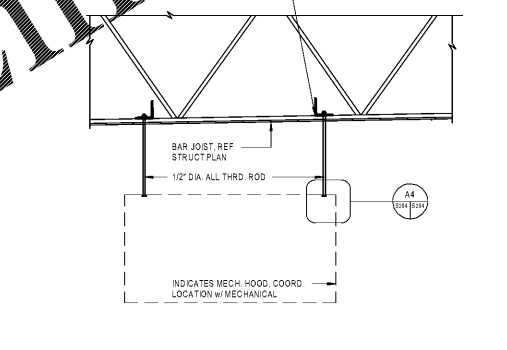
D2 TYPICAL JOIST REINFORCING
3/4" = 1'-0"



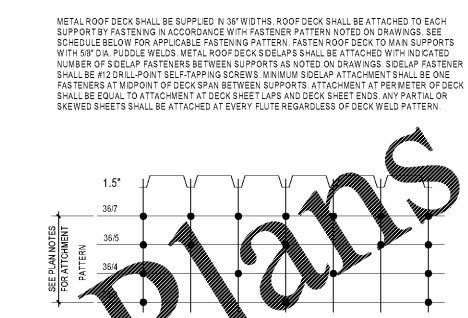
D3 TYPICAL AT STEEL BM TO COLUMN CONNECTION
3/4" = 1'-0"



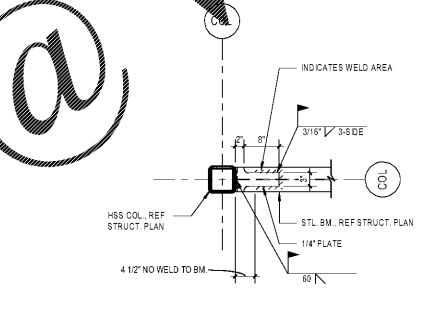
D4 TYPICAL AT BAR SOFFIT UNISTRUT SUPPORT
3/4" = 1'-0"



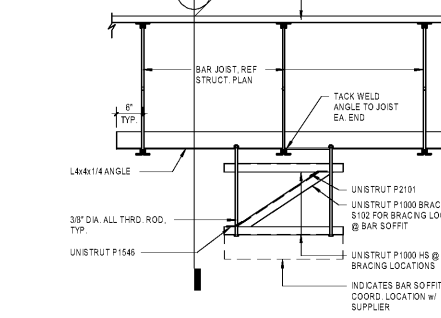
D5 TYPICAL AT MECHANICAL HOOD SUPPORT
3/4" = 1'-0"



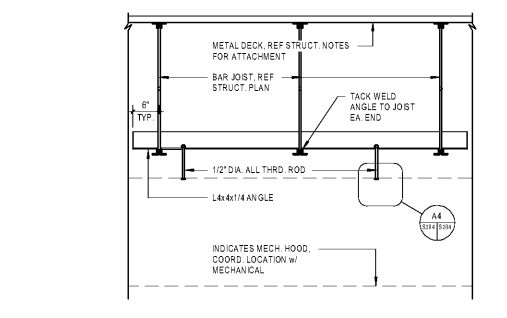
D2 TYPICAL DECK ATTACHMENT
3/4" = 1'-0"



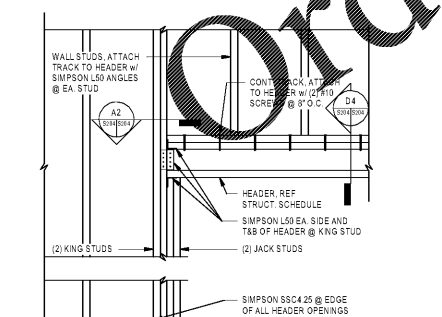
D3 TYPICAL AT MOMENT CONNECTION - PLAN
3/4" = 1'-0"



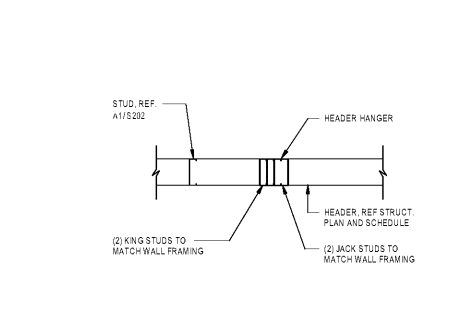
D4 TYPICAL AT BAR SOFFIT UNISTRUT SUPPORT
3/4" = 1'-0"



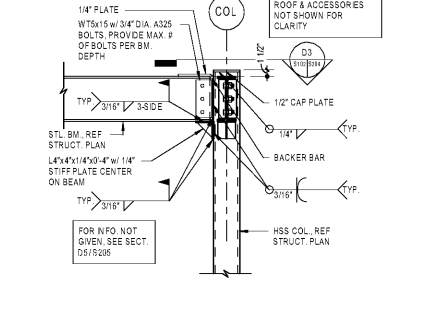
D5 TYPICAL AT MECHANICAL HOOD SUPPORT
3/4" = 1'-0"



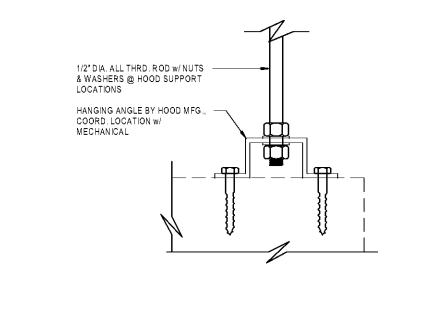
A1 TYPICAL AT HEADER TO STUD CONNECTION
3/4" = 1'-0"



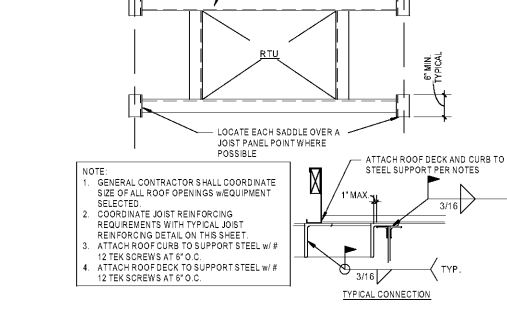
A2 TYPICAL HEADER - PLAN VIEW
3/4" = 1'-0"



A3 TYPICAL AT MOMENT CONNECTION - SECTION
3/4" = 1'-0"



A4 SECTION AT HOOD SUPPORT
3/4" = 1'-0"



A5 TYPICAL AT RTU OPENING
3/4" = 1'-0"



BLOOMING BRANDS
HIALEAH, FL - OUTBACK STEAKHOUSE
1751 W 49TH STREET
HIALEAH, FLORIDA 33012

SHEET ISSUE:
OUT TO PERMIT: 3/21/19

PRINCIPAL IN CHARGE: JC
PROJECT ARCHITECT: MS
DRAWN BY: JCG
SHEET TITLE: FRAMING SECTIONS

SHEET NO. PROJ. NO. 2018231.29

S204