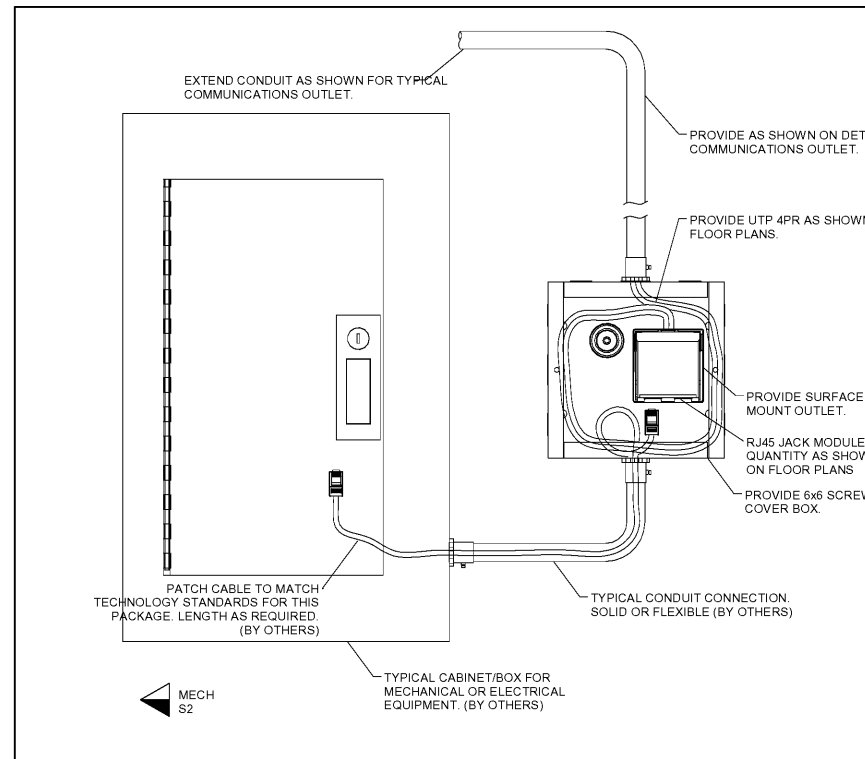
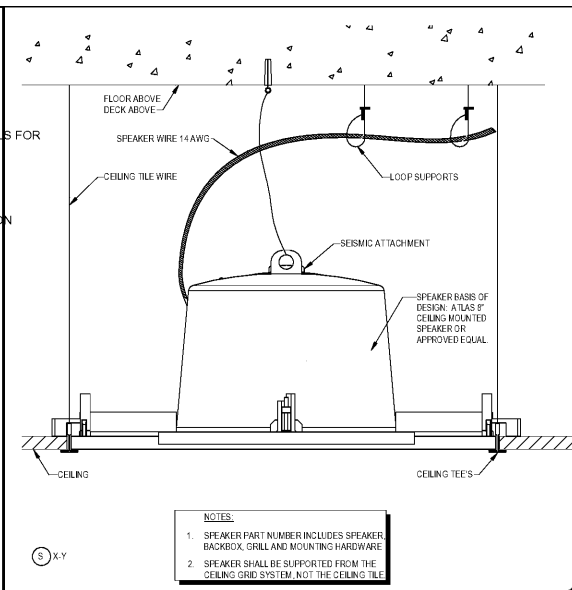


**NOT FOR  
 CONSTRUCTION**

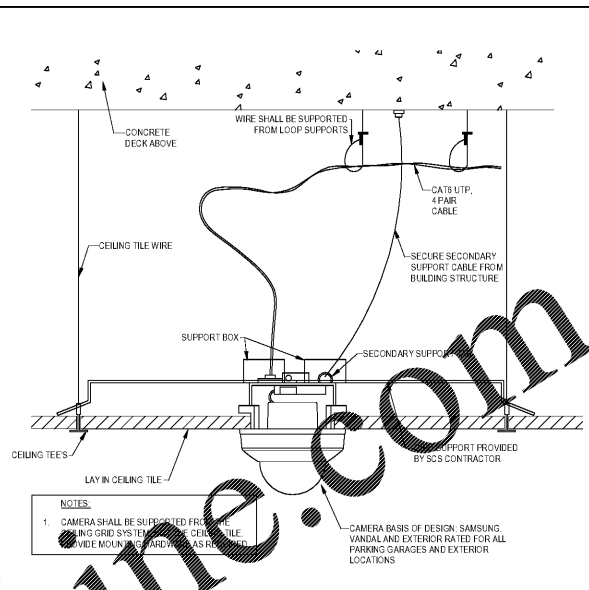
No.	Description	Date
3	BO - GMP	2019-07-03



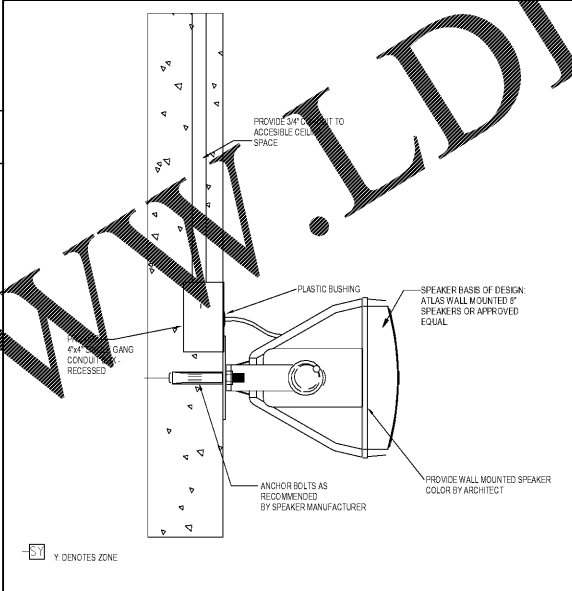
**SURFACE JACK FOR MECH/ELEC DETAIL**  
 No Scale **6**



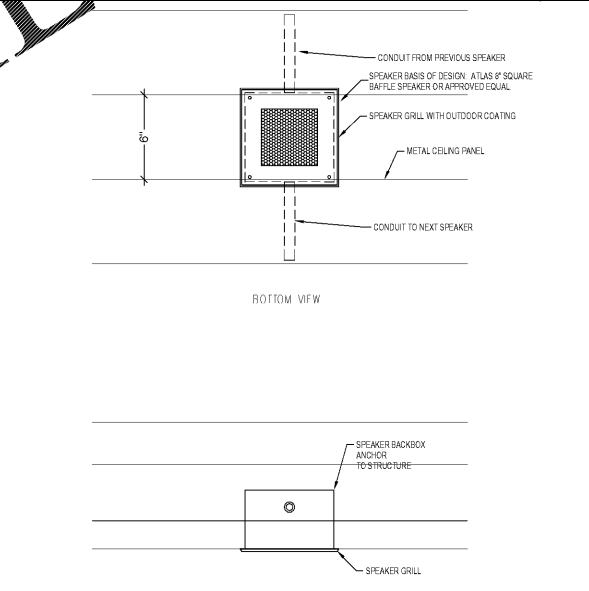
**SPEAKER TYPE 1 - CEILING MOUNTED**  
 No Scale **4**



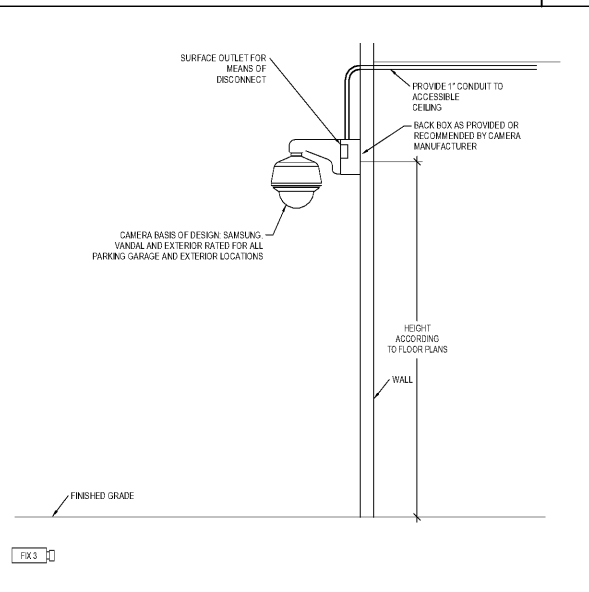
**CCTV CAMERA INSTALLATION**  
 No Scale **1**



**SPEAKER TYPE 3 - WALL MOUNTED**  
 No Scale **5**



**SPEAKER TYPE 2 - CEILING MOUNTED**  
 No Scale **2**



**FIXED CAMERA - SURFACE WALL MOUNT**  
 No Scale **3**

Order Plans @ [WWW.LDILLINE.COM](http://WWW.LDILLINE.COM)