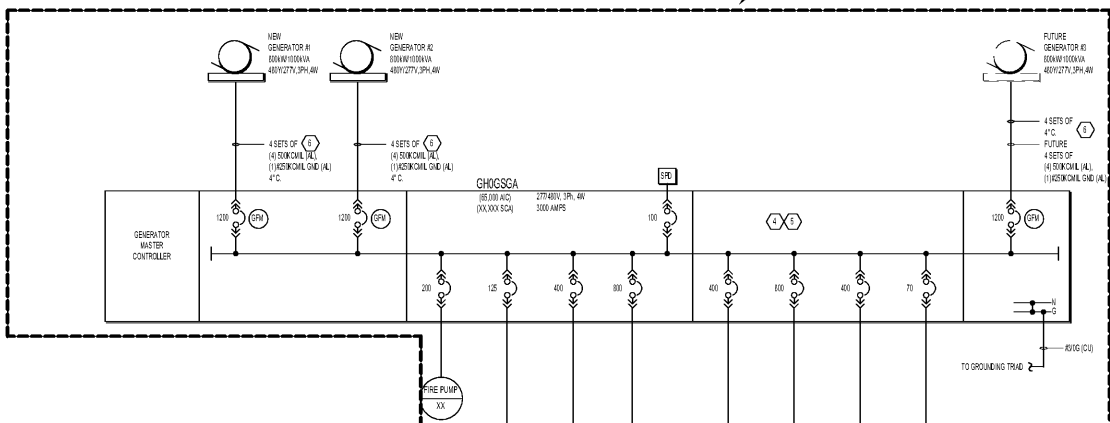
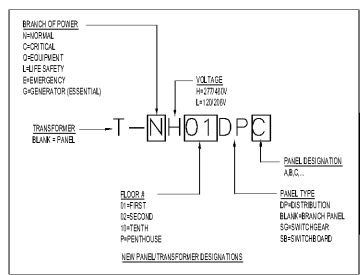
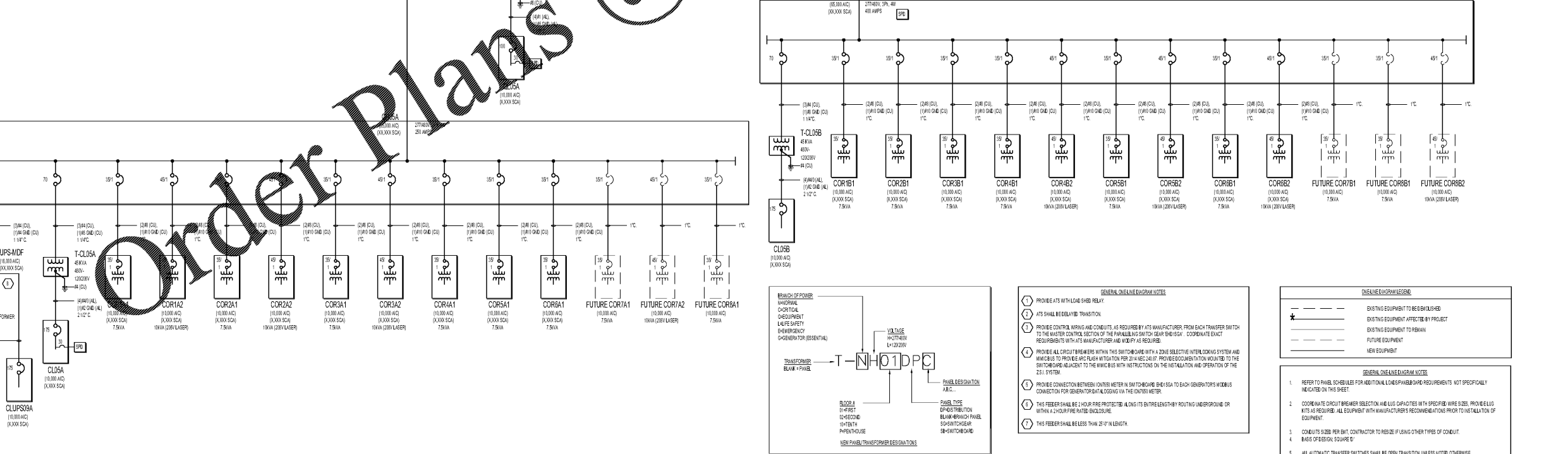
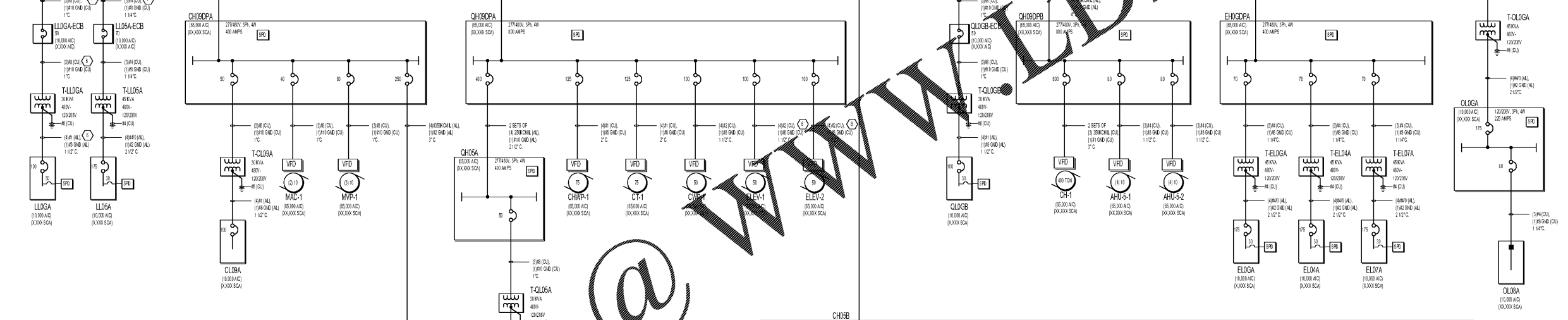
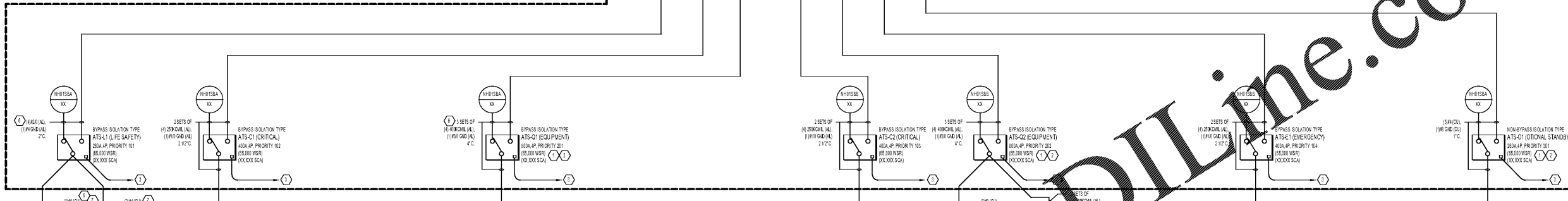


ALL EQUIPMENT AND FEEDERS WITHIN THIS AREA SHALL BE PROVIDED BY GEORGIA POWER



GENERATOR FUEL WORKSHEET table with columns for TYPE OF FUEL, NUMBER OF GENERATORS, GENERATOR FUEL CONSUMPTION @ 10% LOAD (GPH), TOTAL FUEL CONSUMPTION @ 10% LOAD (GPH) FOR 2 GENERATORS, DAY TANK SIZE CALCULATION, and MAIN TANK SIZE CALCULATION.

LINE PRIORITY SCHEDULE table with columns for ATS-C1, ATS-C2, ATS-E, ATS-D1, and ATS-D2, each with a corresponding priority level.



- GENERAL ONE-LINE DIAGRAM NOTES: 1. PROVIDE ATS WITH LOAD SHED RELAY... 2. PROVIDE CONTROL WIRING AND CONDUITS AS REQUIRED... 3. PROVIDE ALL CIRCUIT BREAKERS WITHIN THIS SWITCHBOARD WITH A ZONE SELECTIVE INTERLOCKING SYSTEM...

- ONE-LINE DIAGRAM LEGEND: - - - - - EXISTING EQUIPMENT TO BE DISCONTINUED... \* - - - - - EXISTING EQUIPMENT AFFECTED BY PROJECT... - - - - - EXISTING EQUIPMENT TO REMAIN... - - - - - FUTURE EQUIPMENT... - - - - - NEW EQUIPMENT

- GENERAL ONE-LINE DIAGRAM NOTES: 1. REFER TO PANEL SCHEDULES FOR ADDITIONAL LOADS/PANELBOARD REQUIREMENTS NOT SPECIFICALLY INDICATED ON THIS SHEET... 2. COORDINATE CIRCUIT BREAKER SELECTION AND LOAD CAPACITIES WITH SPECIFIED WIRE SIZES... 3. CONDUITS SHALL BE BY CONTRACTOR TO RESIZE IF USING OTHER TYPES OF CONDUIT... 4. BASIS OF DESIGN SOURCE: 1. ALL AUTOMATIC TRANSFER SWITCHES SHALL BE OPEN TRANSITION UNLESS NOTED OTHERWISE... 2. REFER TO SPECIFICATION 2600.2.1 FOR WIRE AND CONDUCTOR TYPE... 3. ALL BREAKERS 150 AMPS AND LARGER SHALL BE SOLID STATE TYPE



Project THE CENTER FOR ADVANCED SURGICAL SERVICES (CASS) 88 JESSE HILL DRIVE ATLANTA, GA 30303

Prepared For GRADY HEALTH SYSTEM 80 JESSE HILL DR. SE ATLANTA, GA 30303

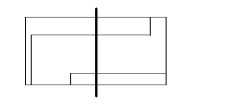


Helmuth, Obata & Kassabaum, Inc. 191 Peachtree Street, NE, Suite 2250 Atlanta, GA 30303 USA

All reproduction & intellectual property rights reserved © 2019 In Association with



Key Plan



Professional Seal Emory Neal Boothe, P.E. Georgia License #PE039005

NOT FOR CONSTRUCTION

Table with columns: No., Description, Date. Row 1: 1, ED - GMP, 2019-07-03

Project No: 18.16013.00 Sheet Title

GEORGIA POWER ONE-LINE RISER DIAGRAM

Original is 30 x 43. Do not scale contents of this drawing. Sheet Number

E005

6/27/2019 4:44:50 PM C:\RevL\Grady\CASS-TLC-ELEC\_JOE\_HILDBRAND\K01.E005.dwg