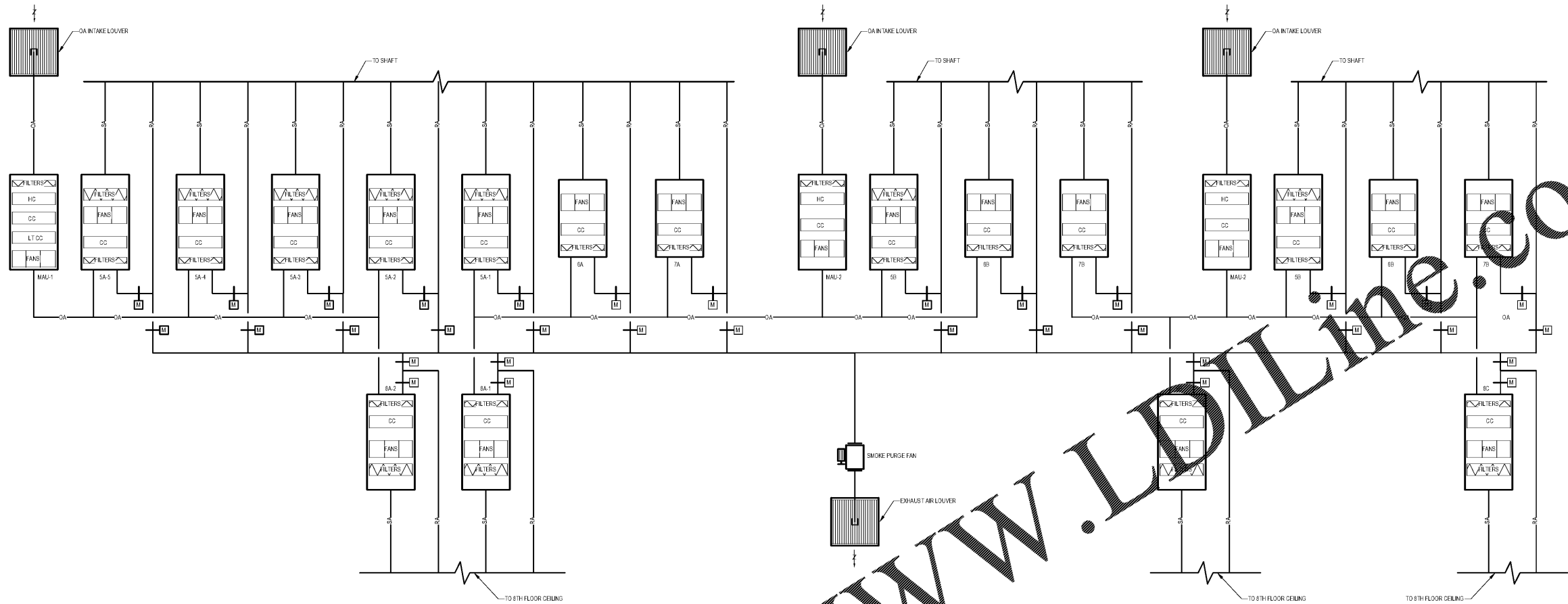


**NOT FOR
 CONSTRUCTION**

No.	Description	Date
1	DD - GMP	2019-07-03



AHU SCHEMATIC
 1/2" = 1'-0"

Order Plans @

WWW.LDLINE.COM