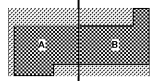




Key Plans



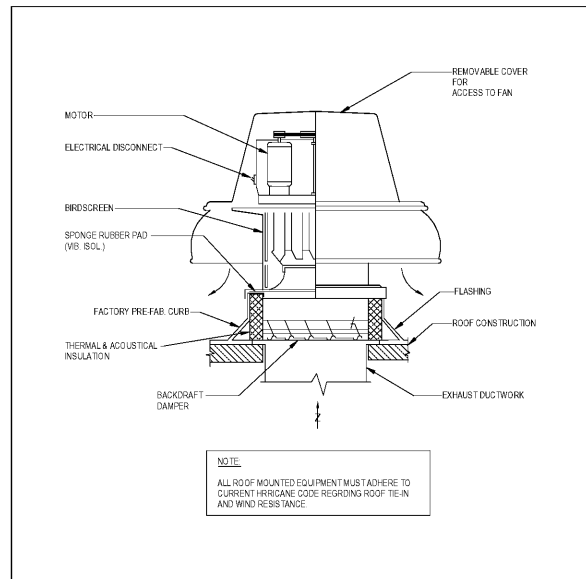
Professional Seal
Benjamin Roseborough, P.E.
Georgia License #PE036005

**NOT FOR
CONSTRUCTION**

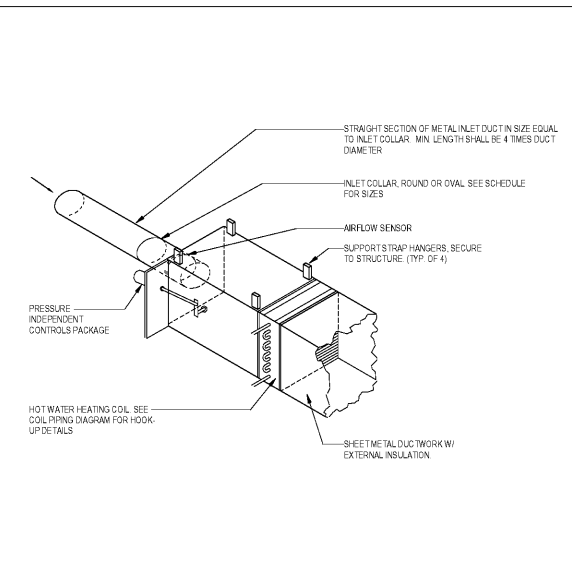
No.	Description	Date
1	DD - GMP	2/19/2015

Project No. 18-16013-00
Sheet Title

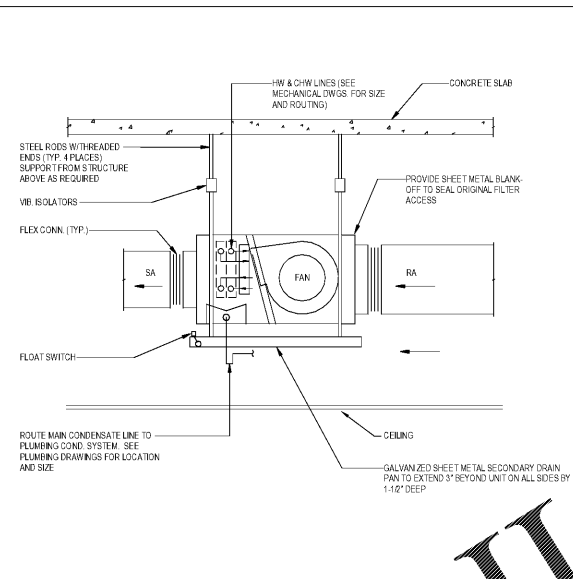
MECHANICAL DETAILS



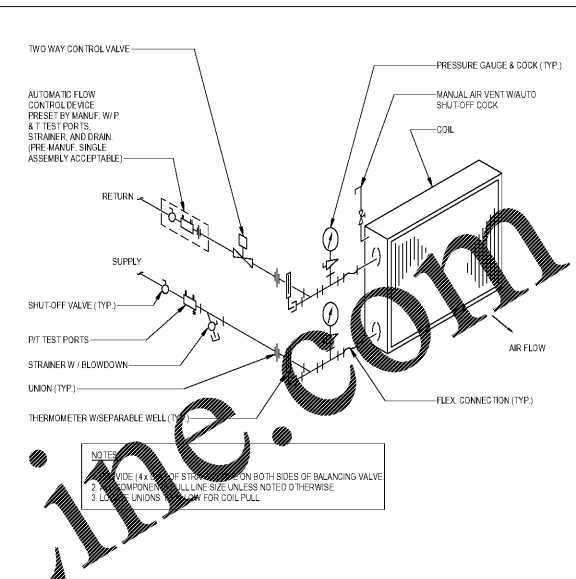
ROOF MOUNTED EXHAUST FAN
No Scale



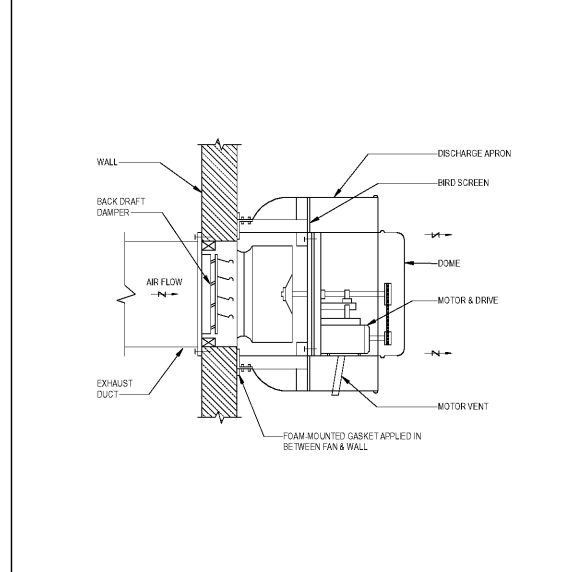
VARIABLE VOLUME TERMINAL W/ HOT WATER HEAT
No Scale



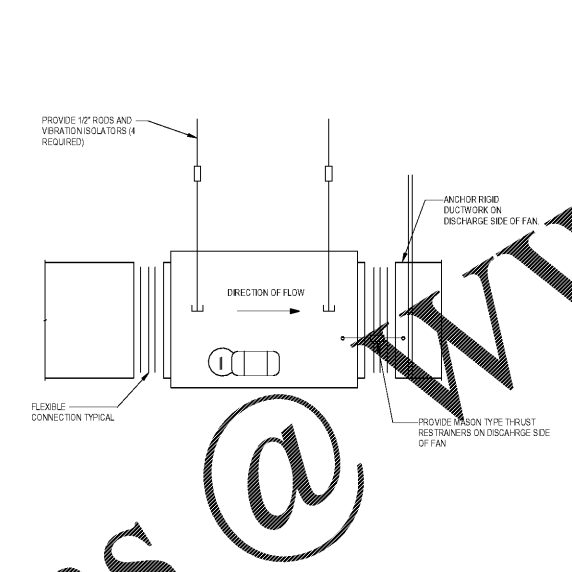
FAN COIL UNIT
No Scale



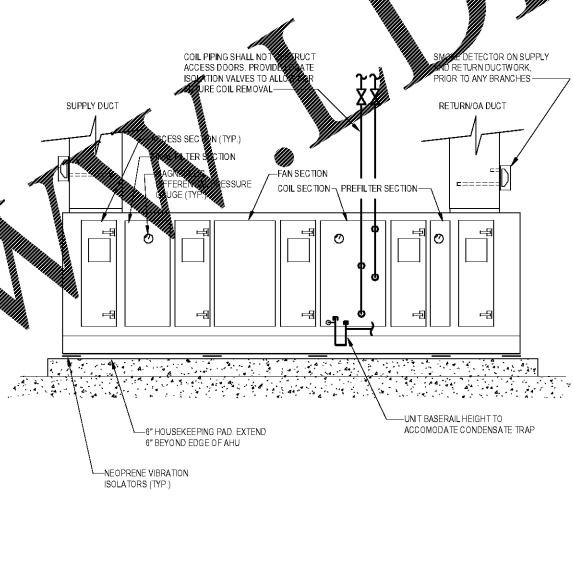
2-WAY COIL PIPING DIAGRAM
No Scale



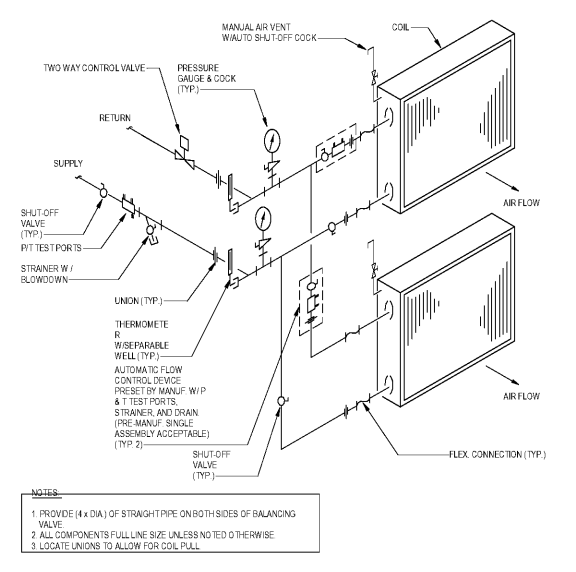
WALL MOUNTED EXHAUST FAN
No Scale



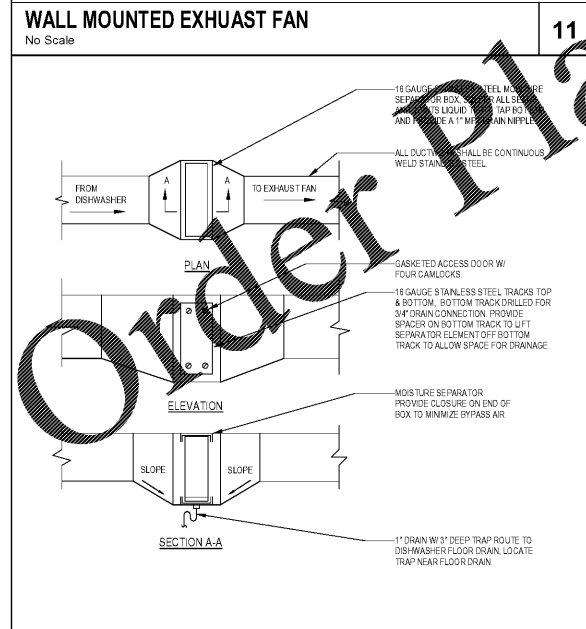
IN-LINE FAN - LARGE
No Scale



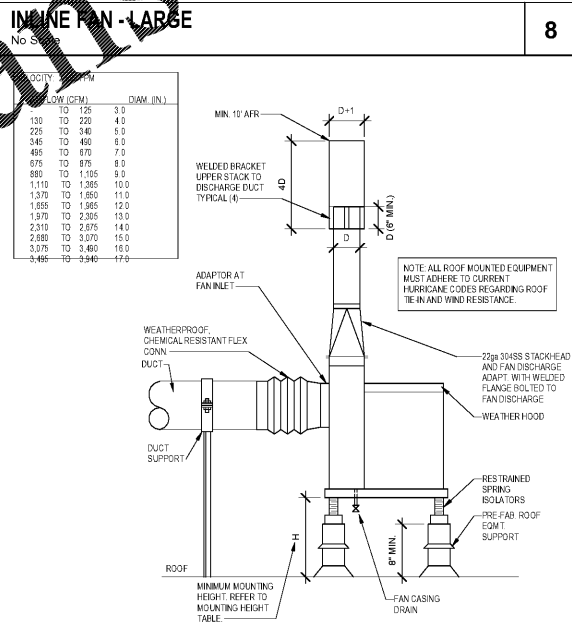
INDOOR AHU INSTALLATION
No Scale



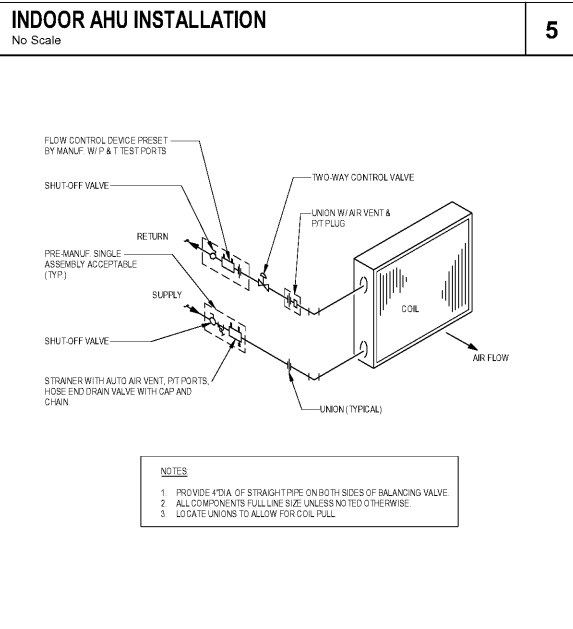
2-WAY STACKED COIL PIPING DIAGRAM
No Scale



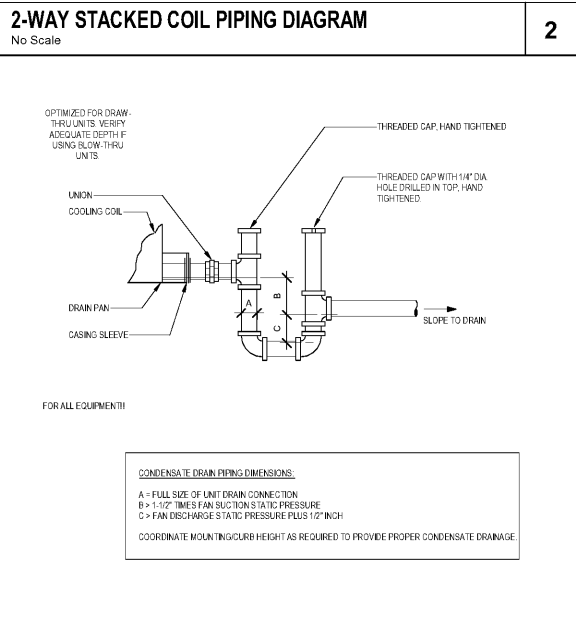
MOISTURE SEPARATOR
No Scale



ISOLATION ROOM/LAB HOOD EXHAUST FAN
No Scale



TERMINAL REHEAT 2-WAY COIL PIPING
No Scale



AHU CONDENSATE DRAIN TRAP
No Scale

MOISTURE SEPARATOR
No Scale

ISOLATION ROOM/LAB HOOD EXHAUST FAN
No Scale

TERMINAL REHEAT 2-WAY COIL PIPING
No Scale

AHU CONDENSATE DRAIN TRAP
No Scale

Order Plans

SIZE	FLOW (CFM)	DIAM. (IN.)
130 TO 125	3.0	
130 TO 220	4.0	
225 TO 340	5.0	
345 TO 490	6.0	
495 TO 670	7.0	
675 TO 875	8.0	
880 TO 1,185	9.0	
1,190 TO 1,385	10.0	
1,375 TO 1,850	11.0	
1,855 TO 1,985	12.0	
1,970 TO 2,385	13.0	
2,310 TO 2,875	14.0	
2,880 TO 3,370	15.0	
3,375 TO 3,490	16.0	
3,465 TO 3,940	17.0	