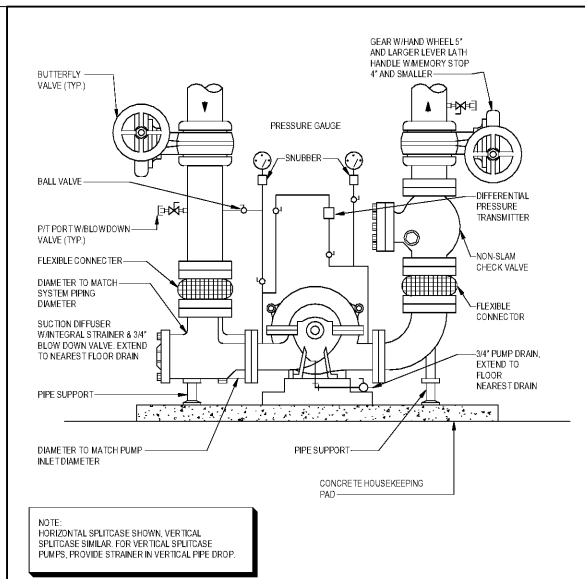
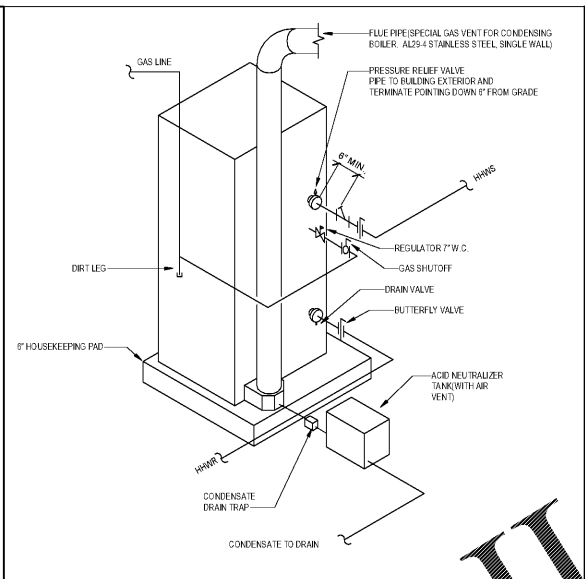


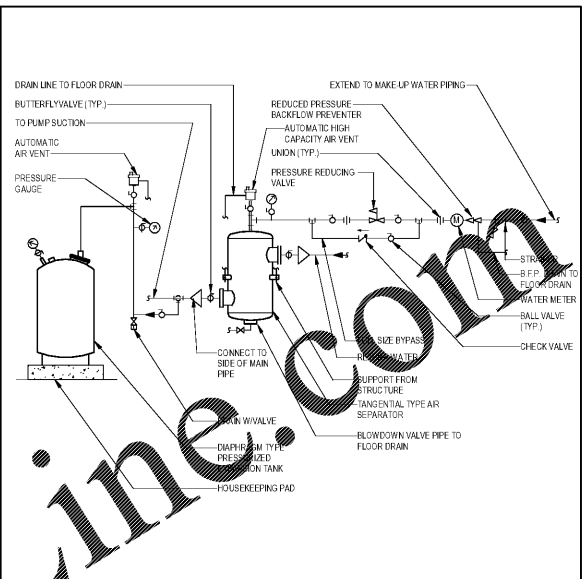
**TYPICAL REFRIGERANT MONITOR**  
No Scale



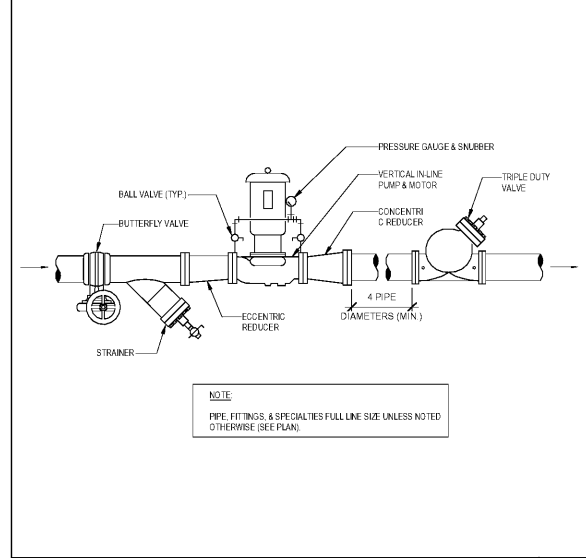
**SPLIT-CASE DOUBLE SUCTION PUMP**  
No Scale



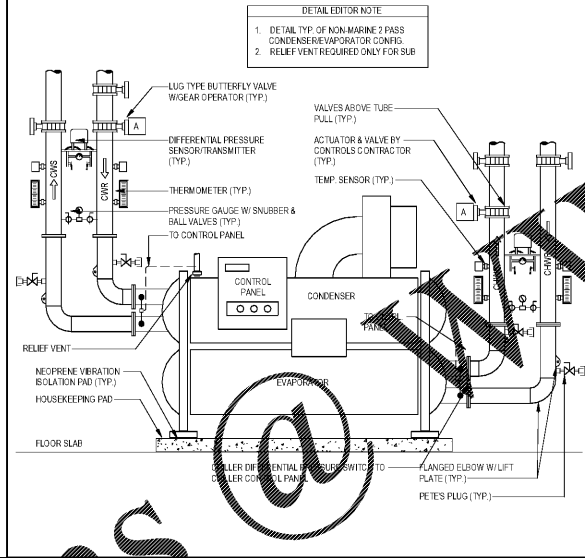
**BOILER CONNECTIONS**  
No Scale



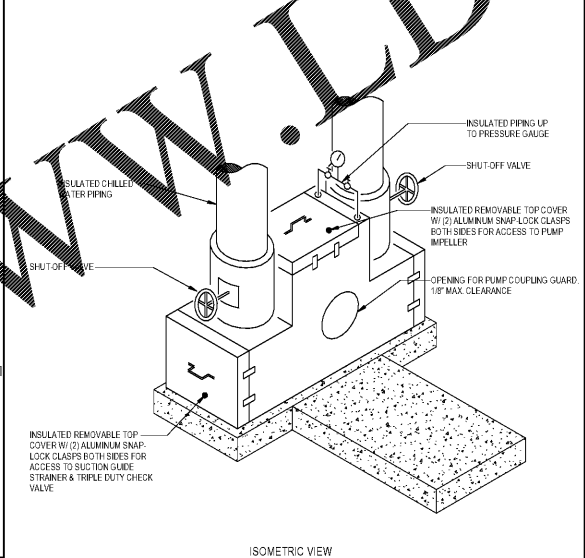
**AIR SEPARATOR/ELIMIN. & EXPANSION TANK PIPING**  
No Scale



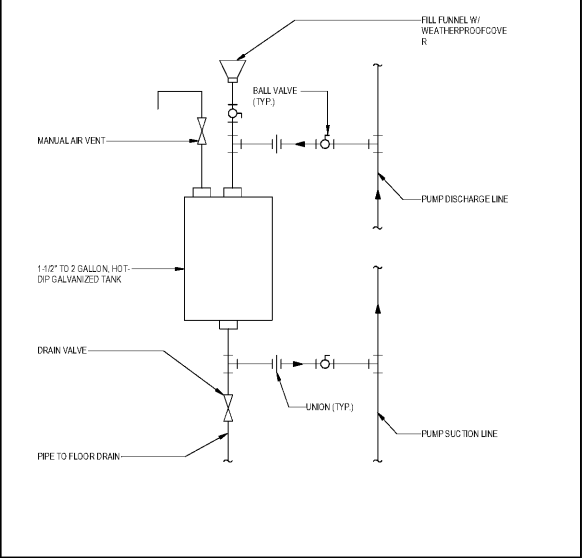
**VERTICAL IN-LINE PUMP PIPE MOUNTED TYPE**  
No Scale



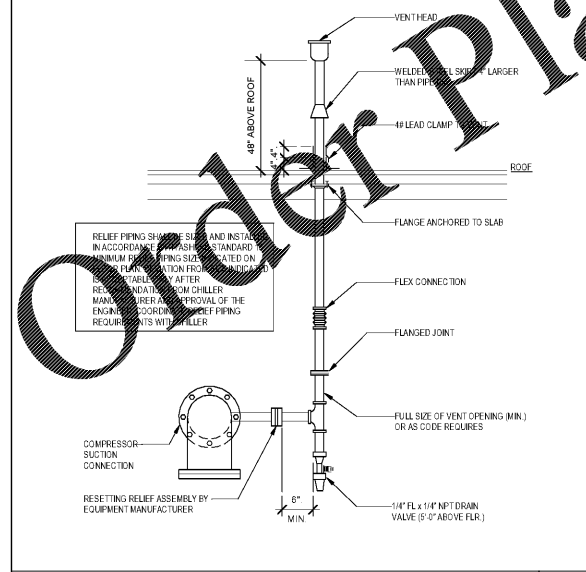
**WATER COOLED CHILLER PIPING**  
No Scale



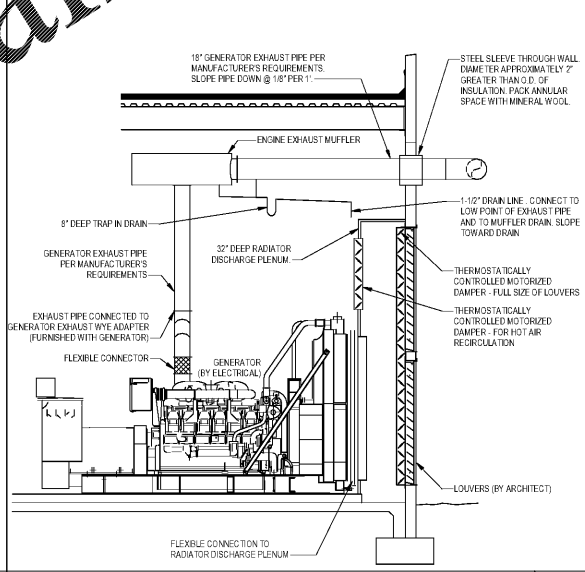
**INSULATED PUMP COVER**  
No Scale



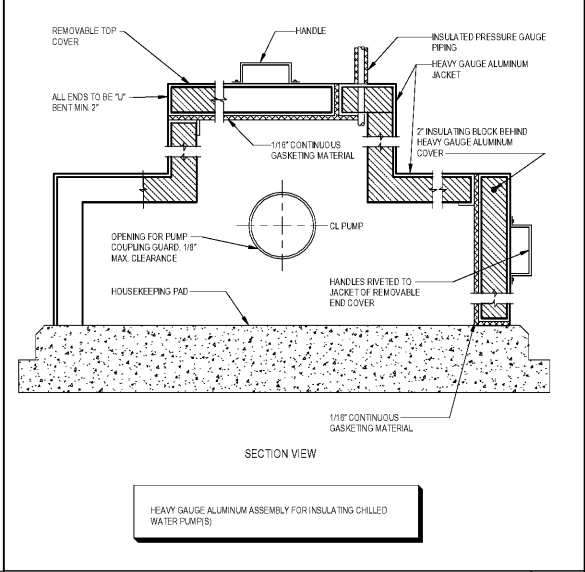
**CHEMICAL SHOT FEEDER**  
No Scale



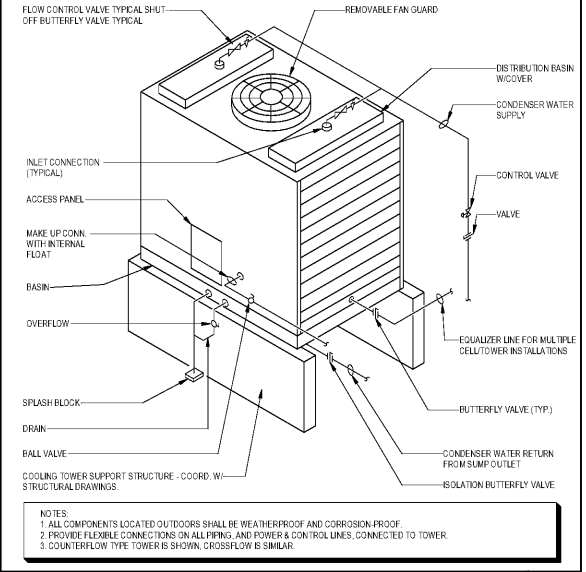
**REFRIGERANT RELIEF PIPING**  
No Scale



**GENERATOR EXHAUST DETAIL**  
No Scale



**INSULATED PUMP COVER**  
No Scale



**COOLING TOWER PIPING**  
No Scale



Project  
**THE CENTER FOR ADVANCED SURGICAL SERVICES (CASS)**  
88 JESSE HILL DRIVE  
ATLANTA, GA 30303

Prepared For  
**GRADY HEALTH SYSTEM**  
80 JESSE HILL DR. SE  
ATLANTA, GA 30303

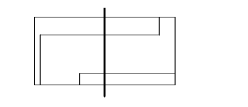


Hellmuth, Obata & Kassabaum, Inc.  
191 Peachtree Street, NE, Suite 2250  
Atlanta, GA 30303 USA  
+1 404 439 9000 F +1 404 439 9001

All reproduction & intellectual property rights reserved © 2010  
In Association with



Key Plan



Professional Seals  
Benjamin Roseborough, P.E.  
Georgia License #PE036005

**NOT FOR CONSTRUCTION**

No.	Description	Date
1	BO-GMP	2/19/07-03

Project No. 18-16013-00  
Sheet Title

**MECHANICAL DETAILS**

Original is 30 x 40. Do not scale contents of this drawing.  
Sheet Number

**M401**