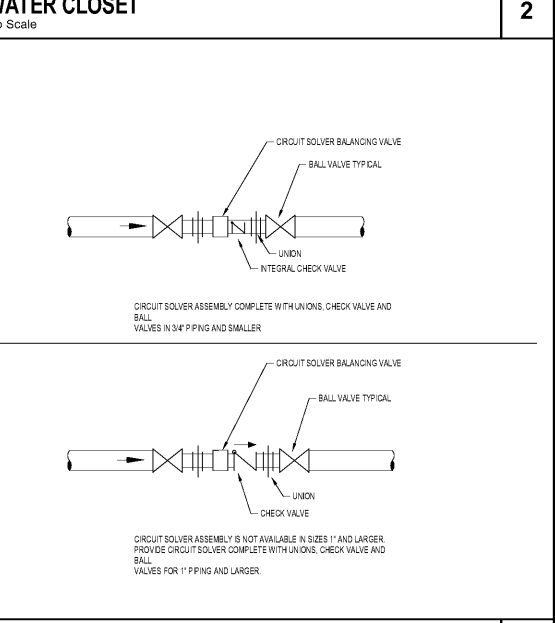
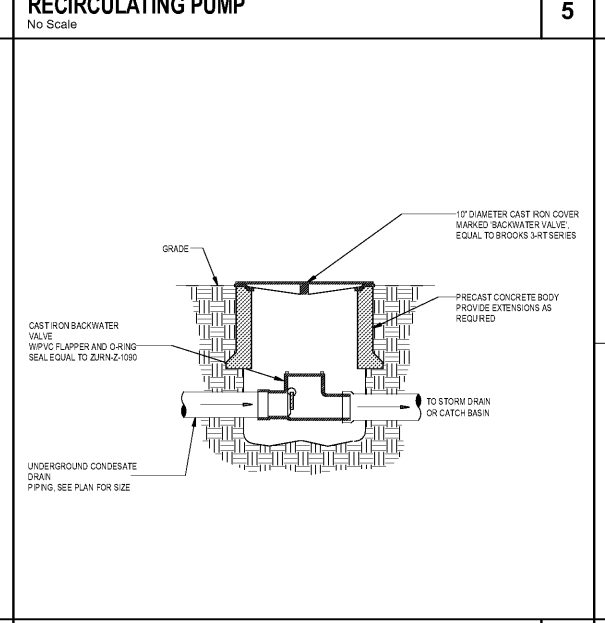
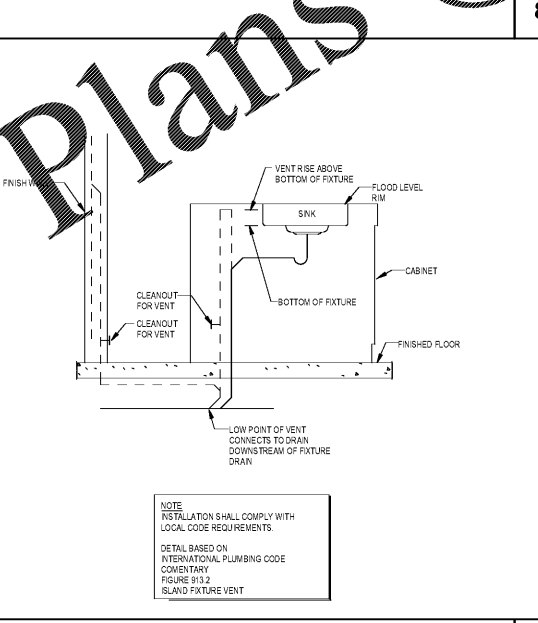
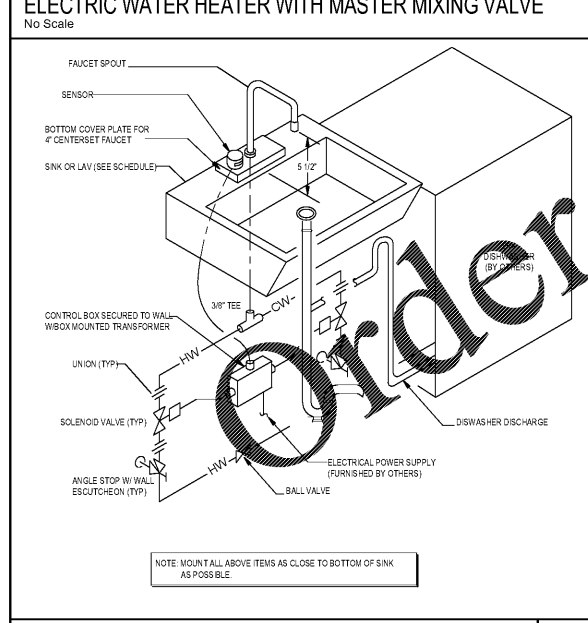
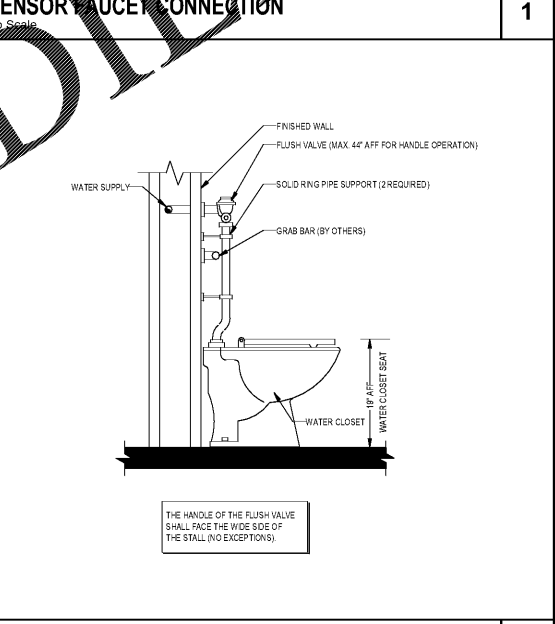
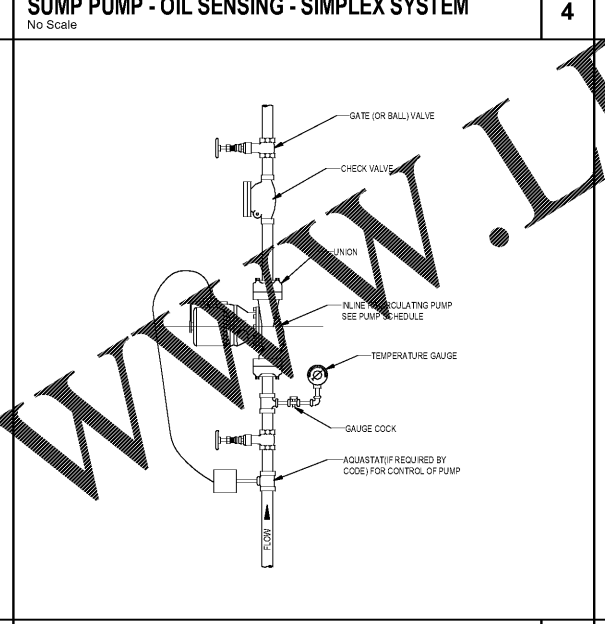
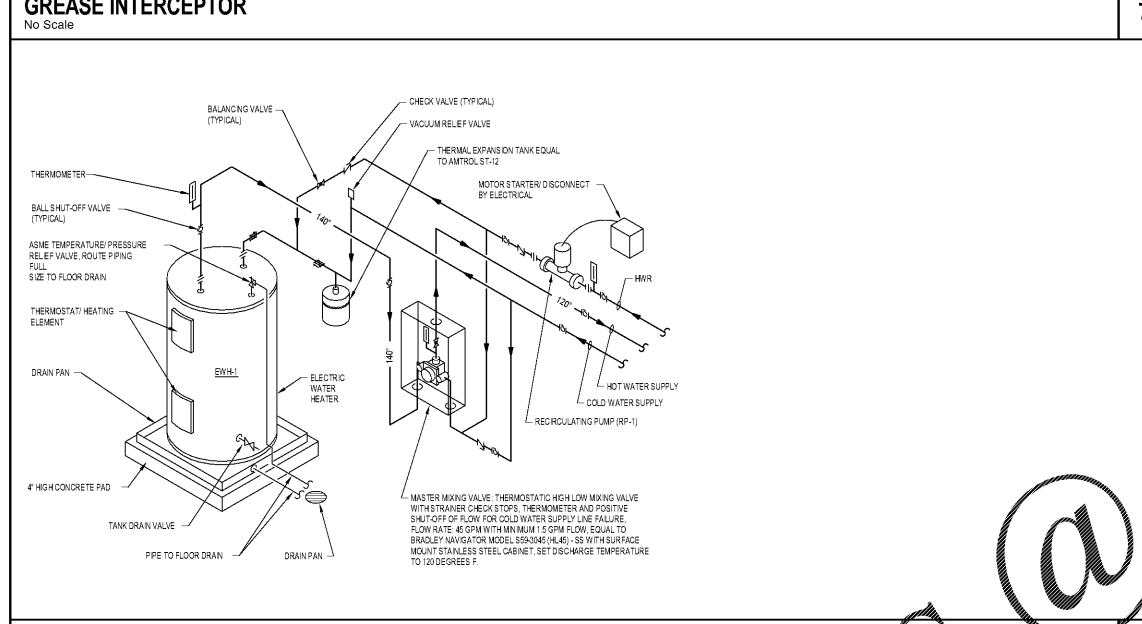
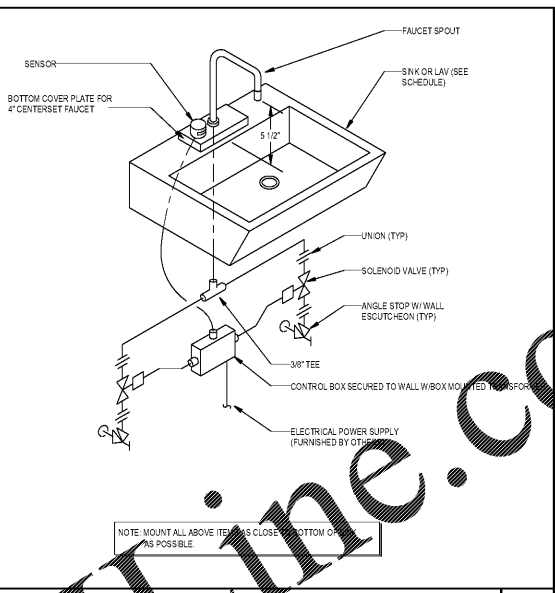
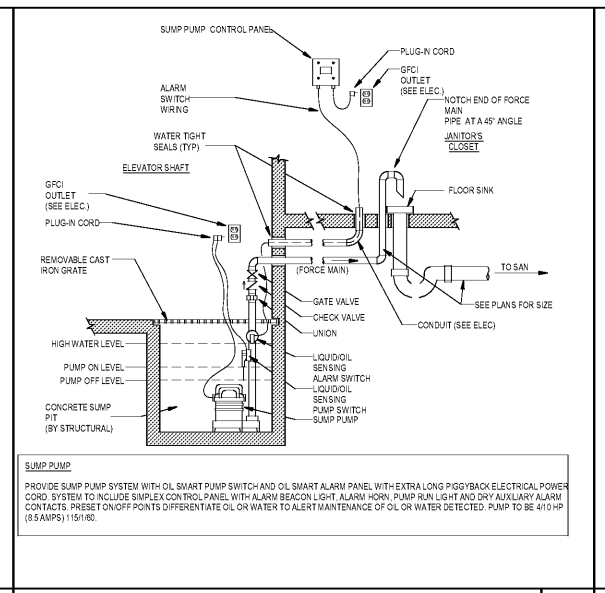
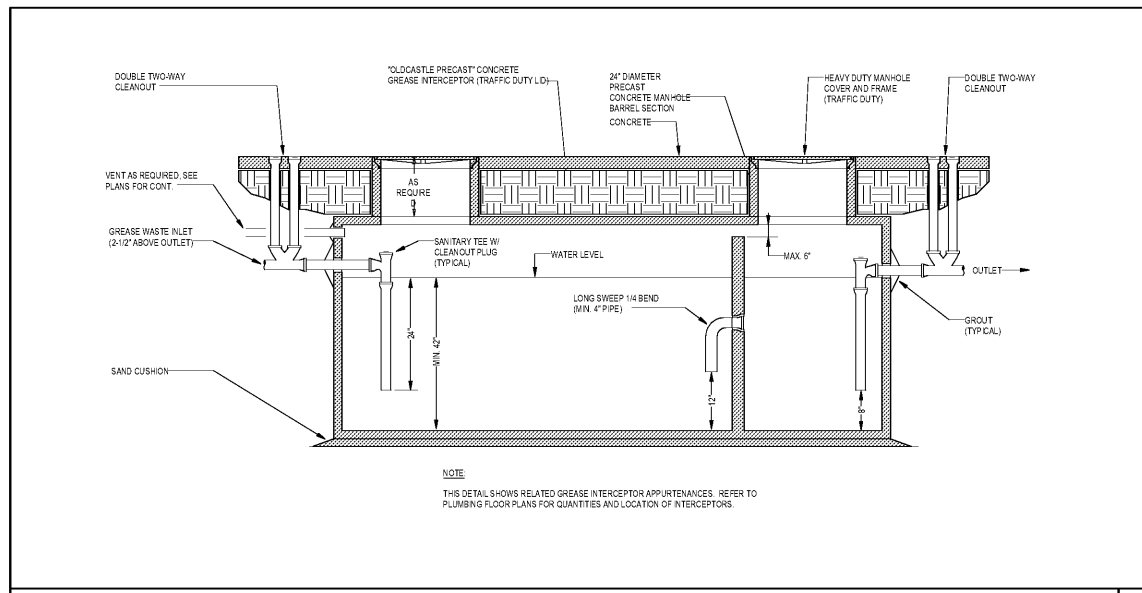


**NOT FOR
CONSTRUCTION**

No.	Description	Date
1	ED - GMP	2019-07-03



DISWASHER CONNECTION - UNDER COUNTER
No Scale

ISLAND SINK VENT
No Scale

BACKWATER VALVE
No Scale

CIRCUIT SOLVER VALVE HWR SYSTEM
No Scale

7	GREASE INTERCEPTOR No Scale	8	ELECTRIC WATER HEATER WITH MASTER MIXING VALVE No Scale	9	ISLAND SINK VENT No Scale	12	DISWASHER CONNECTION - UNDER COUNTER No Scale
4	SUMP PUMP - OIL SENSING - SIMPLEX SYSTEM No Scale	5	RECIRCULATING PUMP No Scale	6	BACKWATER VALVE No Scale	3	CIRCUIT SOLVER VALVE HWR SYSTEM No Scale
1	SENSOR FAUCET CONNECTION No Scale	2	WATER CLOSET No Scale				