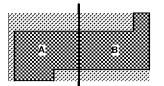




Key Plan



Professional Seal

**NOT FOR
 CONSTRUCTION**

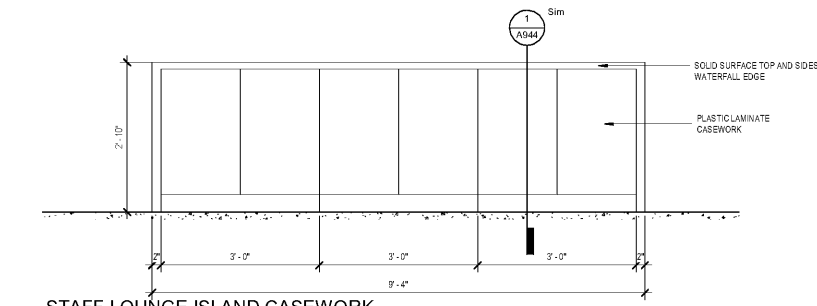
No.	Description	Date
1	DD - GMP	2019-07-03

Project No: 18.16013.00
 Sheet Title

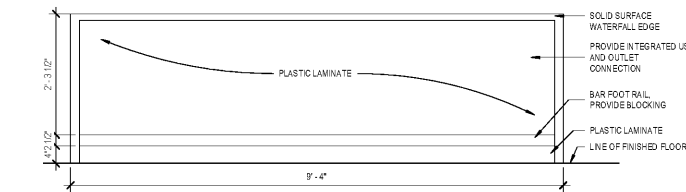
**MILLWORK - GROUND
 LAB CHECKIN DESK**

Original is 20 x 43. Do not scale contents of this drawing
 Sheet Number

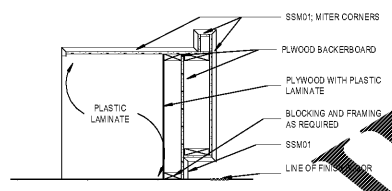
A961



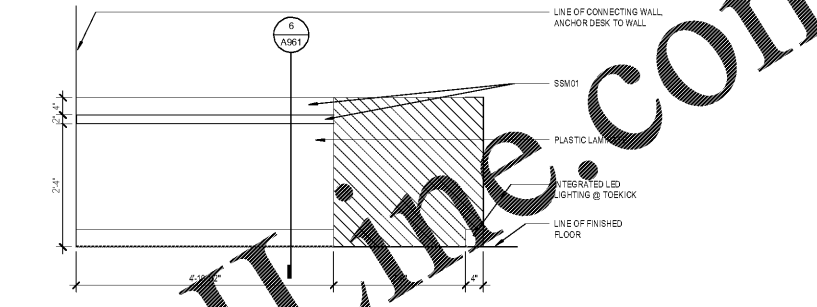
9 STAFF LOUNGE ISLAND CASEWORK ELEVATION
 3/4" = 1'-0"



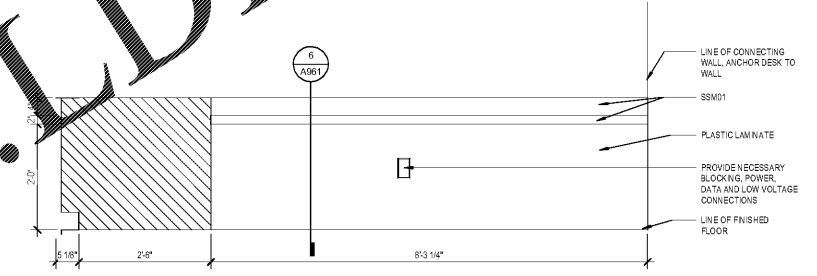
8 STAFF LOUNGE ISLAND
 3/4" = 1'-0"



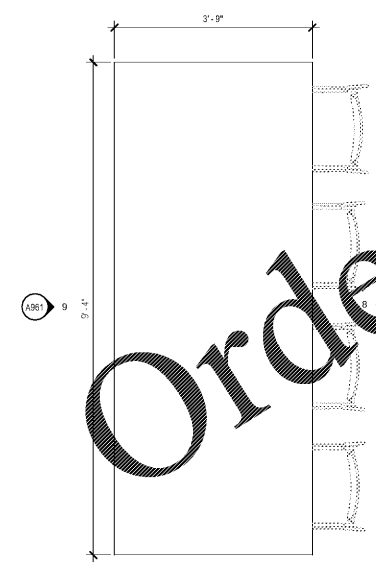
6 SECTION RECEPTION DESK
 3/4" = 1'-0"



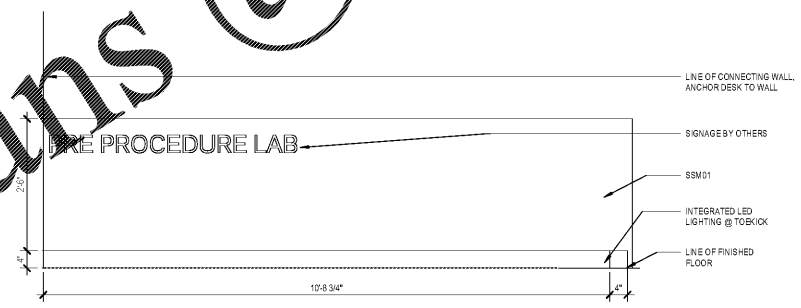
3 GROUND - LAB RECEPTION DESK EAST
 3/4" = 1'-0"



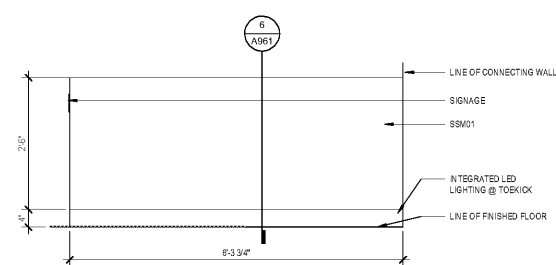
2 GROUND - LAB RECEPTION DESK SOUTH
 3/4" = 1'-0"



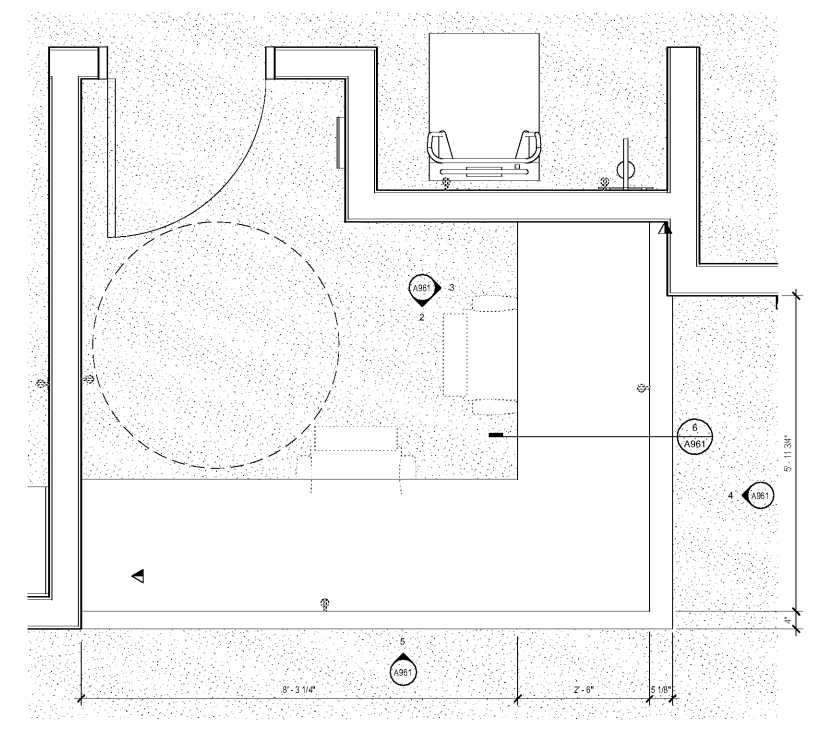
7 TYPICAL STAFF LOUNGE ISLAND
 3/4" = 1'-0"



5 GROUND - LAB RECEPTION DESK NORTH
 3/4" = 1'-0"



4 GROUND - LAB RECEPTION DESK WEST
 3/4" = 1'-0"



1 ENLARGED FLOOR PLAN - GROUND LAB WAITING
 3/4" = 1'-0"