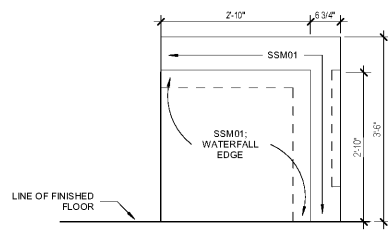
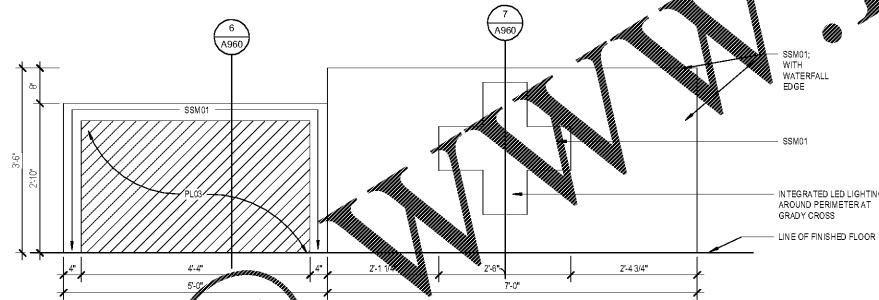


7 RECEPTION DETAIL
 1 1/2" = 1'-0"

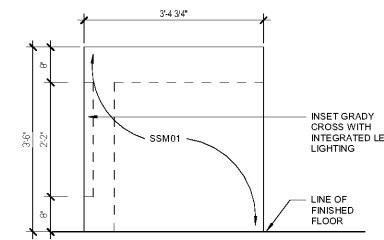
6 RECEPTION DESK ADA SECTION
 1 1/2" = 1'-0"



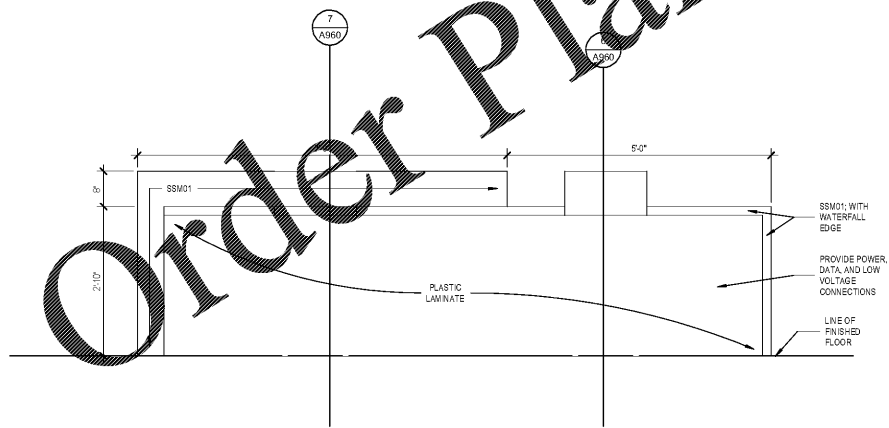
5 GROUND RECEPTION DESK - WEST
 3/4" = 1'-0"



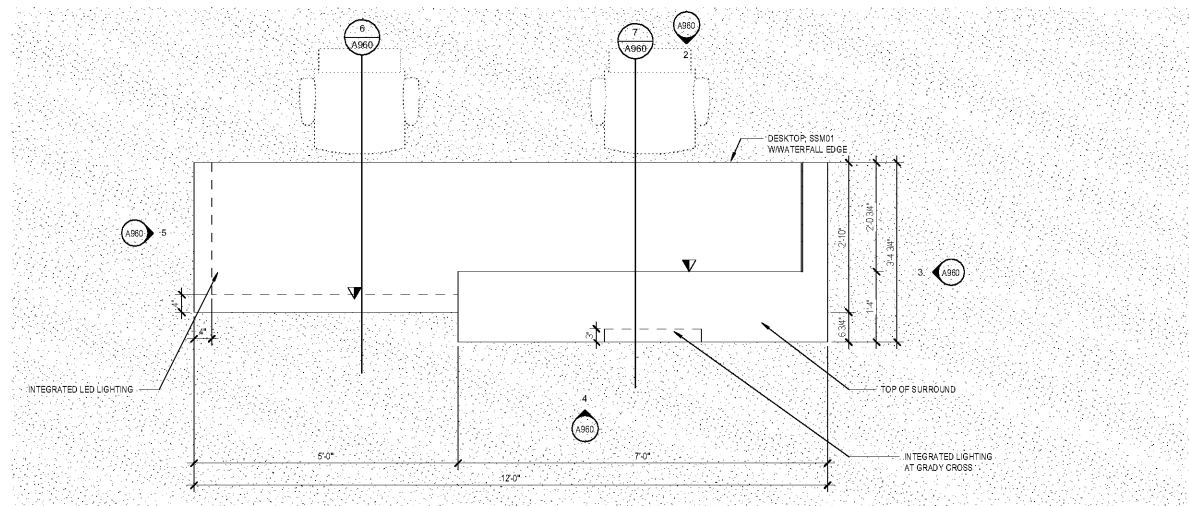
4 GROUND RECEPTION DESK - NORTH
 3/4" = 1'-0"



3 GROUND RECEPTION DESK - EAST
 3/4" = 1'-0"

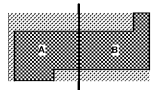


2 GROUND RECEPTION DESK - SOUTH
 3/4" = 1'-0"



1 ENLARGED FLOOR PLAN - GROUND RECEPTION
 3/4" = 1'-0"

Key Plan



Professional Seals

**NOT FOR
 CONSTRUCTION**

No. Description Date

1 ED: GMP 2019.07.03

Project No: 18.16013.00

Sheet Title

**MILLWORK - GROUND
 RECEPTION DESK**

Original is 30 x 42. Do not scale contents of this drawing.
 Sheet Number

A960