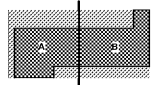




Key Plan



Professional Seal

**NOT FOR
 CONSTRUCTION**

No. Description Date

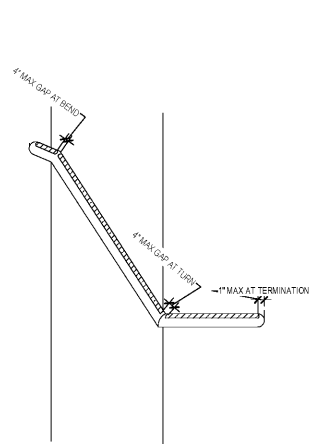
1. DC - GMP 2019.07.03

Project No: 18.16013.00
 Sheet Title

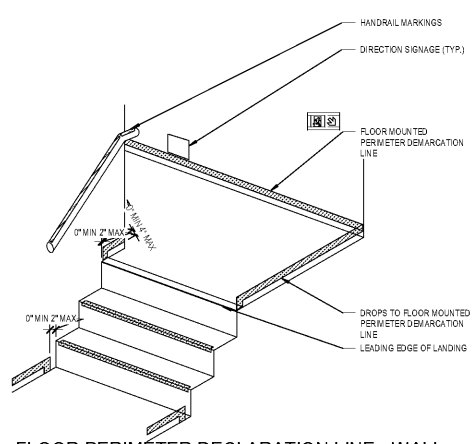
**PHOTOLUMINESCENT
 MARKING DETAILS**

Original is 30 x 42. Do not scale contents of this drawing.
 Sheet Number

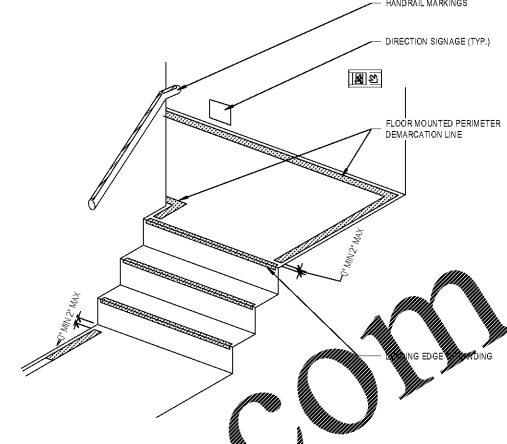
A952



12 HANDRAIL PHOTOLUMINESCENT MARKINGS
 3/4" = 1'-0"

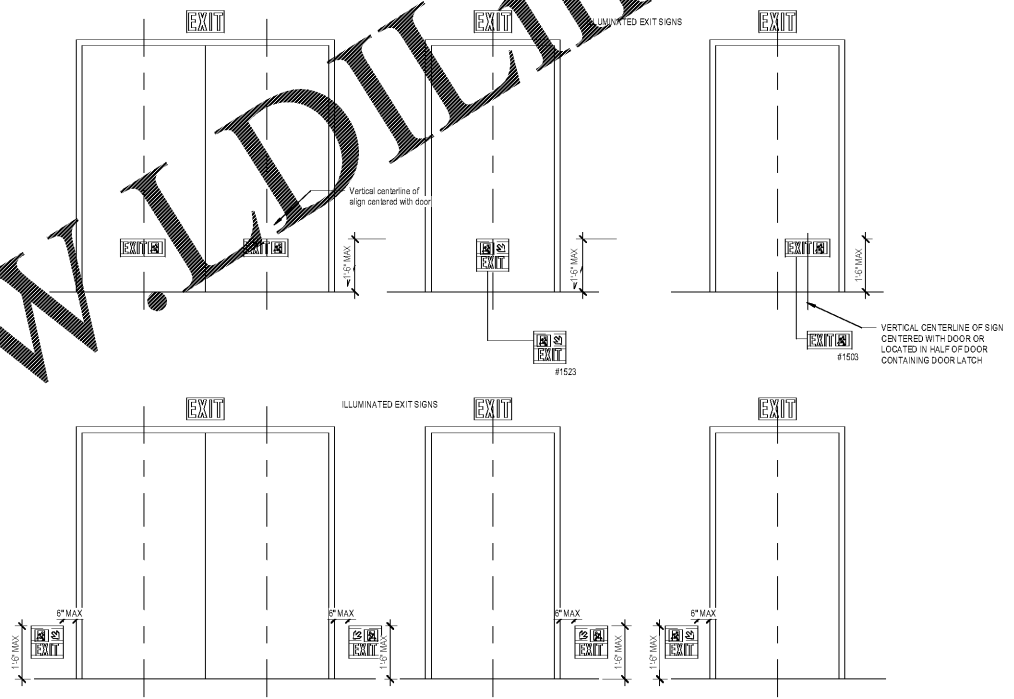


11 FLOOR PERIMETER DECLARATION LINE - WALL MOUNTED OPTION
 1/2" = 1'-0"

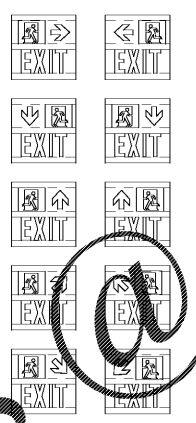


10 FLOOR PERIMETER DECLARATION LINE - FLOOR MOUNTED DIAGRAM
 1/2" = 1'-0"

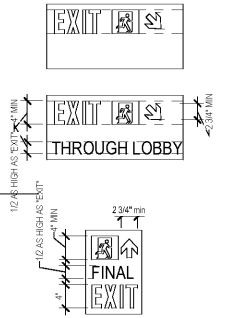
VARIOUS ACCEPTABLE PLACEMENTS FOR DOOR MOUNTED OPTIONS.*
 20" MAX WHERE NECESSARY FOR EXISTING BUILDINGS PER 2.1.1



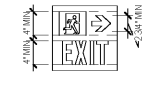
4 DOOR MOUNTED OPTIONS 2.1.1.1
 1/2" = 1'-0"



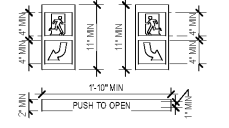
5 WALL MOUNTED DOOR SIGNS ORIENTATIONS
 1" = 1'-0"



6 INTERMEDIATE AND FINAL EXIT SIGNS 2.2.9
 1" = 1'-0"



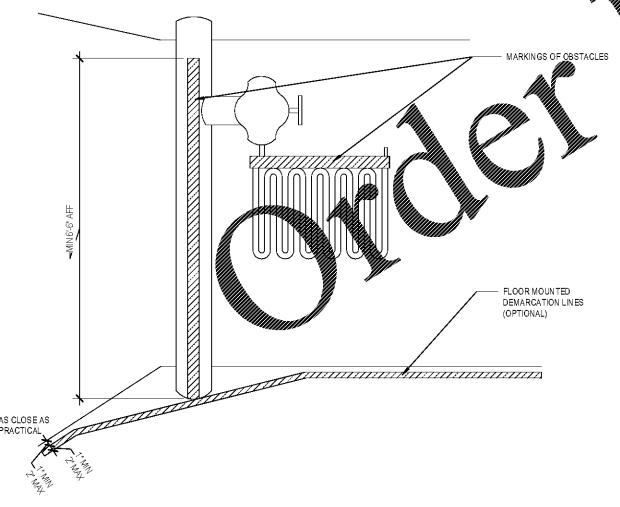
9 WALL MOUNTED DOOR SIGNS 2.1.1.2
 1" = 1'-0"



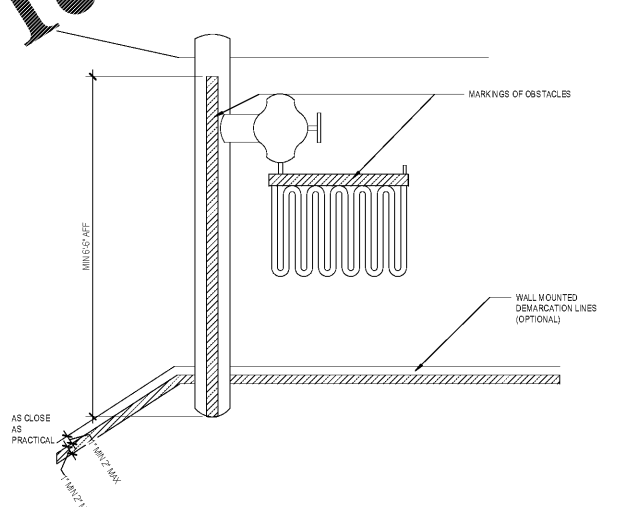
8 DOOR HARDWARE MARKINGS 2.2.9.2
 1" = 1'-0"



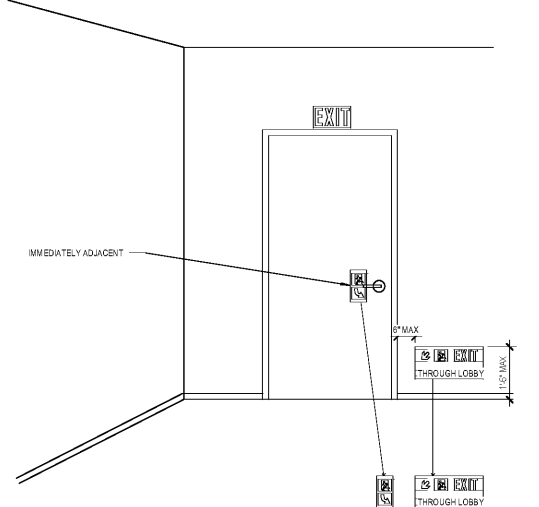
7 DOOR MOUNTED EXIT SIGNS 2.1.1.1
 1" = 1'-0"



3 OBSTACLE DEMARCATION LINES 2.2.5
 1/2" = 1'-0"



2 INTERMEDIATE EXIT OPTIONS 2.2.9
 1/2" = 1'-0"



1 FINAL EXIT OPTIONS 2.2.9
 1/2" = 1'-0"