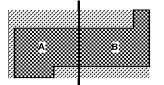




Key Plan



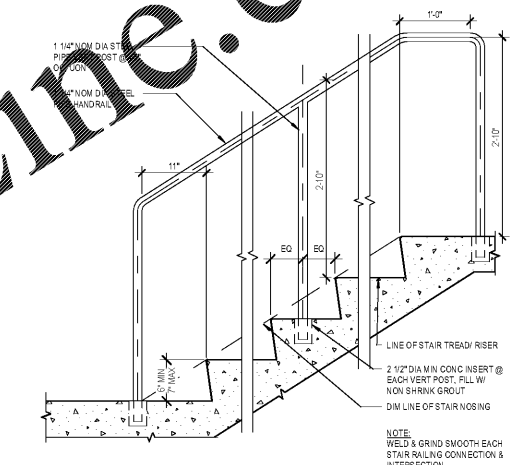
Professional Seals

**NOT FOR
CONSTRUCTION**

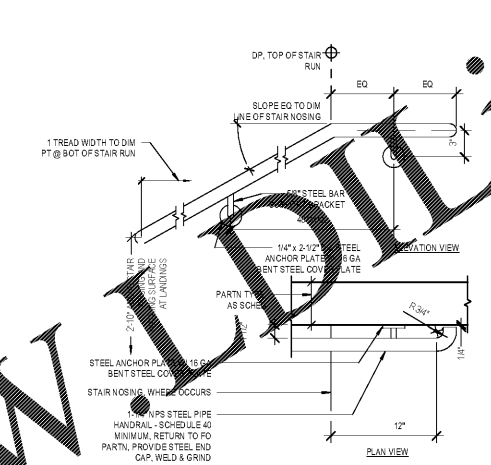
No.	Description	Date
1	ED: GMP	2019.07.03

Project No: 18.16013.00
Sheet Title

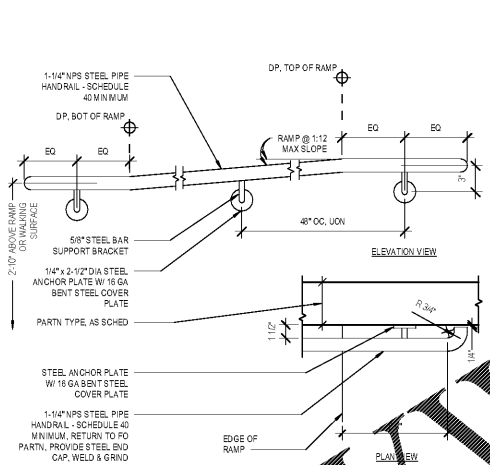
**GUARD AND HAND
RAILING DETAILS**



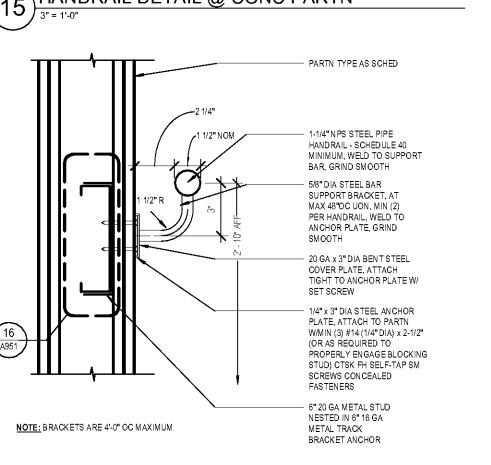
11 STAIR INTERMEDIATE RAILING
1" = 1'-0"



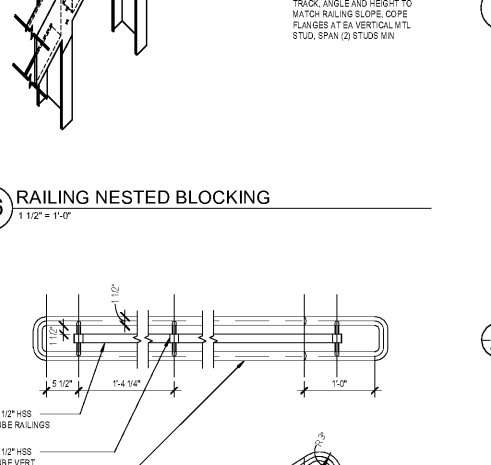
12 HANDRAIL @ STAIR
1" = 1'-0"



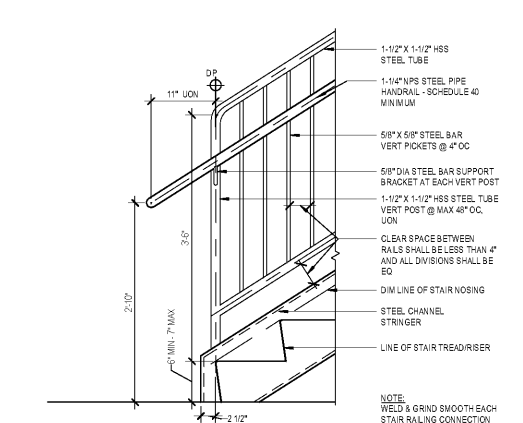
13 HANDRAIL @ RAMP
1" = 1'-0"



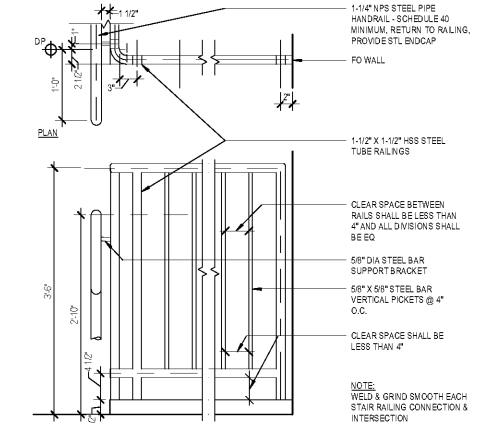
14 HANDRAIL DETAIL
3" = 1'-0"



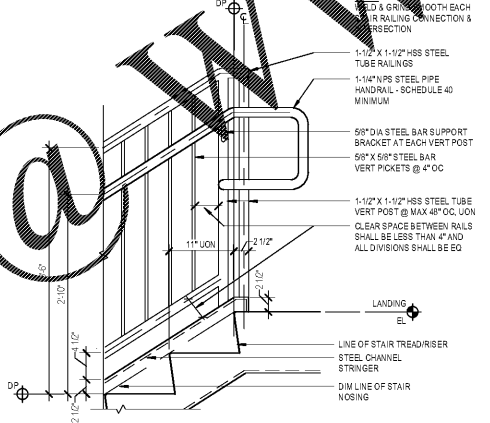
15 HANDRAIL DETAIL @ CONC PARTN
3" = 1'-0"



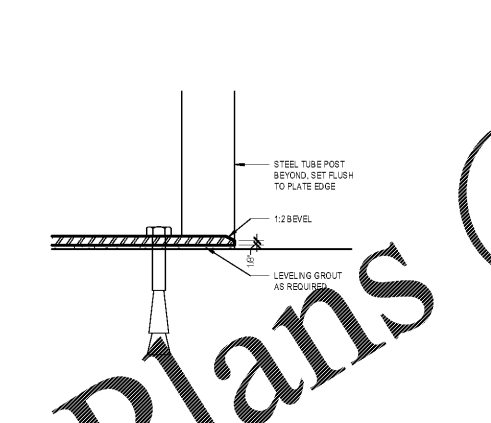
16 RAILING NESTED BLOCKING
1 1/2" = 1'-0"



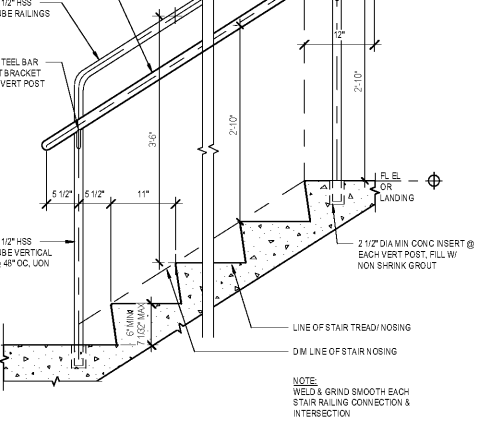
17 STAIR RAIL TERMINATION @ TOP LANDING
1" = 1'-0"



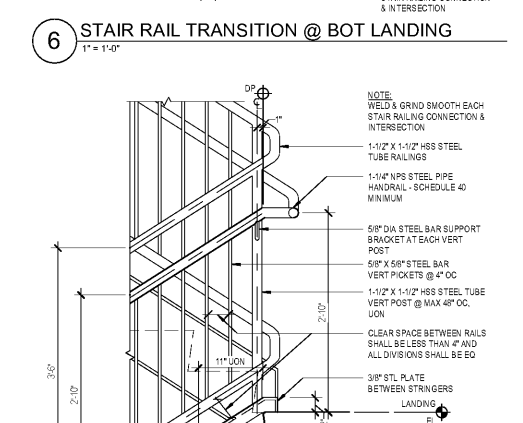
18 STAIR RAILING TRANSITION AT LANDINGS
1" = 1'-0"



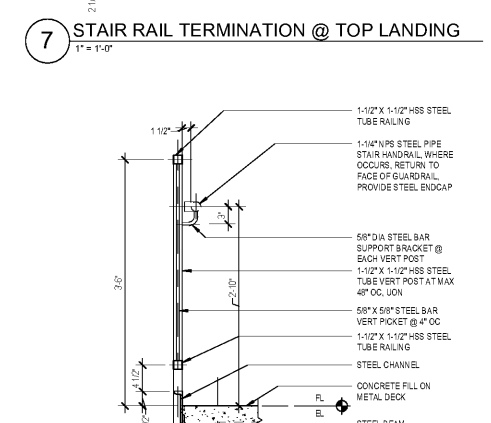
19 STAIR POST ANCHOR PLATE DETAIL
3" = 1'-0"



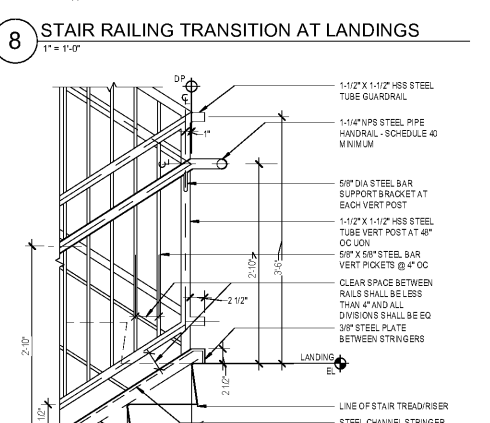
20 STAIR INTERMEDIATE RAILING
1" = 1'-0"



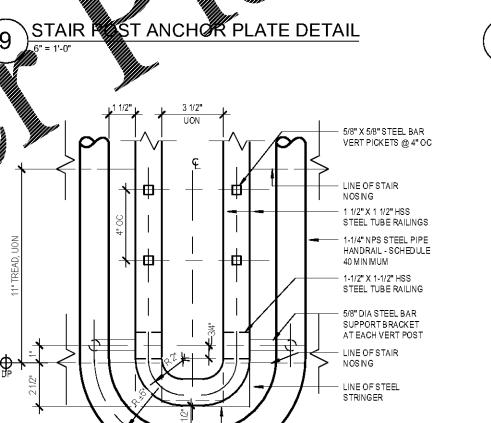
21 STAIR RAIL TRANSITION @ BOT LANDING
1" = 1'-0"



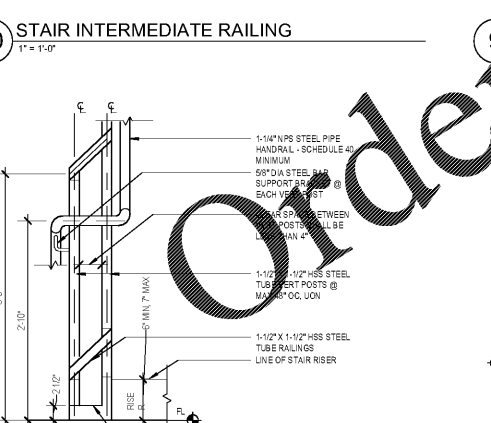
22 GUARDRAIL SECTION
1" = 1'-0"



23 STAIR GUARDRAIL TRANSITION @ LANDING
1" = 1'-0"



24 STAIR RAILING TRANSITION @ LANDINGS
3" = 1'-0"



25 STAIR RAILING TRANSITION AT LANDINGS
1" = 1'-0"