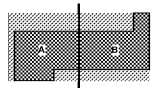




Key Plan



Professional Seal

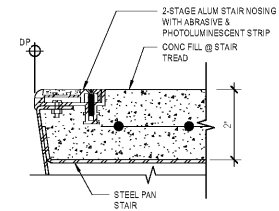
**NOT FOR  
 CONSTRUCTION**

No.	Description	Date
1	ED: GMP	2019.07.03

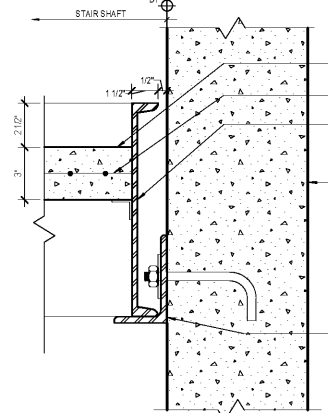
Project No: 18.16013.00  
 Sheet Title

**INTERIOR STAIR  
 DETAILS**

WWW.LDILine.com

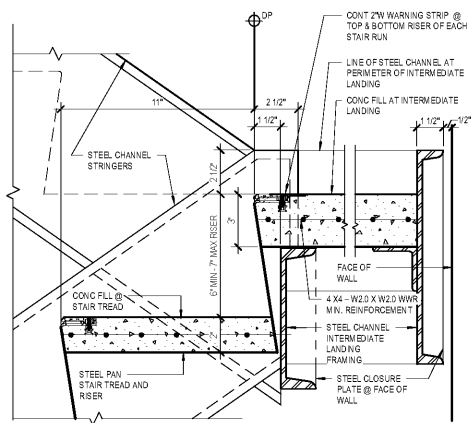


**25 NOSING DETAIL**  
 6" = 1'-0"

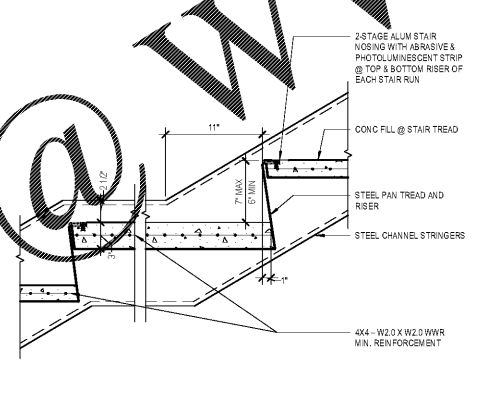


**21 INTERMEDIATE LANDING SUPPORT DETAIL**  
 3" = 1'-0"

**20 SUPPORT POST @ INTERMEDIATE LANDING**  
 1 1/2" = 1'-0"

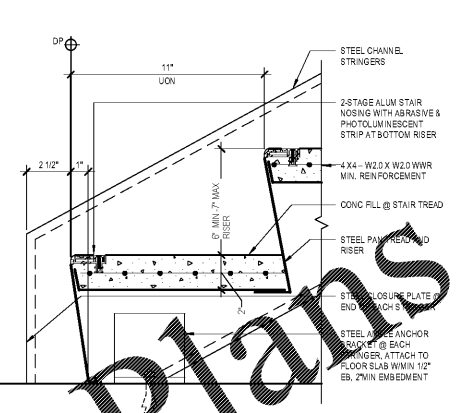
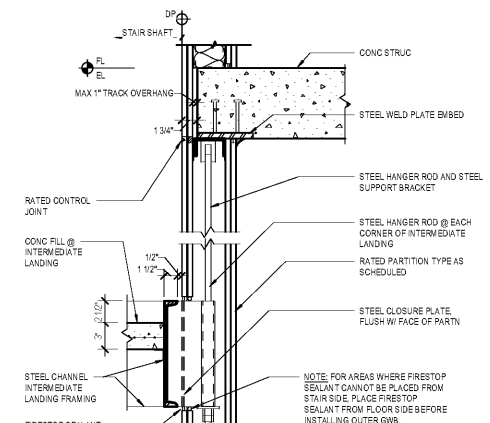


**1 STAIR AT INTERMEDIATE LANDING DETAIL**  
 3" = 1'-0"



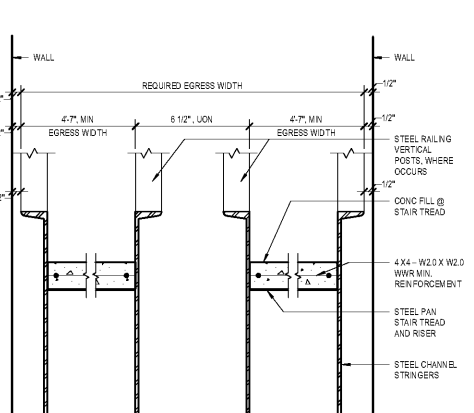
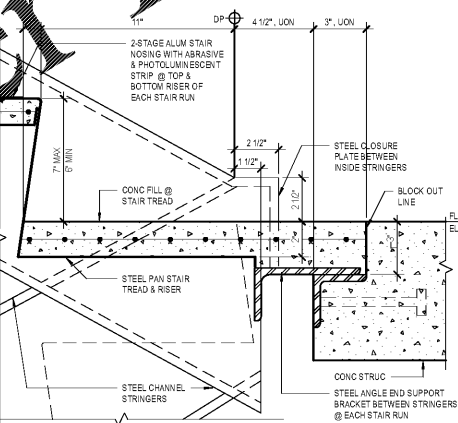
**22 STAIR @ INTERMEDIATE LANDING**  
 1 1/2" = 1'-0"

**17 HANGER ROD AT INTERMEDIATE LANDING**  
 1 1/2" = 1'-0"



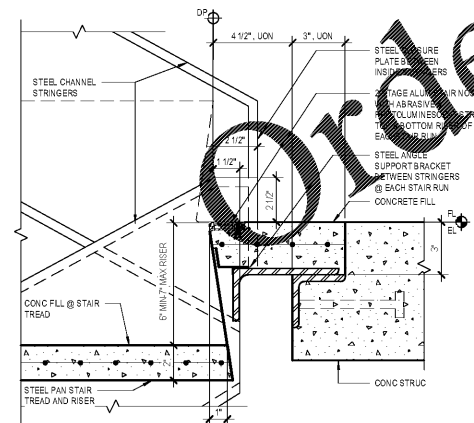
**23 STAIR AT FLOOR SLAB DETAIL**  
 1'-0" = 1'-0"

**18 STAIR AT FLOOR SLAB DETAIL**  
 3" = 1'-0"



**24 STAIR CROSS SECTION**  
 3" = 1'-0"

**19 STAIR AT FLOOR SLAB DETAIL**  
 3" = 1'-0"



2019-07-03 4:58:36 PM