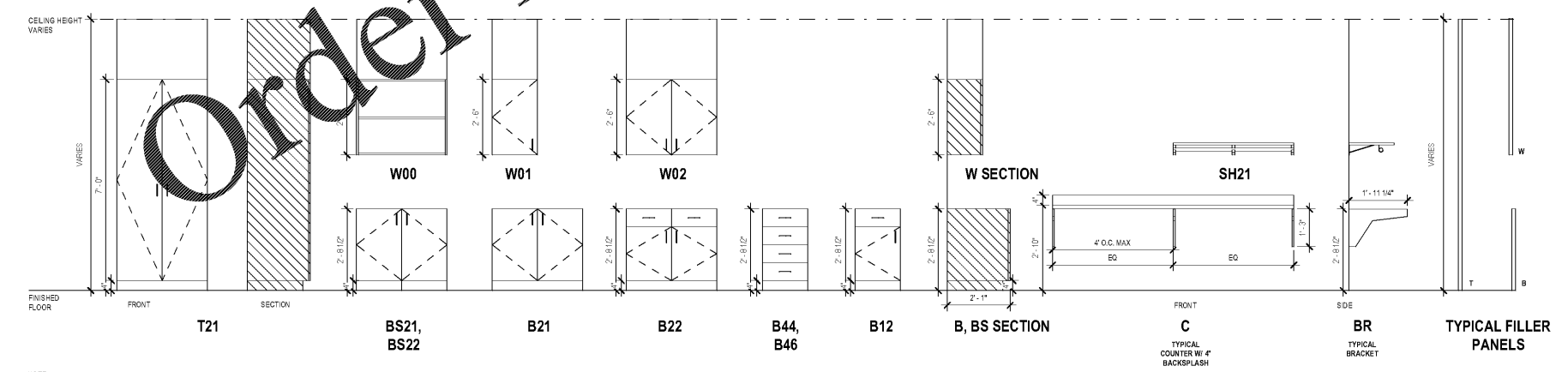
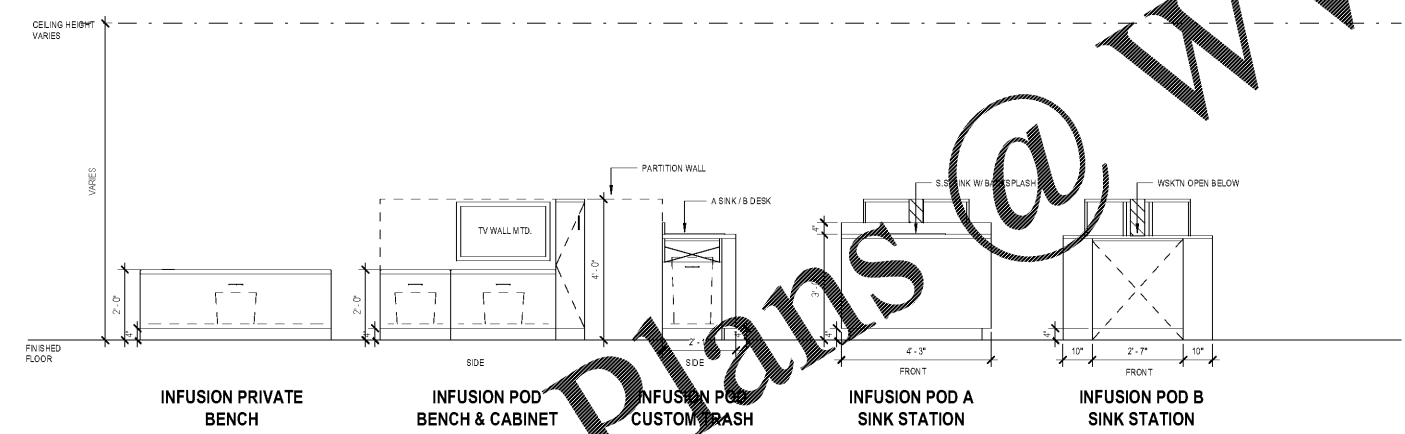
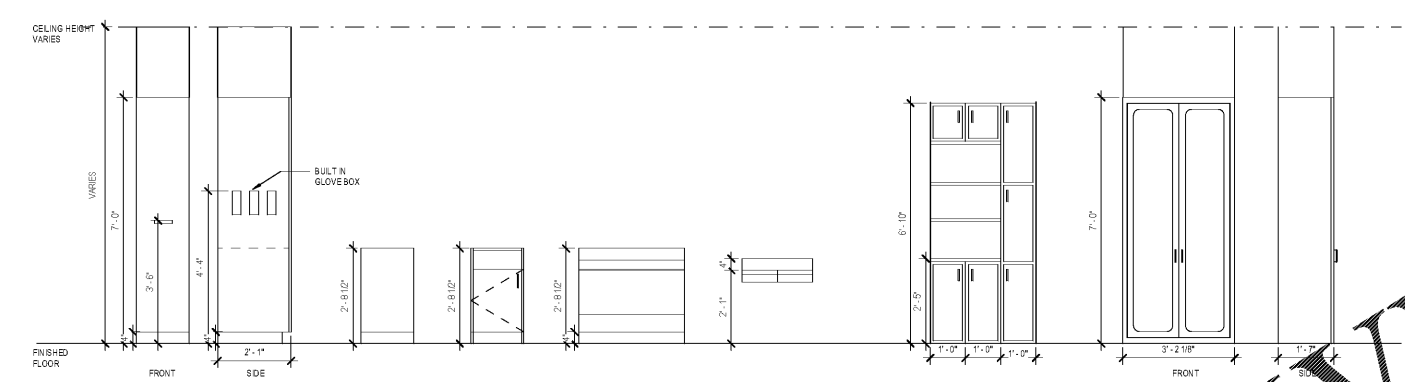


NOTES TO THE DOCUMENTER THIS IS A FAKE ONE-OF-EVERYTHING ELEVATION THAT WOULD NEVER OCCUR IN REAL LIFE. THIS DETAIL LINES ELEVATION IS USUALLY A SOURCE FROM WHICH YOU CAN COPY ITEMS TO ROUND OUT YOUR ELEVATIONS

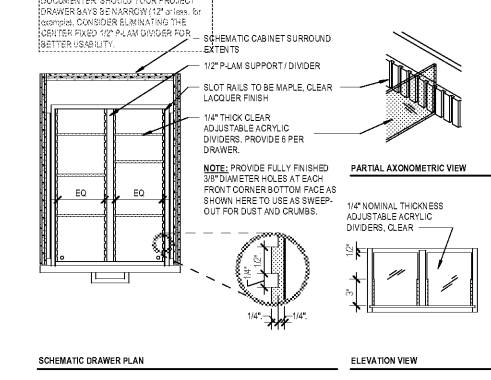
- TYPICAL CABINET DOOR LEAF TO BE NO GREATER THAN 18" WIDE. OPTIMAL PANEL WIDTH IS 15" FOR A 30" PAIR.
- OPEN SHELVES SAY TO BE NO GREATER THAN 30" WIDE.
- BE MINDFUL OF SINK PLACEMENT AS SIDE-APPROACH SINKS CANNOT BE PLACED IN CORNERS OR ENDS OF CABINET RUNS. SINK CABINET TO BE MINIMUM 30" FOR A SINGLE BOWL SINK AND 36" FOR A DOUBLE BOWL SINK. GUIDELINES HAVE THREE SINK SECTION OPTIONS FROM WHICH TO CHOOSE. PREFERRED IS CLOSED CABINET UNLESS A COOKTOP IS PRESENT IN THE ROOM.
- TYPICAL DRAWER CABINETS TO BE NO GREATER THAN 18" WIDE. WIDER DRAWERS REQUIRE UNDERMOUNT DRAWER GLODES AND A DIFFERENT DETAIL. OPTIMAL DRAWER WIDTH IS 15".
- PANTRY REQUIRES EITHER A LOW BACKSPLASH RAIL TO MATCH THE COUNTERTOP OR A FULL-HEIGHT BACKSPLASH OF SOLID SURFACE PANELS, WALL TILE OR GLASS PANELS. 4" BACKSPLASH IS SHOWN HERE.
- THESE SQUARES INDICATE THE SCHEMATIC PLACEMENT OF VINYL GRAPHICS AT TRASH COMPARTMENTS. COORDINATE COMPARTMENT TYPES / LABELS WITH CLIENT. GUIDELINES HERE INCLUDE FOUR VINYL VARIATIONS FROM WHICH TO SELECT.
- VERTICAL FULL-HEIGHT SIDE PANELS ARE SHOWN HERE FOR CONVENIENCE IN COPING ELEVATION SEGMENTS INTO A PROJECT. EXPRESSED FULL-HEIGHT PANELS ARE NOT REQUIRED BETWEEN ADJACENT TALL CABINETS. FULL-HEIGHT PANELS ARE ONLY REQUIRED AT THE OUTSIDE ENDS / BOUNDARIES OF TALL CABINET CLUSTER.
- OMIT PULLS ON THE VERY SMALL DOOR PANELS ABOVE REFRIGERATOR AS WELL AS AT THE SERVICE DOORS AT TALL EQUIPMENT. THESE ARE INFREQUENT-USE DOORS.
- DEFAULT RECEPTACLE DEVICE AND PLATE COLOR IS TYPICALLY WHITE. EVALUATE IF THAT IS THE CORRECT FINISH FOR THE BACKSPLASH MATERIAL, OR PAINT COLOR AND CALL OUT A MORE EMPATHETIC COLOR (BLACK / STAINLESS / ETC) IF APPROPRIATE AT BOTH ELEVATION AND POWER PLAN.
- MICROWAVES ARE SHOWN THROUGHOUT THE GUIDELINES AS HAVING METAL TRIM KIT SURROUNDS PRODUCED BY THE MICROWAVE MANUFACTURER. SURROUNDS ARE OPTIONAL, BUT ARE RECOMMENDED FOR A CLEAN APPEARANCE. TRIM KITS TYPICALLY NEED 1" OF AIR SPACE AT ALL EDGES TO ALLOW FOR AIR EXCHANGE. SO ILLUSTRATE THAT SPACING ON ELEVATION, AS IT IS HERE.
- REFER TO THE GUIDELINE DETAILS FOR MINIMUM CABINET WIDTHS AT THE SPECIALTY EQUIPMENT BAYS OR TRASH COMPARTMENTS WHEN DRAWING CABINET ELEVATIONS. ALL HAVE RESTRICTIONS FOR MINIMUM WIDTHS.
- BE MINDFUL THAT REFRIGERATOR DOORS CAN HAVE WIDE THROWS DURING OPERATION. ADJUST PARTITION OR PERPENDICULAR PROJECTION TO BE MINIMUM 1/2" FROM EDGE OF FRIDGE. COORD WITH EQUIPMENT CLEARANCES.
- MANIPULATE DETAIL LINE WEIGHTS AT ELEVATIONS TO BE HEAVIER OBJECT LINES AT PERIMETERS OR OPENINGS. TO BE LIGHTER "FILL" LINES WITHIN THOSE BOUNDARIES. TYPICALLY:
 - FLOOR LINE = 4 CONTINUOUS + 4 SOLID GREY REGION
 - GWB OPENING AROUND MILLWORK = 3 CONTINUOUS
 - COUNTER TOPS = 2 CONTINUOUS
 - FULL-HEIGHT VERTICAL PANELS = 2 CONTINUOUS
 - OVERHEAD CABINET OUTSIDE EDGES = 2 CONTINUOUS
 - DOOR AND DRAWER PANEL SWINGS = 1 DASHED
 - ALL OTHER LINES = 1 CONTINUOUS

5 EXAMPLE ELEVATION FOR GRAPHICS
3/8" = 1'-0"

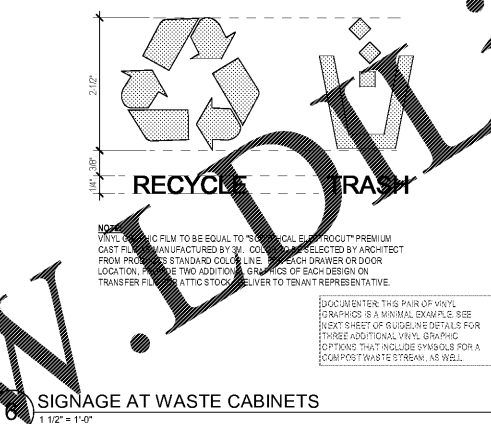
CASEWORK MOUNTING LEGEND



NOTE:
1) REFER TO FINISH PLANS FOR ADDITIONAL INFORMATION ON WALL PROTECTION SYSTEMS.
2) REFER TO A 941-944 FOR CLINICAL AND TYPICAL CASEWORK SECTIONS.
3) REFER TO A 830 AND A642 SERIES FOR LOCATIONS, DIMENSIONS AND ADDITIONAL CASEWORK INFORMATION.



4 DRAWER DIVIDERS
1/2" = 1'-0"



6 SIGNAGE AT WASTE CABINETS
1/2" = 1'-0"

CASEWORK GENERAL NOTES

1 NOTE THAT CABINET TYPES SHOWN ON THE CASEWORK DIAGRAM SHEETS ARE INDICATED ON FLOOR PLANS AND INTERIOR ELEVATIONS, AND EACH CABINET MAY BE MARKED BY THE "CASEWORK TAG" DESCRIBED BELOW.
2 THE "CASEWORK TAG" INDICATES THE "CASEWORK GROUP", "CASEWORK GROUP MODIFIER", "CABINET TYPE ID NUMBER", "OPTIONAL CABINET TYPE MARK", AND OPTIONAL "CABINET SIZE (WIDTH)".
3 DIMENSIONS SHOWN ON THE CASEWORK DIAGRAMS MEASURED TO FACE OF CABINET & TOP OF COUNTERTOP WHERE APPLICABLE. APPLY TO ALL CABINET TYPES IN EACH GROUP UNLESS OTHERWISE NOTED (LOU). REFER TO FLOOR PLANS, INTERIOR ELEVATIONS, OR CASEWORK TAGS FOR SUPPLEMENTAL CABINET DIMENSIONS.
4 REFER TO CABINET DETAILS, SHOWN IN SHEET CATEGORY A900, WHICH SUPPLEMENT THE CASEWORK DIAGRAMS AND INDICATE CABINET TYPES TO WHICH THE DETAIL APPLIES. CABINET ASSEMBLY COMPONENTS, QUANTITY AND LOCATION OF ADJUSTABLE SHELVES, DETAILED DIMENSIONS, AND OTHER REQUIREMENTS. NOTE THAT ALL DETAILED REQUIREMENTS FOR EACH CABINET ARE NOT INDICATED ON THE CASEWORK DIAGRAMS.
5 REFER TO CASEWORK DIAGRAMS, WHEN INCLUDED IN THE DOCUMENT SET IN SHEET CATEGORY A900, THAT INDICATE CABINET TYPE, LOCATION, AND DETAILED CRITERIA.

BASIC TAG (SHOWN IN PLAN):
WIDTH@ON
DEPTH@ON

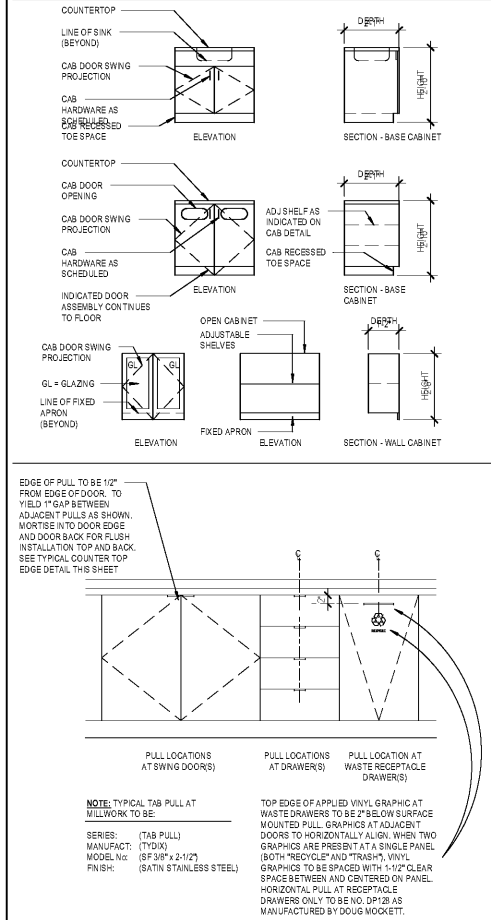
EXPANDED TAG (SHOWN IN ELEVATION):
GROUP MODIFIER CASEWORK GROUP
CABINET TYPE ID NUMBER (CABINET STYLE AND DIMENSIONS) COMPLY WITH THE STANDARD CABINET TYPE DIAGRAM
OPTIONAL TYPE MARK (CABINET SIZE) SHOWN IN SHEET CATEGORY A900

CASEWORK GROUPS
B STANDARD BASE CABINET
C CUSTOM CASEWORK ASSEMBLY
L LOW BASE CABINET - EQUIPMENT
T TALL STORAGE CABINET
U UTILITY CABINET - EQUIPMENT
W WALL MOUNTED CABINET
X SUSPENDED CABINET

CASEWORK GROUP MODIFIERS
E EQUIPMENT APPLIANCE MOUNTED INTO ASSEMBLY
F FILLER PANEL
K KNEE SPACE RECESS ASSEMBLY
M MOBILE CABINET ASSEMBLY
P PLUMBING CHASE INCLUDED IN ASSEMBLY
S SINK OR LABORATORY MOUNTED INTO ASSEMBLY
W WALL MOUNTED ASSEMBLY

CASEWORK CABINET GROUPS
B BASE CABINET
BE BASE CABINET - EQUIPMENT
BF BASE CABINET - FILLER PANEL
BK BASE CABINET - KNEE SPACE
BM BASE CABINET - MOBILE UNIT
BS BASE CABINET - SINK
C CUSTOM BASE CABINET
CE CUSTOM BASE CABINET - EQUIPMENT
CL CUSTOM LOW CABINET
CU CUSTOM UTILITY CABINET - KNEE SPACE
CX CUSTOM BASE CABINET - KNEE SPACE
CS CUSTOM BASE CABINET - SINK
CW CUSTOM WALL CABINET
CX CUSTOM SUSPENDED CABINET
L LOW CABINET
LE LOW CABINET - EQUIPMENT
LF LOW CABINET - FILLER PANEL
LK LOW CABINET - KNEE SPACE
LM LOW CABINET - MOBILE UNIT
LS LOW CABINET - SINK
SH SHELF ASSEMBLY
T TALL CABINET
TE TALL CABINET - EQUIPMENT
TF TALL CABINET - FILLER PANEL
UC UTILITY CABINET
UCU UTILITY CABINET - EQUIPMENT
UCUS UTILITY CABINET - KNEE SPACE
UW UTILITY CABINET - WALL MOUNTED
W WALL CABINET
WE WALL CABINET - EQUIPMENT
WF WALL CABINET - FILLER PANEL
X SUSPENDED CABINET

CASEWORK DIAGRAM LEGEND



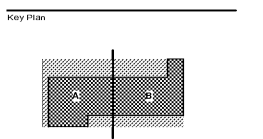
Project
**THE CENTER FOR
ADVANCED SURGICAL
SERVICES (CASS)**
80 GILMER STREET SE
ATLANTA, GA 30303

Prepared For
GRADY HEALTH SYSTEM
80 JESSE HILL DR. SE
ATLANTA, GA 30303



Helms: Orkin & Kastbaum, Inc.
133 Peachtree Street, NE, Suite 4800
Atlanta, GA 30303 USA
t+1 404 439 9000 f+1 404 439 9001

All reproduction & intellectual property rights reserved © 2019
An Association with



Professional Seals

**NOT FOR
CONSTRUCTION**

No.	Description	Date
1	ED - GMP	2019-07-03

Project No: 18.16013.00
Sheet Title

**CLINICAL CASEWORK -
GENERAL NOTES**

Original is 20 x 43. Do not scale contents of this drawing.
Sheet Number

A940