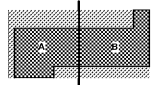




Key Plan



Professional Seal

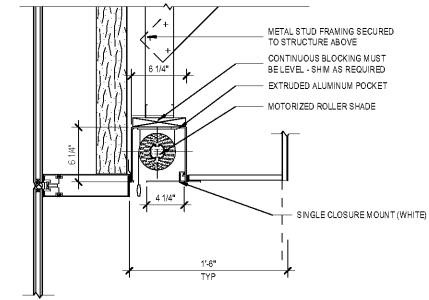
**NOT FOR  
 CONSTRUCTION**

No.	Description	Date
1	DC - GMP	2019-07-03

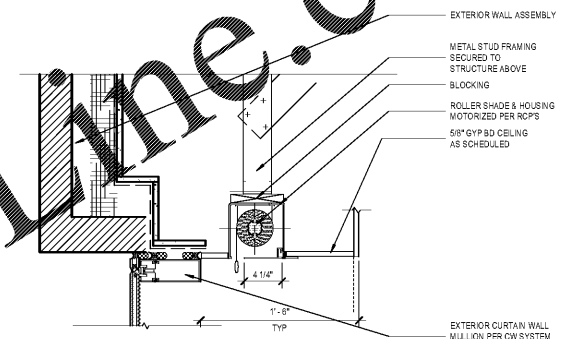
Project No: 18.16013.00

Sheet Title

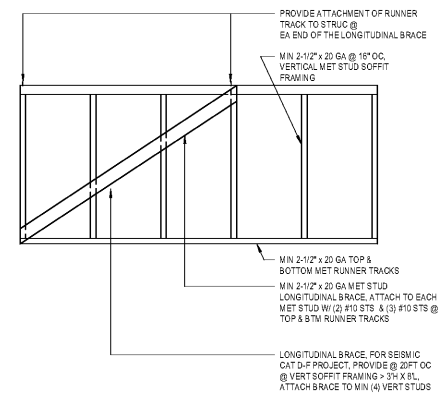
**INTERIOR CEILING  
 DETAILS**



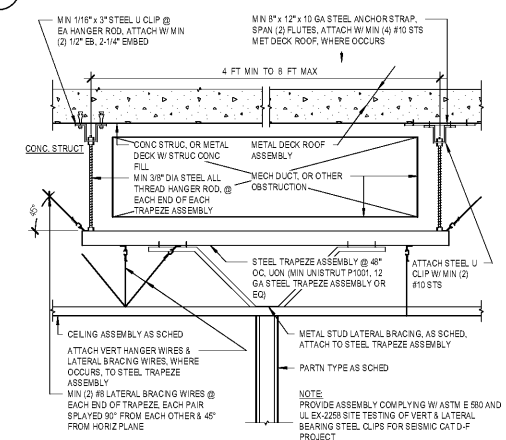
**4 ROLLER SHADE DETAIL @ CW**  
 1 1/2" = 1'-0"



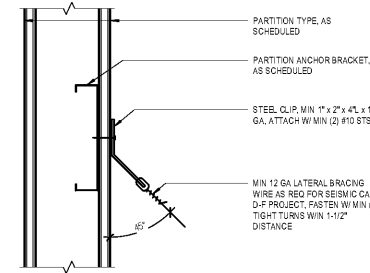
**3 ROLLER SHADE DETAIL @ BRICK**  
 1 1/2" = 1'-0"



**2 SOFFIT FRAMING LONGITUDINAL BRACE**  
 3/4" = 1'-0"

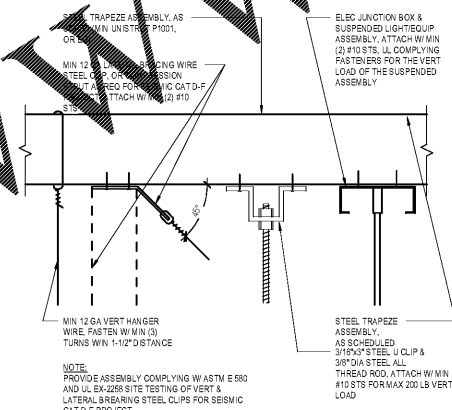


**1 TRAPEZE SUPPORT DETAIL**  
 1" = 1'-0"



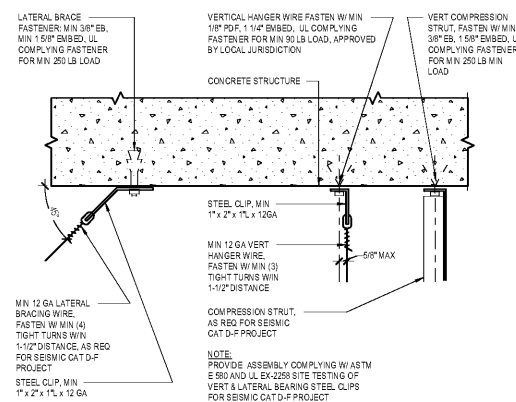
NOTE: PROVIDE ASSEMBLY COMPLYING W/ ASTM E 580 AND UL EX-2258 SITE TESTING OF VERT & LATERAL BEARING STEEL CLIPS FOR SEISMIC CAT-D-F PROJECT

**7 LATERAL BRACING WIRE ATTACHMENT**  
 3" = 1'-0"



NOTE: PROVIDE ASSEMBLY COMPLYING W/ ASTM E 580 AND UL EX-2258 SITE TESTING OF VERT & LATERAL BEARING STEEL CLIPS FOR SEISMIC CAT-D-F PROJECT

**6 TRAPEZE CONNECTIONS DETAIL**  
 3" = 1'-0"



**5 WIRE ATTACHMENT - CONC STRUCTURE**  
 3" = 1'-0"

Order Plans @ [WWW.LDILLINE.COM](http://WWW.LDILLINE.COM)