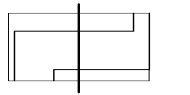




Key Plan



Professional Seal

**NOT FOR
 CONSTRUCTION**

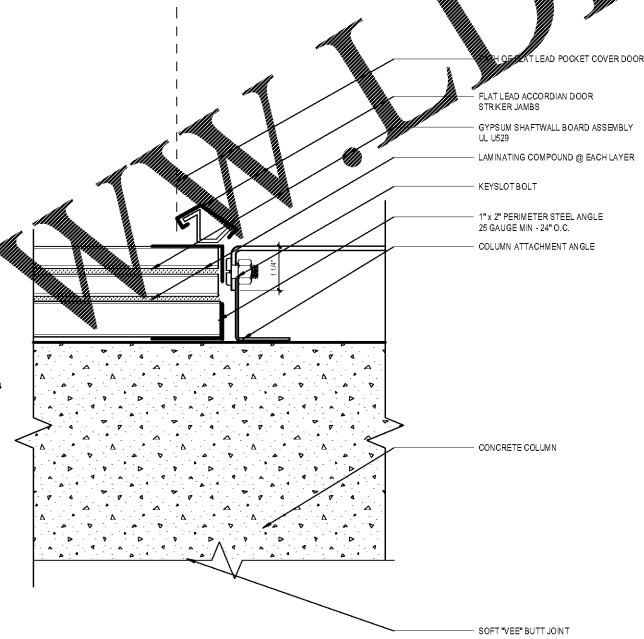
No.	Description	Date
1	ED - GMP	2019-07-03

Project No: 18.16013.00

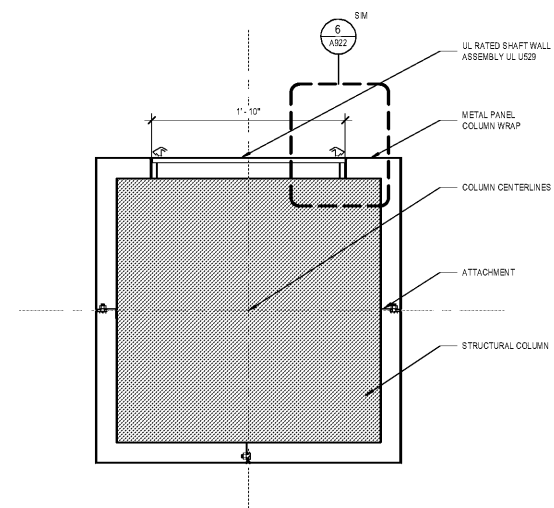
Sheet Title

INTERIOR DETAILS

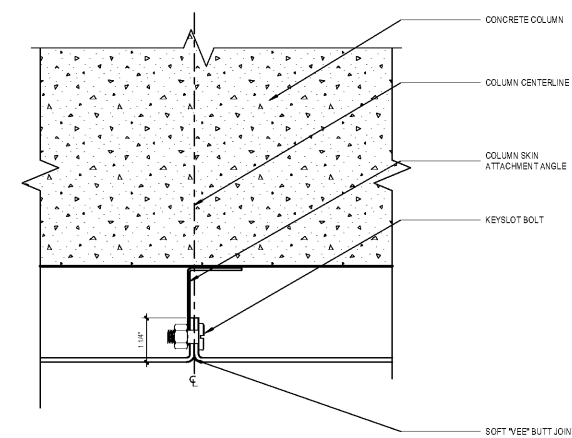
Order Plans @ WWW.LDILine.com



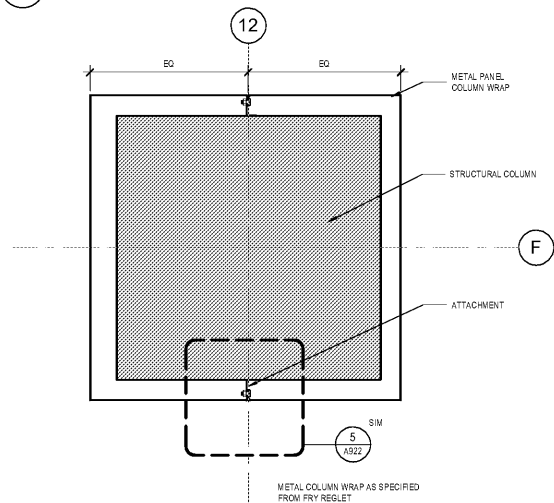
6 METAL PANEL COLUMN WRAP - SMOKE
 6" x 1'-0"



2 ENLARGED PLAN - COLUMN WRAP - SMOKE
 1 1/2" x 1'-0"



5 METAL PANEL COLUMN WRAP
 6" x 1'-0"



1 ENLARGED PLAN - COLUMN WRAP - TYP
 1 1/2" x 1'-0"