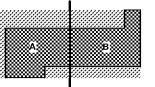




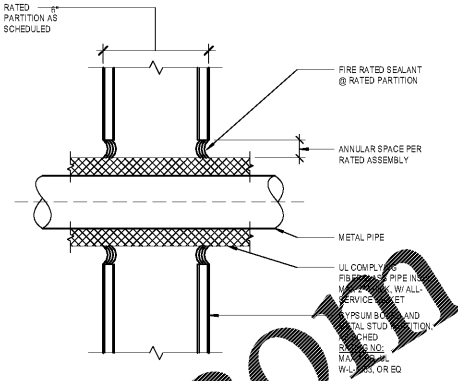
Key Plan



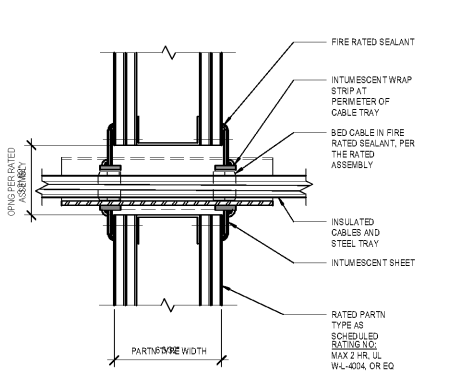
Professional Seal

**NOT FOR
CONSTRUCTION**

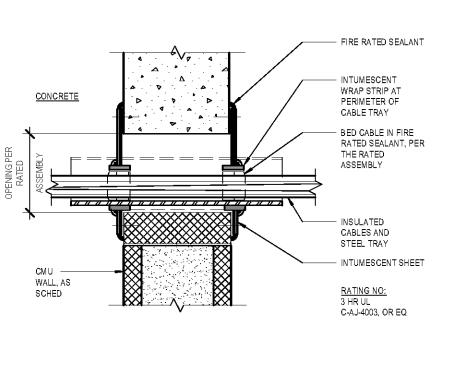
No.	Description	Date
1	ED - GMP	2019-07-03



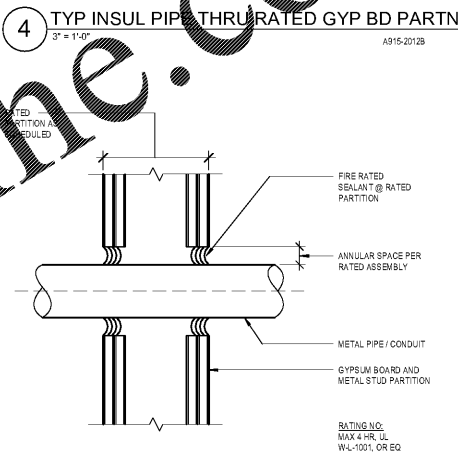
4 TYP INSUL PIPE THRU RATED GYP BD PARTN
3" x 1'-0" A915-2012B



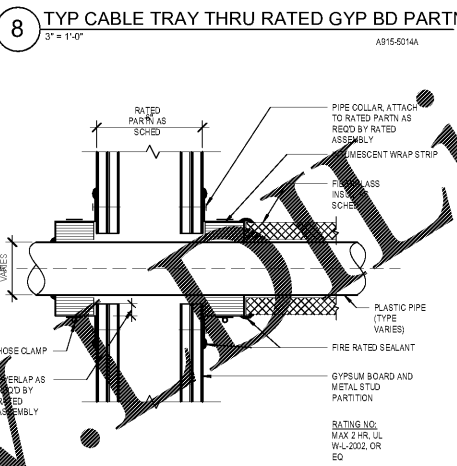
8 TYP CABLE TRAY THRU RATED GYP BD PARTN
3" x 1'-0" A915-5014A



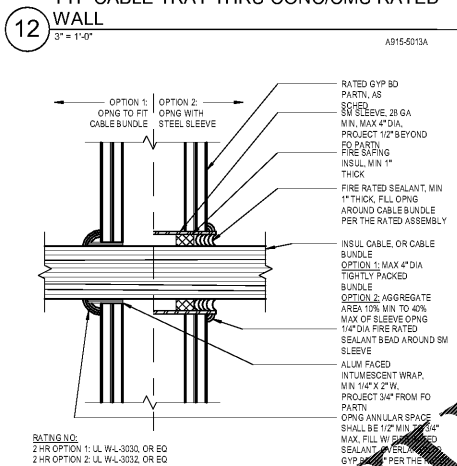
12 TYP CABLE TRAY THRU CONC/CMU RATED WALL
3" x 1'-0" A915-5015A



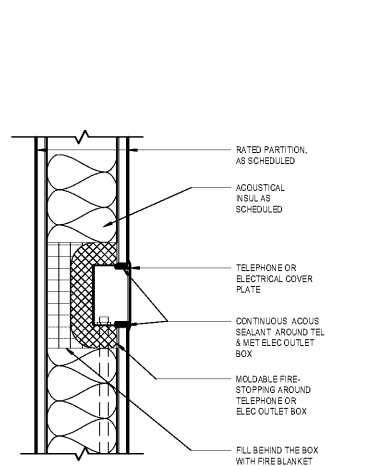
3 TYP PIPE/CONDUIT THRU RATED GYP BD PARTN
3" x 1'-0" A915-2012A



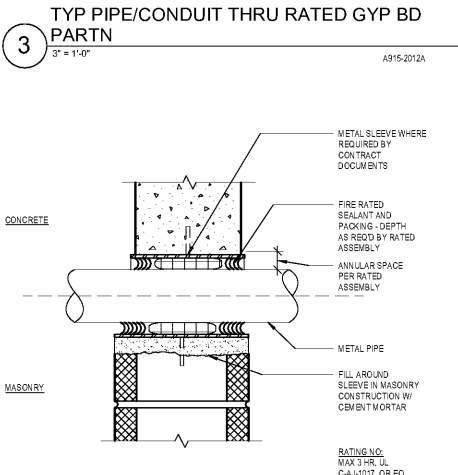
7 TYP PLASTIC PIPE THRU RATED GYP BD PARTN
3" x 1'-0" A915-2112A



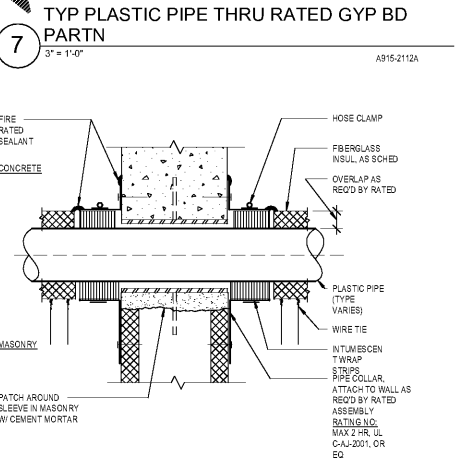
11 TYP CABLE BUNDLE THRU RATED GYP BD PARTN
3" x 1'-0" A915-5012A



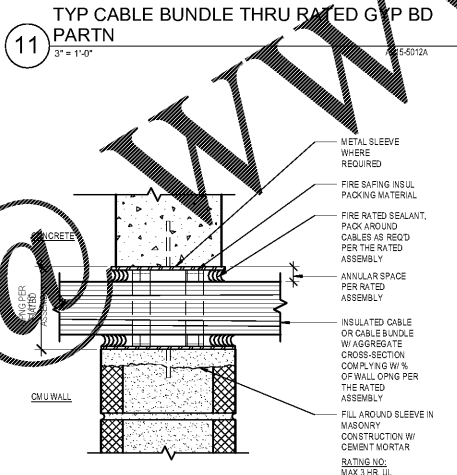
15 TYP 'J' BOX @ RATED GYP BD PARTN
3" x 1'-0" A915-4012B



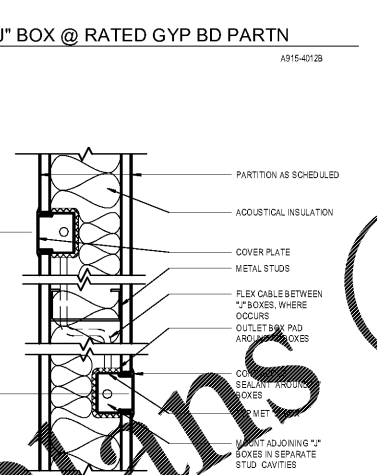
2 TYP PIPE/CONDUIT THRU CONC/CMU RATED WALL
3" x 1'-0" A915-2011A



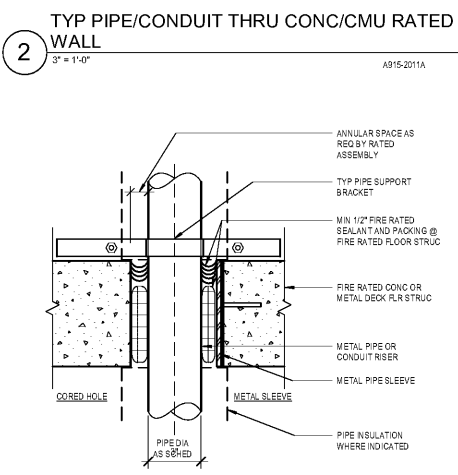
6 TYP PLASTIC PIPE THRU RATED CONC/CMU WALL
3" x 1'-0" A915-2111A



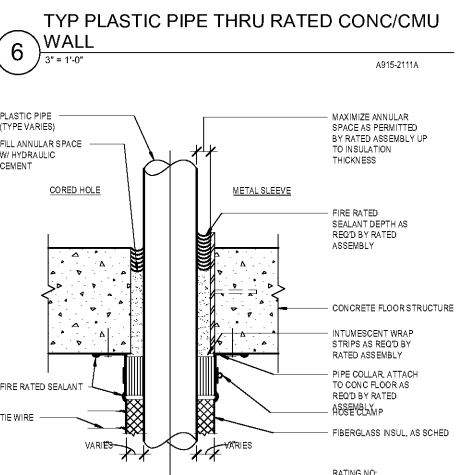
10 CABLE BUNDLE THRU CONC/CMU RATED PARTN
3" x 1'-0" A915-5011A



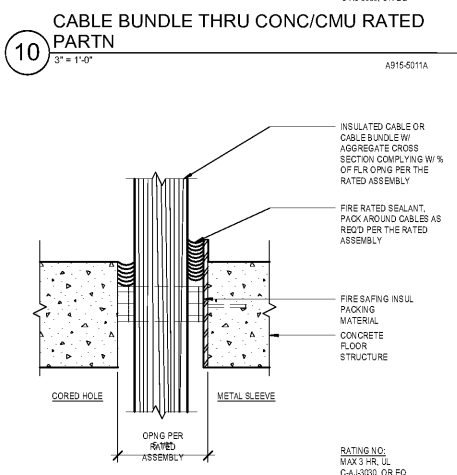
14 TYP 'J' BOX @ RATED GYP BD PARTN W/ ACOUS INS
3" x 1'-0" A915-4012A



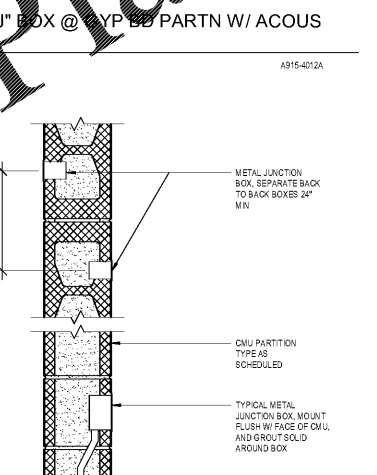
1 TYP PIPE/CONDUIT THRU RATED CONC FLOOR
3" x 1'-0" A915-2014A



5 TYP PLASTIC PIPE THRU RATED CONC FLOOR
3" x 1'-0" A915-2114A



9 TYP INSUL CABLE BUNDLE THRU RATED CONC FLOOR
3" x 1'-0" A915-5015A



13 TYP J BOX @ CMU PARTN
1 1/2" x 1'-0" A915-4011A

Order Plans