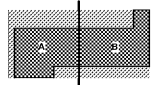




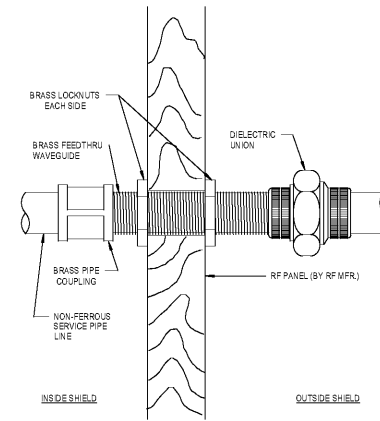
Key Plan



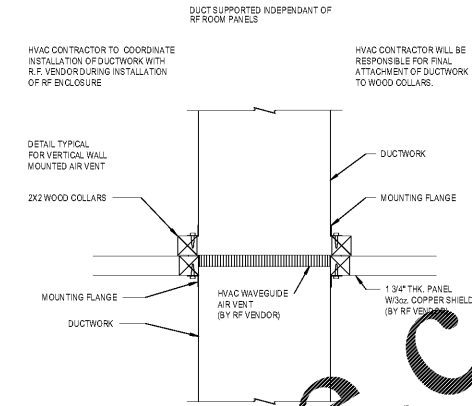
Professional Seal

**NOT FOR
 CONSTRUCTION**

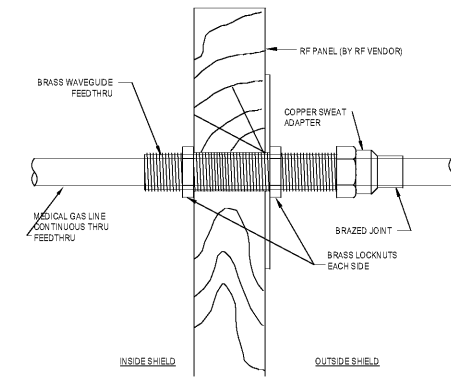
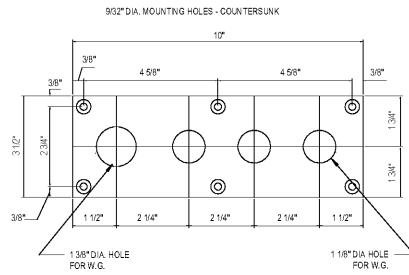
No.	Description	Date
1	ED: GMP	2019.07.03



6 DIELECTRIC WAVEGUIDE DETAIL
 3" = 1'-0"



3 WAVEGUIDE AIR VENT DETAIL
 3" = 1'-0"

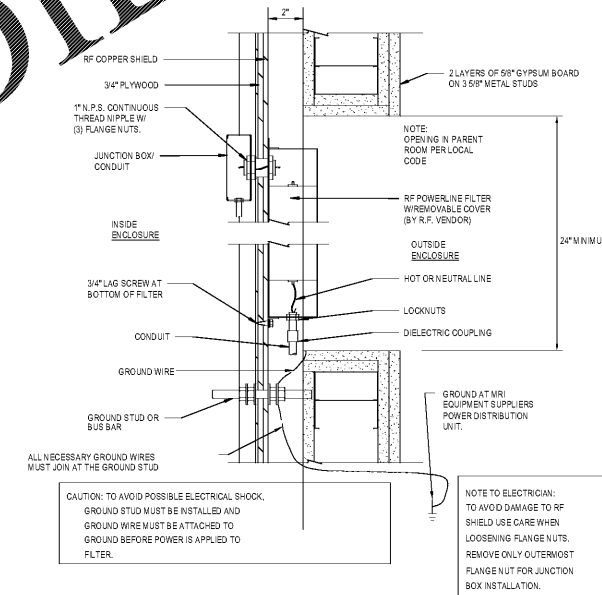


NOTE: FINAL MED GAS CONNECTION TO WAVEGUIDE CANNOT BE MADE UNTIL GROUND ISOLATION MONITORING IS COMPLETE

3/16" THK. BRASS PLATE FOR MED GAS CONNECTION

5 R/F POWERLINE FILTER SECTION
 3" = 1'-0"

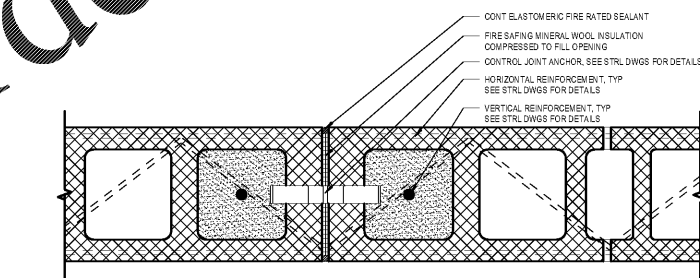
2 R/F POWERLINE FILTER SECTION
 3" = 1'-0"



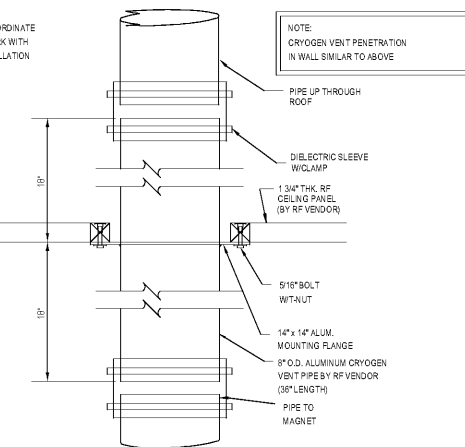
CAUTION: TO AVOID POSSIBLE ELECTRICAL SHOCK, GROUND STUD MUST BE INSTALLED AND GROUND WIRE MUST BE ATTACHED TO GROUND BEFORE POWER IS APPLIED TO FILTER

NOTE TO ELECTRICIAN: TO AVOID DAMAGE TO RF SHIELD USE CARE WHEN LOOSENING FLANGE NUTS. REMOVE ONLY OUTERMOST FLANGE NUT FOR JUNCTION BOX INSTALLATION.

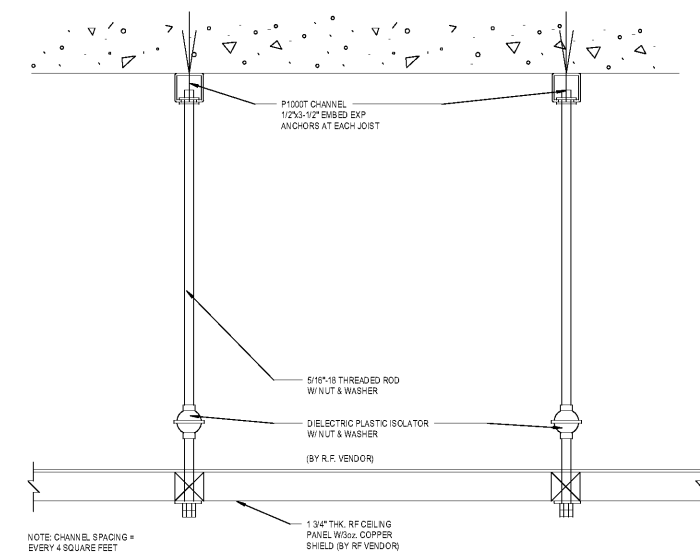
7 MED GAS PENETRATION DETAIL
 3" = 1'-0"



4 CRYOGEN VENT DETAIL
 3" = 1'-0"



1 RF SUSPENDED CEILING FRAMING SYSTEM
 3" = 1'-0"



A TYPICAL CMU CONTROL JOINTS
 3" = 1'-0"

Order Plans @

WWW.LDILine.com