



Project  
**THE CENTER FOR  
 ADVANCED SURGICAL  
 SERVICES (CASS)**  
 80 GILMER STREET SE  
 ATLANTA, GA 30303

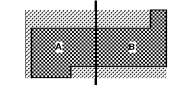
Prepared For  
**GRADY HEALTH SYSTEM**  
 80 JESSE HILL DR. SE  
 ATLANTA, GA 30303



Heldred, Oates & Kastbaum, Inc.  
 133 Peachtree Street, NE, Suite 4800  
 Atlanta, GA 30303 USA  
 1+1 404 439 9000 1+1 404 439 9001

All reproduction & intellectual property rights reserved © 2019  
 An Association with

Key Plan



Professional Seal

**NOT FOR  
 CONSTRUCTION**

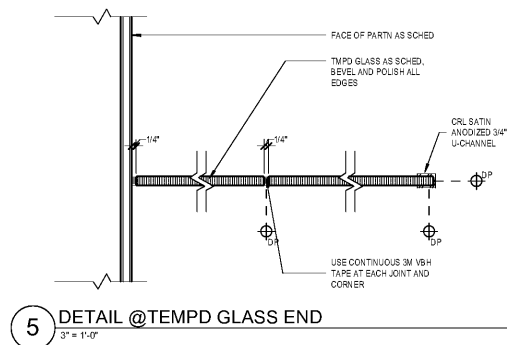
No.	Description	Date
1	ED - GMP	2019-07-03

Project No: 18.16013.00  
 Sheet Title

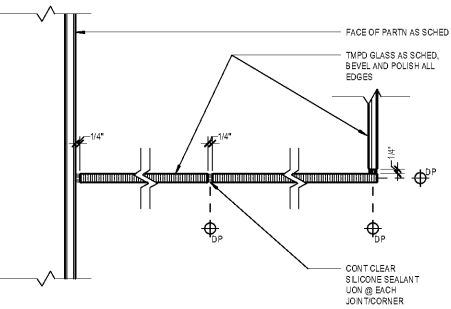
**INTERIOR PARTITIONS  
 - SCHEDULE**

Original is 20 x 42. Do not scale contents of this drawing  
 Sheet Number

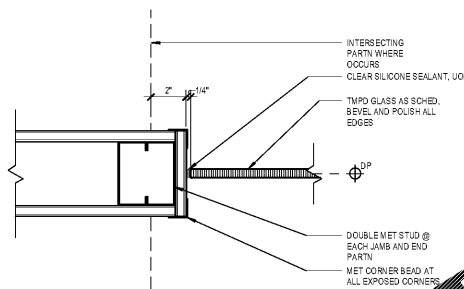
**A911**



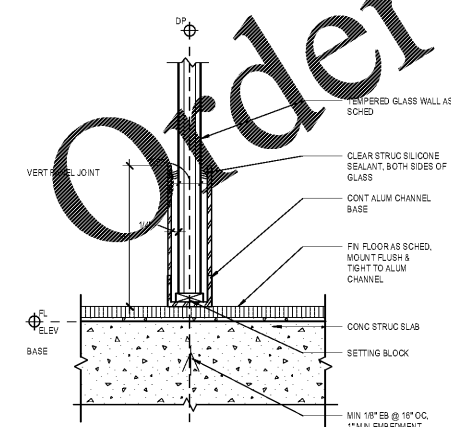
**5** DETAIL @TEMPD GLASS END  
 3\"/>



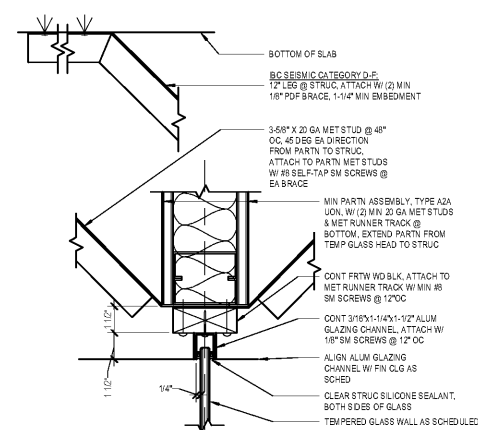
**4** JAMB & CORNER @ TEMPD GLASS WALL  
 3\"/>



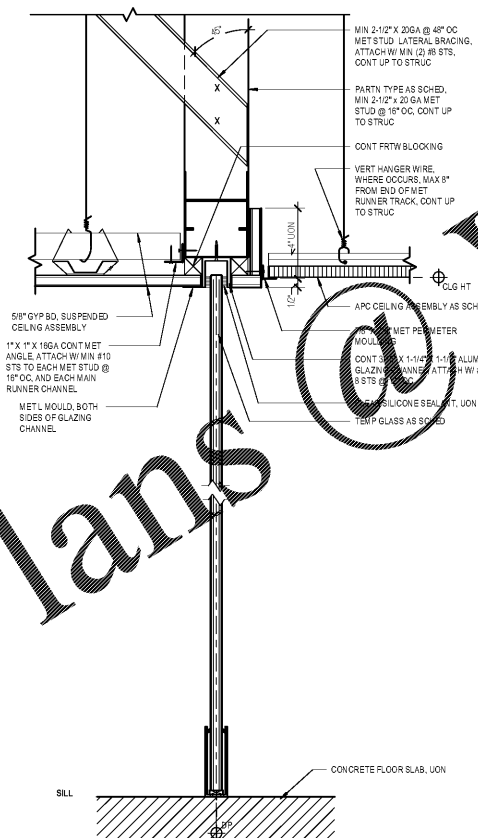
**3** JAMB @ TEMPD GLASS WALL  
 3\"/>



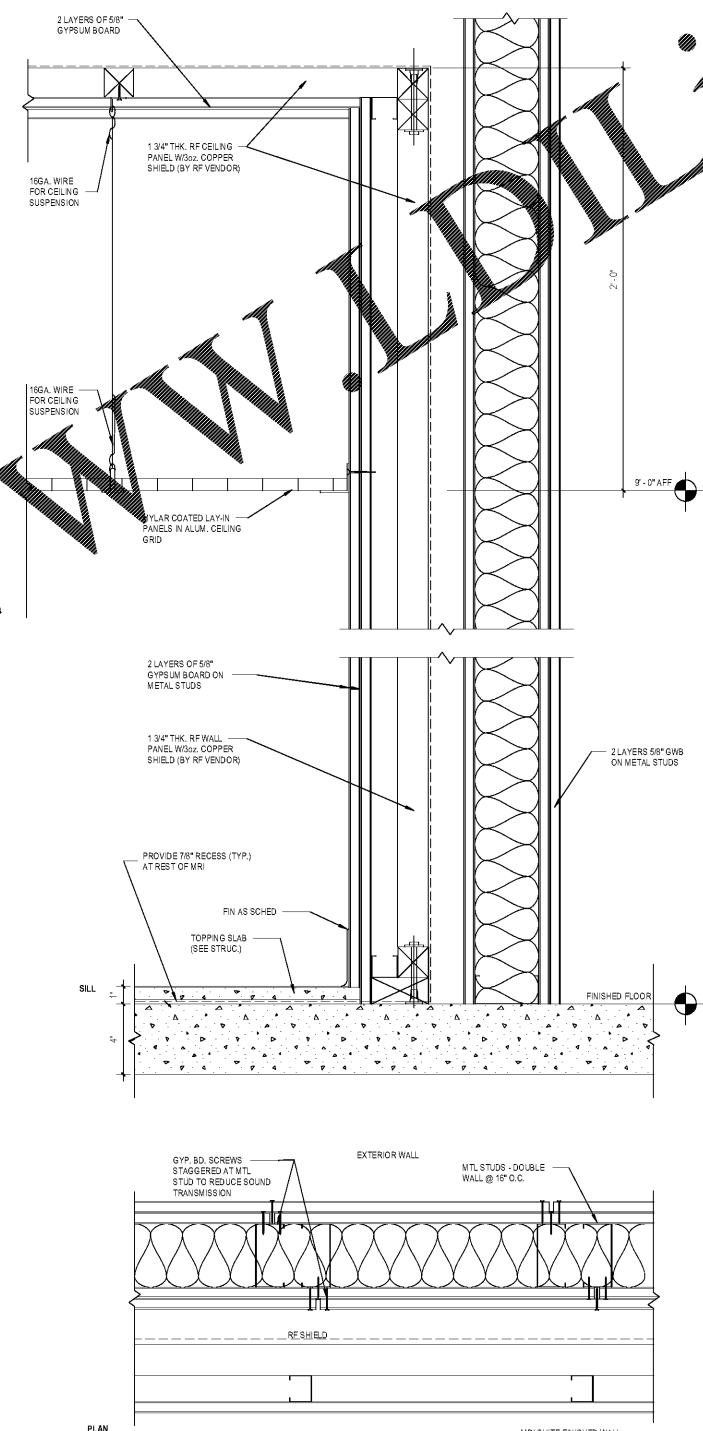
**2** SILL @ TEMPERED GLASS WALL  
 3\"/>



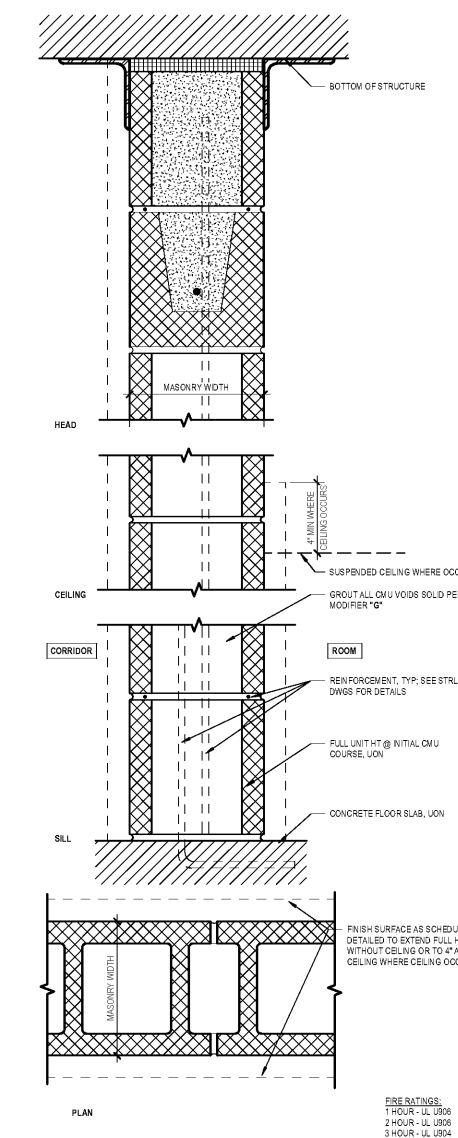
**1** HEAD @ TEMPERED GLASS  
 3\"/>



**T** TYPE T: TEMPERED ALL-GLASS PARTITION  
 3\"/>



**RF** TYPE RF: RF SHIELDED PARTITION  
 3\"/>



**M** TYPE M: CMU PARTITION  
 3\"/>

FIRE RATING:  
 1 HOUR - UL U908  
 2 HOUR - UL U908  
 3 HOUR - UL U904  
 4 HOUR - UL U901  
 STC-XX, NIC-XX

Order Plans @

WWW.LDLine.com