

GENERAL NOTES FOR INTERIOR PARTITIONS

- REFER TO INDICATED DRAWINGS FOR HEAD DETAILS. HEAD CONDITION AS APPLICABLE TO SUPPORT CONDITION.
- PROVIDE TYPE 'X' GWB AT ALL SMOKE PARTITIONS.
- SMOKE BARRIERS SHALL RESIST THE PASSAGE OF AIR AT THE RATE OF NOT MORE THAN 8.5 CFM/SF AT BOTH AMBIENT TEMPERATURES & 40 DEG F AT A PRESSURE DIFFERENTIAL OF 5.0" WATER.
- MOISTURE RESISTANT, PAPERLESS, COATED FIBERGLASS MAT WATER RESISTANT GYPSUM WALL BOARD TO BE UTILIZED ON THE OUTER LAYER OF ALL PARTITIONS THAT ARE SCHEDULED TO RECEIVE CERAMIC TILE, PORCELAIN TILE, STONE TILE OR ANY MATERIAL THAT IS SECURE WITH ADHESIVE OR THIN-BED MORTARS.
- PROVIDE 1/2" CEMENT BOARD AT ALL SHOWER AND TUB LOCATIONS. EXTEND A MINIMUM OF 12 INCHES BEYOND WET AREAS AS DEFINED BY SHOWER GLASS, CURTAIN, OR TUB EDGE.
- AT LARGE FORMAT TILE WITH AN EDGE GREATER THAN 1/2" PROVIDE 1/2" CEMENT BACKER BOARD WITH METAL STUDS 33 WIL (20 GA STRUCTURAL) MIN BRACED AT 48" OC VERTICALLY AND A MAX DEFLECTION OF L/240 OR 1/2" MAX, WHICHEVER IS LESS.
- MOISTURE RESISTANT GWB TO BE USED ON ALL STAIR SHAFTS, ELEVATOR SHAFTS, PLUMBING CHASE, EXTERIOR JANITORIES, CLOSETS, MECHANICAL ROOMS, BULKHEADS, AND OTHER AREAS WHERE MOISTURE COULD OCCUR. REFER TO SPECIFICATIONS AND/OR NOTES FOR DETAILS.
- THE THICKNESS OF THE GWB SHALL BE AS NOTED. ALL CONDITIONS OF INSTALLATION DO NOT EXCEED THE MANUFACTURER'S RECOMMENDATIONS. PROVIDE EQUIVALENT UNLESS OTHERWISE NOTED. PROVIDE EQUIVALENT UNLESS OTHERWISE NOTED. PROVIDE EQUIVALENT UNLESS OTHERWISE NOTED.
- ALL BRACING AND UNBRACED LENGTHS TO BE DESIGNED AND BASED ON SPSMA (STEEL STUD MANUFACTURERS ASSOCIATION) PRODUCT TECHNICAL GUIDE (www.spsma.com).
- PROVIDE THE APPROPRIATE HEAD CONNECTION DETAIL BASED ON FIRE RATING AND ON CONNECTION CONDITION AT DECK OR BEAM.



Project
**THE CENTER FOR
ADVANCED SURGICAL
SERVICES (CASS)**
80 GILMER STREET SE
ATLANTA, GA 30303

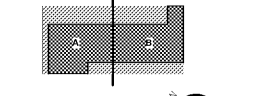
Prepared For
GRADY HEALTH SYSTEM
80 JESSE HILL DR. SE
ATLANTA, GA 30303



Hickmott, Oates & Kastbaum, Inc.
133 Peachtree Street, NE, Suite 4800
Atlanta, GA 30303 USA
+1 404 439 9300 +1 404 439 9001

All reproduction & intellectual property rights reserved © 2019.
An Association with

Key Plan



Professional Seals

**NOT FOR
CONSTRUCTION**

No.	Description	Date
1	DC - GWP	2019.07.03

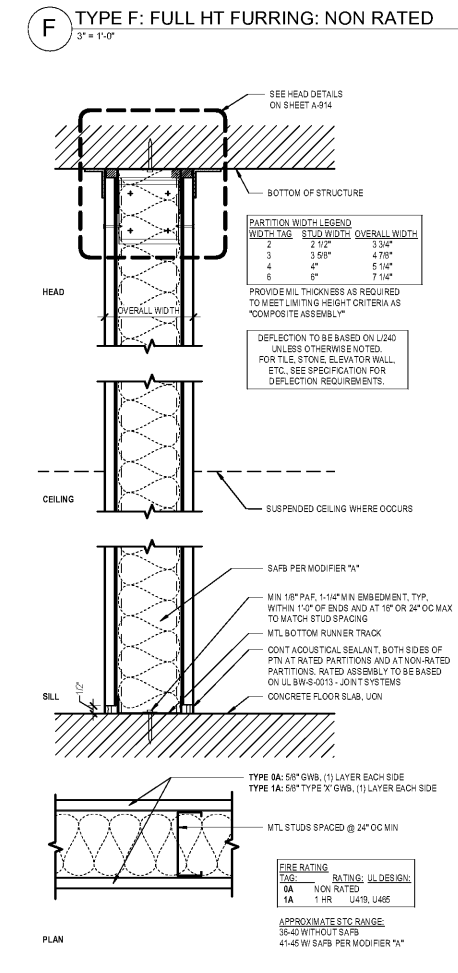
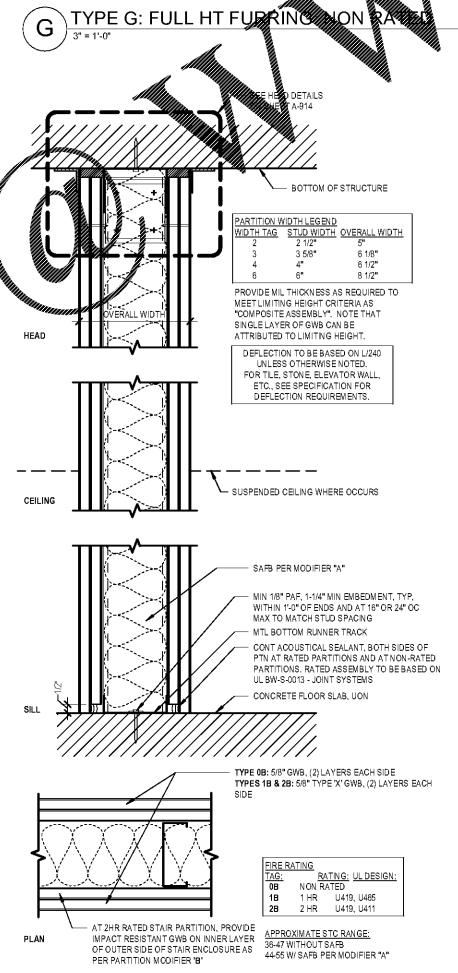
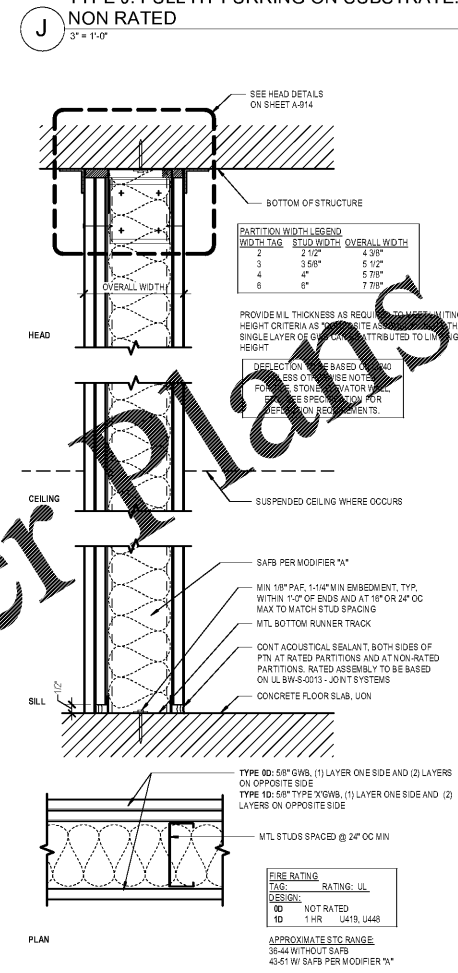
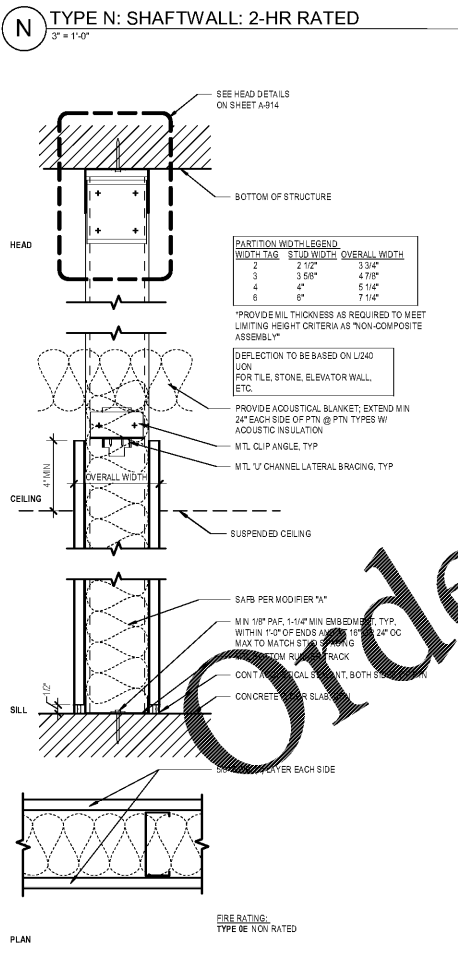
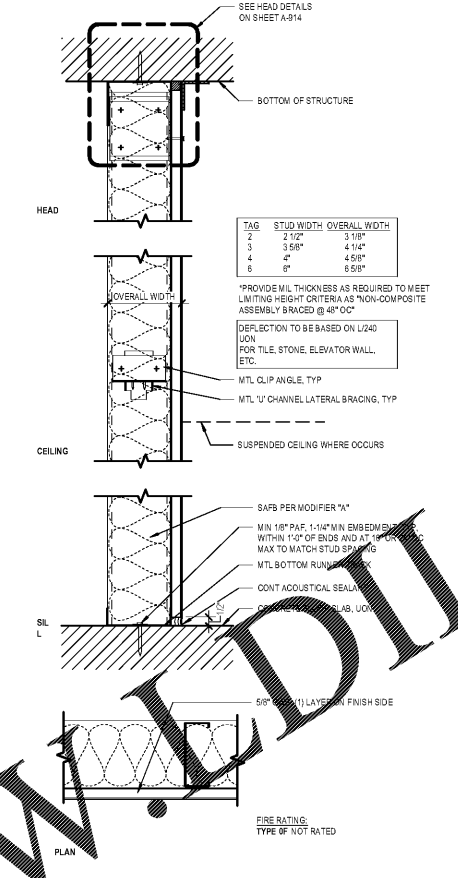
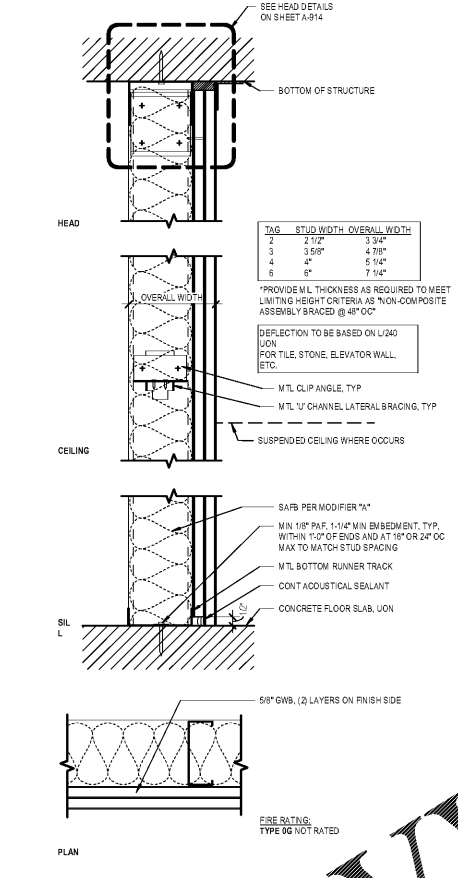
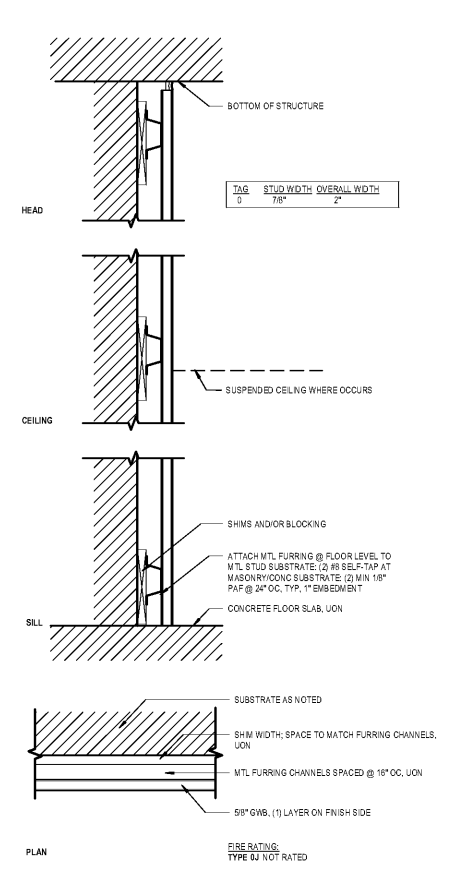
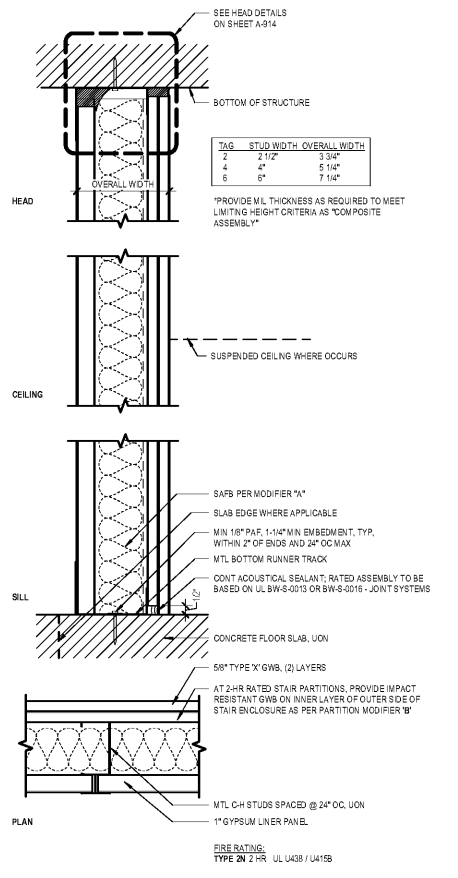
FIRE RATING CLASSIFICATION			FIRE/SMOKE RATING CLASSIFICATION			TAG BUILDING CODE CATEGORY		
0	NON-RATED	05	NON-RATED SMOKE PARTITION	W	WALL			
1	1 HOUR FIRE RESISTANCE	15	1 HOUR FIRE-RESISTANT SMOKE BARRIER	B	BARRIER			
2	2 HOUR FIRE RESISTANCE	25	2 HOUR FIRE-RESISTANT SMOKE BARRIER	B	BARRIER			
3	3 HOUR FIRE RESISTANCE	35	3 HOUR FIRE-RESISTANT SMOKE BARRIER	P	PARTITION			
4	4 HOUR FIRE RESISTANCE	45	4 HOUR FIRE-RESISTANT SMOKE BARRIER					

Project No: 18.16013.00
Sheet Title

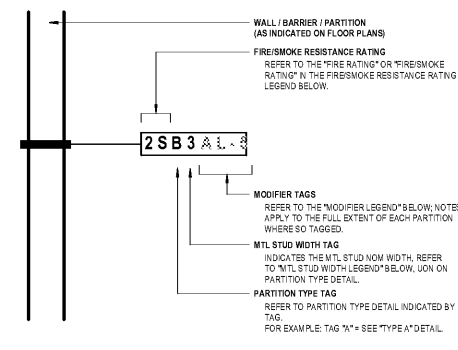
**INTERIOR PARTITIONS
- SCHEDULE**

Original is 20 x 42. Do not scale contents of this drawing.
Sheet Number

A910



LEGEND FOR INTERIOR GWB & CMU PARTITIONS



FIRE/SMOKE RESISTANCE RATING LEGEND

THE COMPLETE ASSEMBLY OF EACH PARTITION WITH A FIRE/SMOKE RATING TAG SHALL COMPLY WITH ALL REQUIREMENTS OF THE FIRE-RESISTANT SMOKE BARRIER RATING CLASSIFICATION:

TAG	FIRE RATING CLASSIFICATION	TAG	FIRE/SMOKE RATING CLASSIFICATION	TAG	BUILDING CODE CATEGORY
0	NON-RATED	05	NON-RATED SMOKE PARTITION	W	WALL
1	1 HOUR FIRE RESISTANCE	15	1 HOUR FIRE-RESISTANT SMOKE BARRIER	B	BARRIER
2	2 HOUR FIRE RESISTANCE	25	2 HOUR FIRE-RESISTANT SMOKE BARRIER	B	BARRIER
3	3 HOUR FIRE RESISTANCE	35	3 HOUR FIRE-RESISTANT SMOKE BARRIER	P	PARTITION
4	4 HOUR FIRE RESISTANCE	45	4 HOUR FIRE-RESISTANT SMOKE BARRIER		

MTL STUD WIDTH LEGEND

TAG	MTL STUD WIDTH	TAG	MASONRY WIDTH
0	78" FURRING CHANNEL	4	4"
1	1-58"	5	5"
2	2-12"	6	6"
3	3-58"	10	9-8"
		12	11-58"

MODIFIER LEGEND

THE FOLLOWING NOTES APPLY TO THE FULL EXTENT OF EACH PTN, WHERE "MODIFIER" CHARACTER(S) ARE SHOWN ON THE TAG:

- A PROVIDE SAFB: 2" THK AT 2-1/2" STUD, 3-1/2" THK AT 3-5/8", 4" 5" AND 6" STUDS, UON.
- B PROVIDE IMPACT/ABUSE RESISTANT GWB COMPLYING WITH HARD BODY IMPACT CLASSIFICATION LEVEL 3. 3 LAYERS OF INNER LAYER OF GWB ON OUTER SIDE OF STAIR OR ELEVATOR ENCLOSURE OR 2 LAYERS OF IMPACT RESISTANT BOARD, EACH OF WHICH COMPLIES WITH HARD BODY IMPACT CLASSIFICATION LEVEL 2.
- C GROUT ALL CMU JOISTS BOLD.
- L LEAD LINED GYPSUM WALL BOARD.
- 5 PROVIDE LEVEL 5 WALL FINISH.

2019-07-03 4:55:36 PM