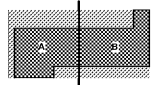




Key Plan



Professional Seal

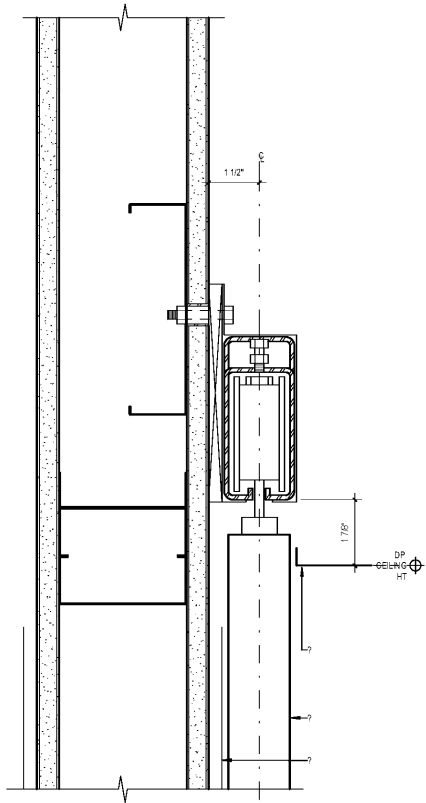
**NOT FOR
 CONSTRUCTION**

No.	Description	Date
1	ED - GMP	2019.07.03

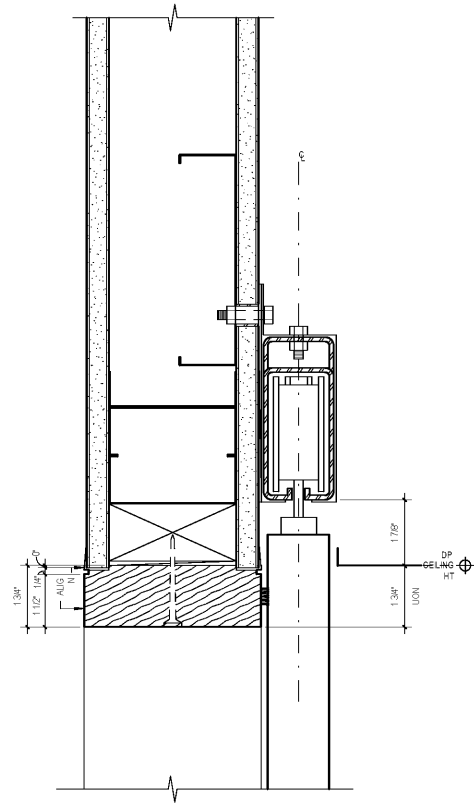
Project No: 18.16013.00
 Sheet Title

**INTERIOR DETAILS -
 DOORS & FRAMES**

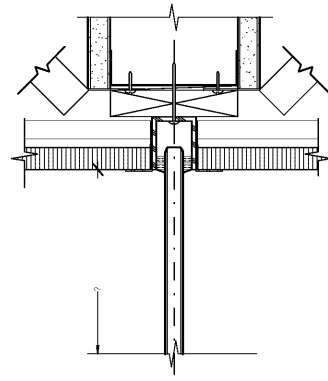
Original is 30 x 42. Do not scale contents of this drawing
 Sheet Number



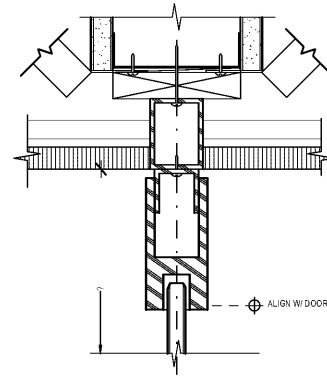
17 HEAD DETAIL
 6" x 1'-0"



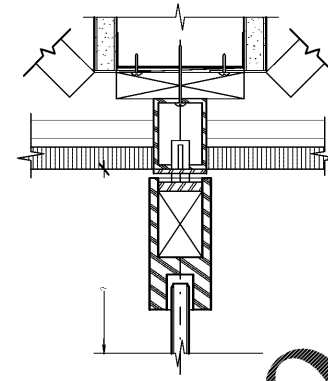
15 HEAD DETAIL
 6" x 1'-0"



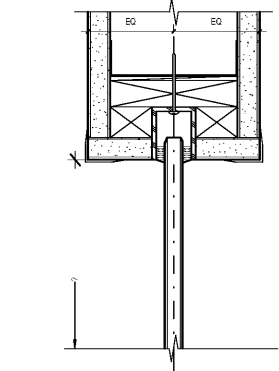
12 HEAD DETAIL
 6" x 1'-0"



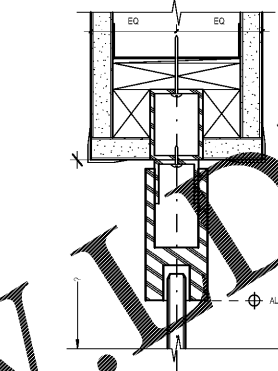
8 HEAD DETAIL
 6" x 1'-0"



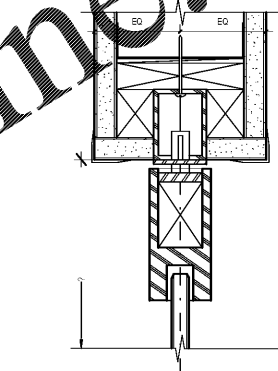
4 HEAD DETAIL - DOOR
 6" x 1'-0"



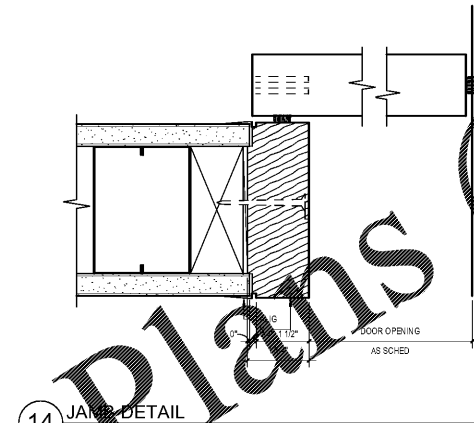
11 HEAD DETAIL
 6" x 1'-0"



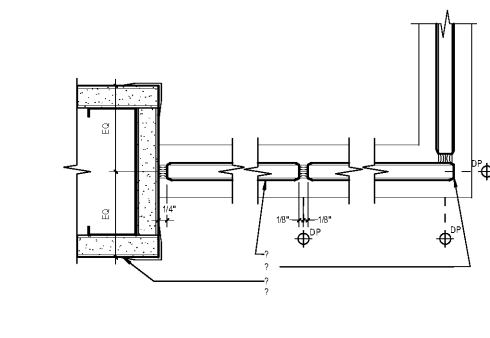
7 HEAD DETAIL
 6" x 1'-0"



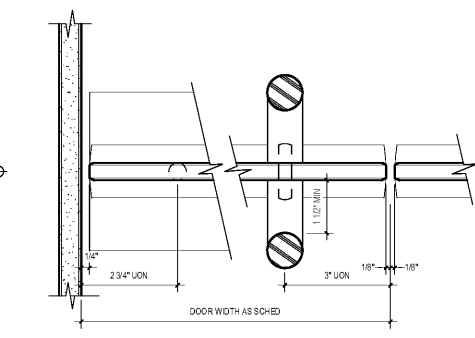
3 HEAD DETAIL - DOOR
 6" x 1'-0"



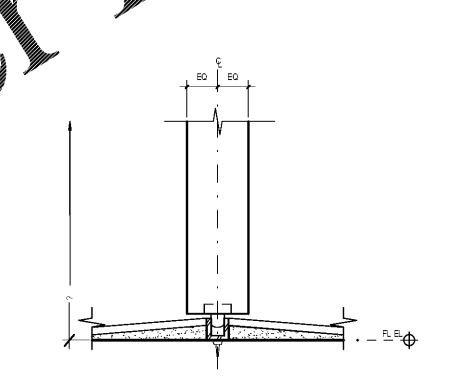
14 JAMB DETAIL
 6" x 1'-0"



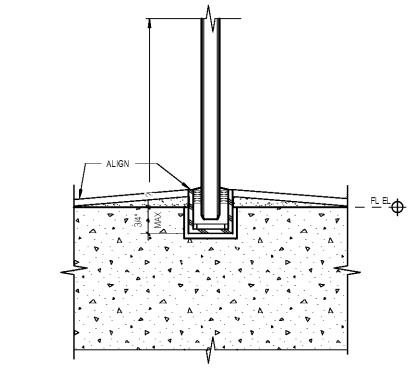
6 JAMB DETAIL
 6" x 1'-0"



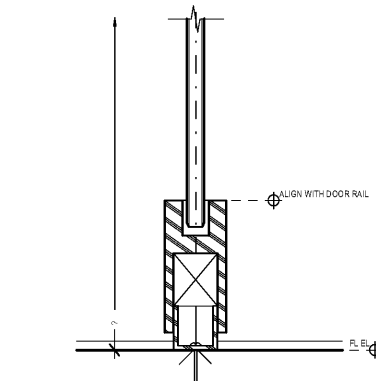
2 JAMB DETAIL
 6" x 1'-0"



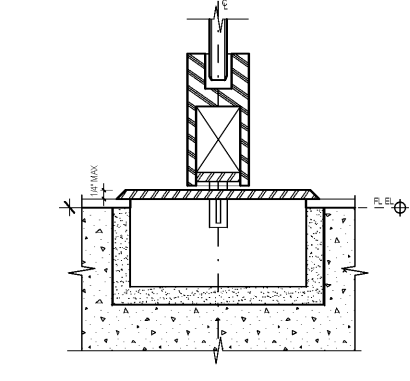
13 SILL DETAIL
 6" x 1'-0"



9 SILL DETAIL
 6" x 1'-0"



5 SILL DETAIL
 6" x 1'-0"



1 SILL DETAIL - DOOR
 6" x 1'-0"

Order Plans @ WWW.WDILine.com