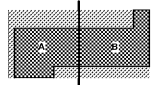




Key Plan



Professional Seal

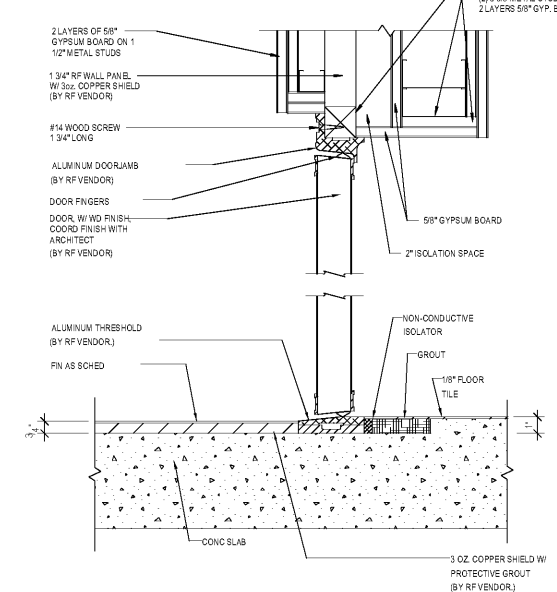
**NOT FOR
 CONSTRUCTION**

No.	Description	Date
1	ED - GMP	2019.07.03

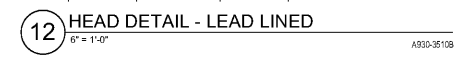
Project No: 18.16013.00
 Sheet Title

**INTERIOR DETAILS -
 DOORS & FRAMES**

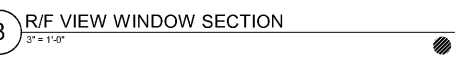
Original is 20 x 43. Do not scale contents of this drawing
 Sheet Number



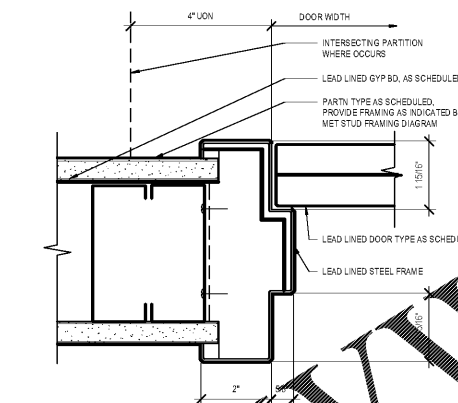
15 R/F DOOR SECTION
 3" = 1'-0"



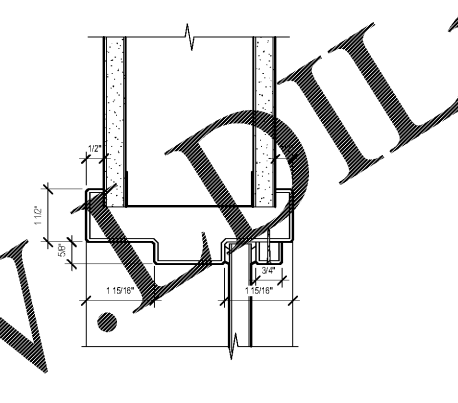
12 HEAD DETAIL - LEAD LINED
 6" = 1'-0"



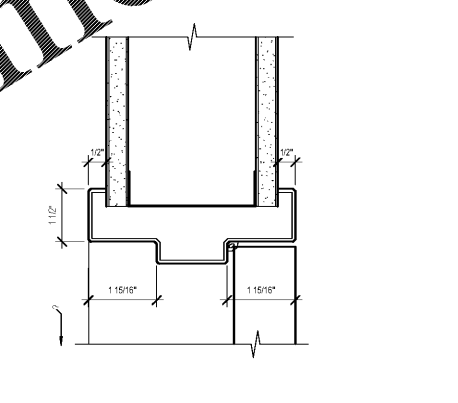
8 R/F VIEW WINDOW SECTION
 3" = 1'-0"



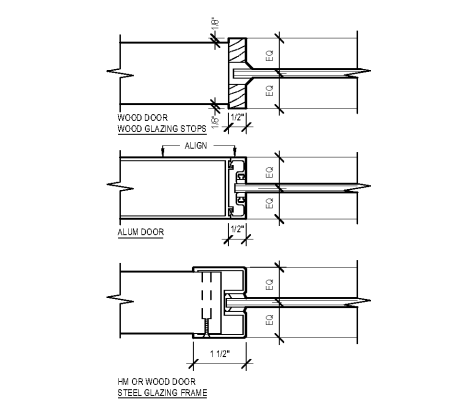
11 JAMB DETAIL - LEAD LINED
 6" = 1'-0"



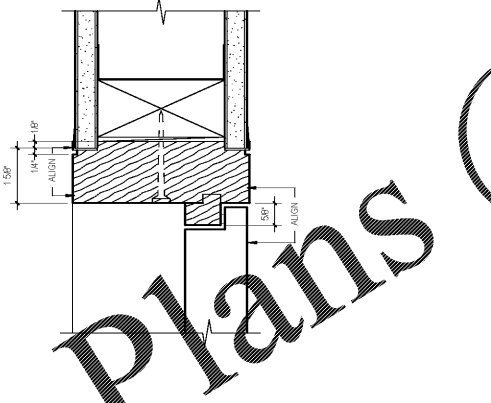
7 HEAD DETAIL
 6" = 1'-0"



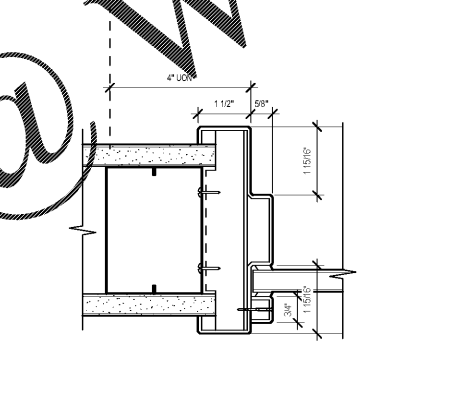
3 HEAD DETAIL
 6" = 1'-0"



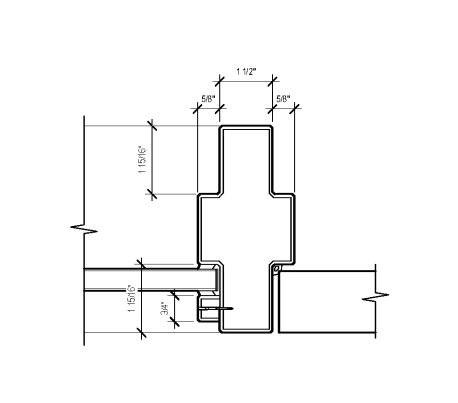
18 DOOR GLAZED OPENING DETAIL
 6" = 1'-0"



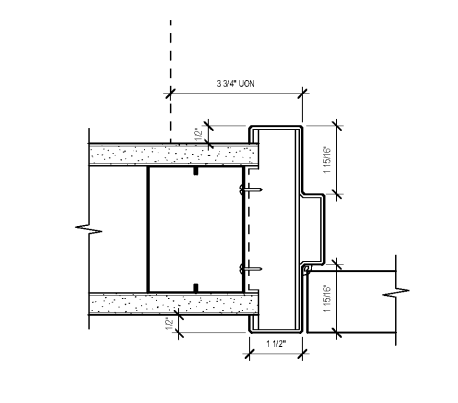
14 HEAD DETAIL - CONCEALED
 6" = 1'-0"



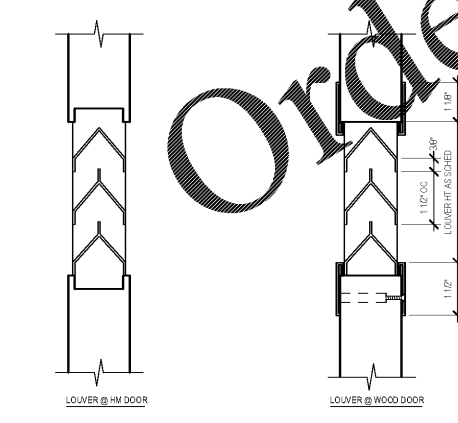
10 JAMB DETAIL
 6" = 1'-0"



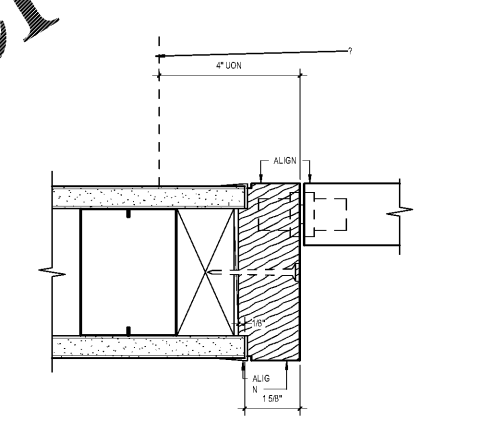
6 JAMB DETAIL
 6" = 1'-0"



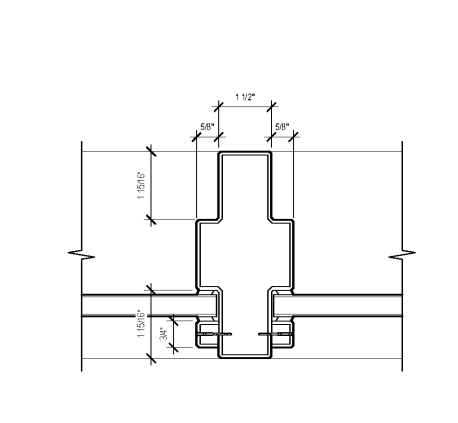
2 JAMB DETAIL
 6" = 1'-0"



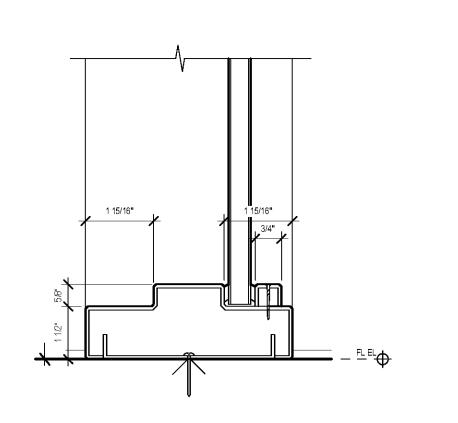
17 DOOR LOUVER DETAIL
 6" = 1'-0"



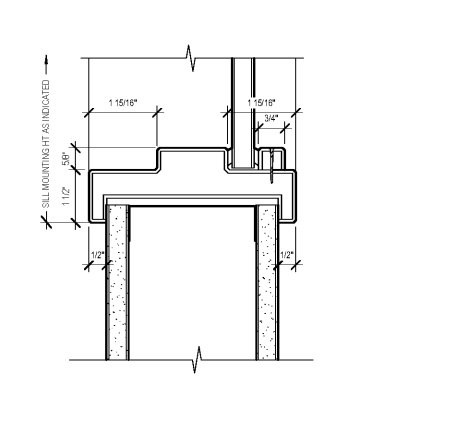
13 JAMB DETAIL - CONCEALED
 6" = 1'-0"



9 MULLION DETAIL
 6" = 1'-0"



5 SILL DETAIL
 6" = 1'-0"



1 SILL DETAIL
 6" = 1'-0"

Order Plans @ WWW.A906DILine.com