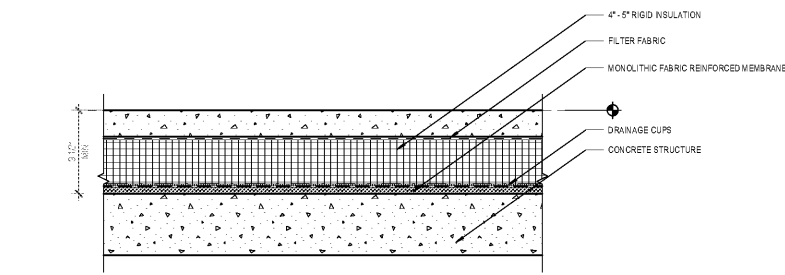
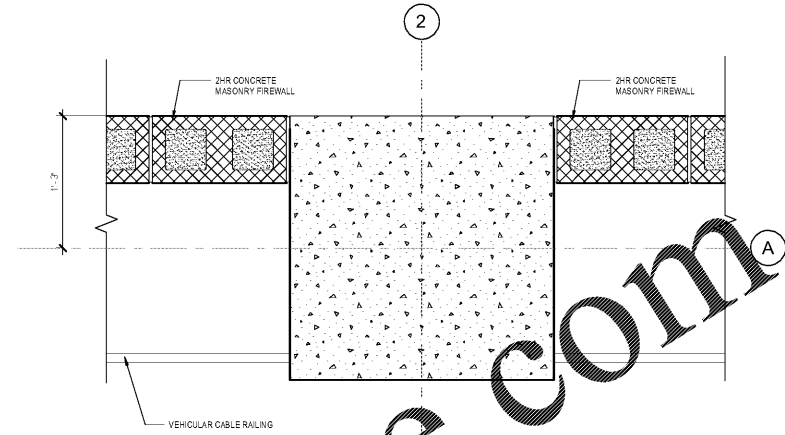


**NOT FOR
 CONSTRUCTION**

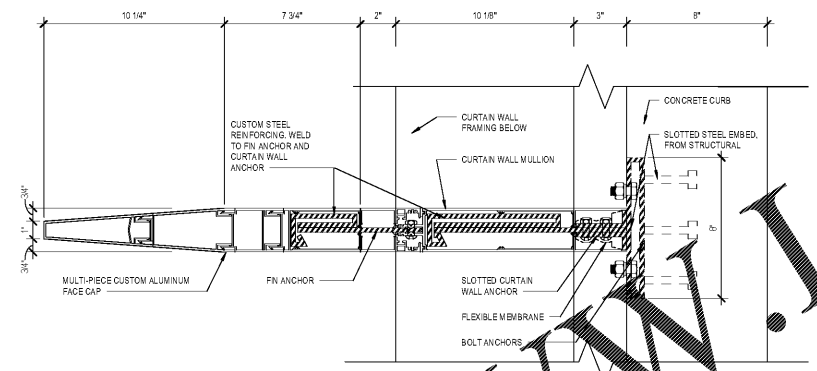
No.	Description	Date
1	ED - GMP	2019-07-03



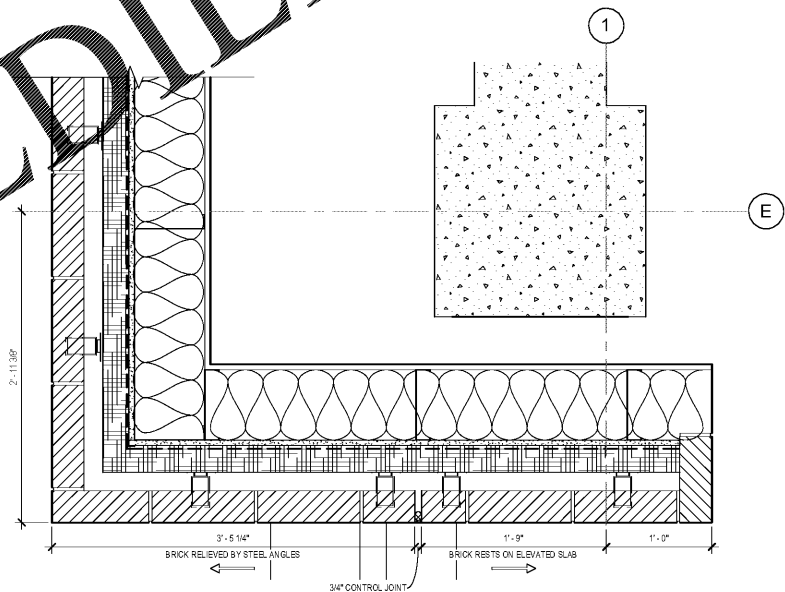
6 SECTION DETAIL - SPLIT SLAB SYSTEM
 1 1/2" = 1'-0"



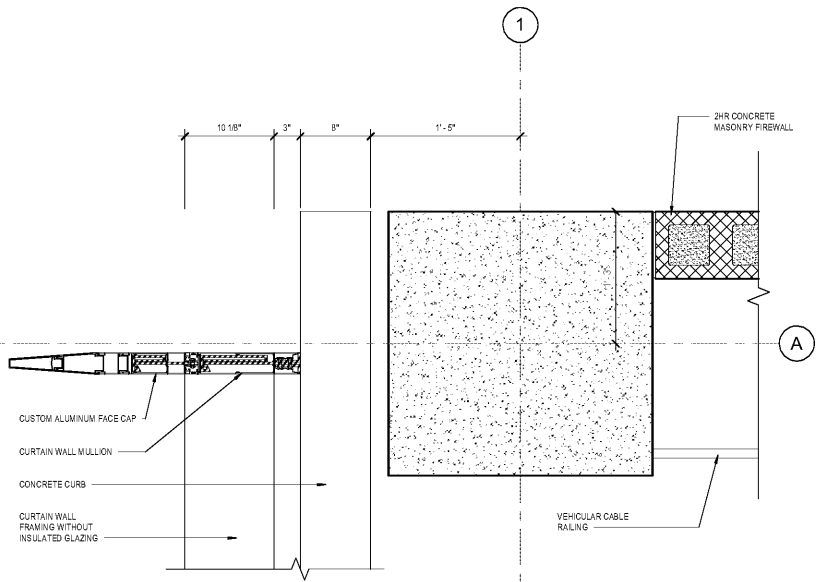
3 EXTERIOR DETAIL PLAN
 1/2" = 1'-0"



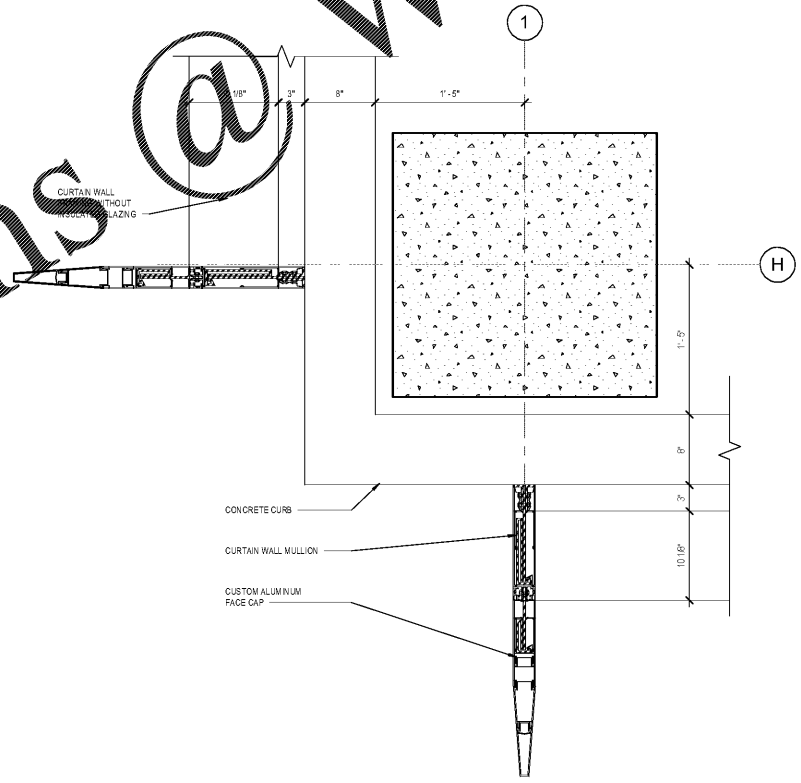
5 EXTERIOR DETAIL - PLAN
 3" = 1'-0"



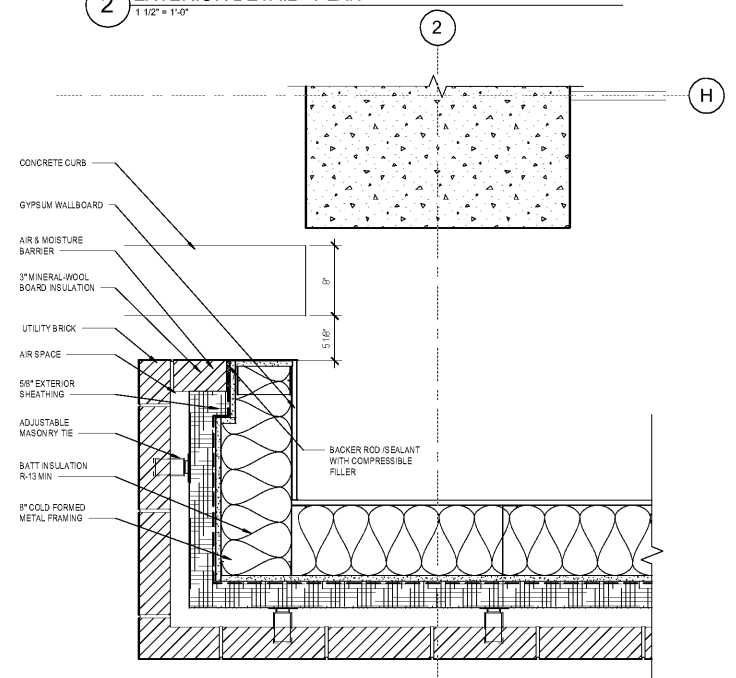
2 EXTERIOR DETAIL - PLAN
 1 1/2" = 1'-0"



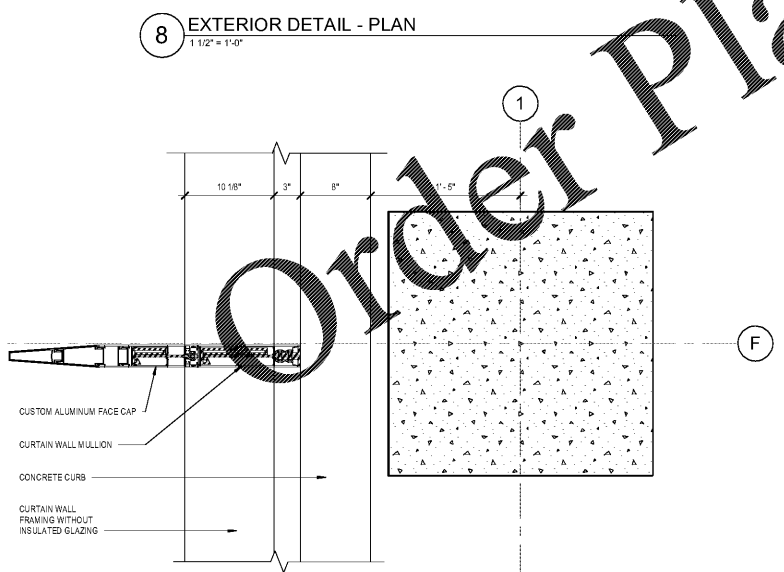
8 EXTERIOR DETAIL - PLAN
 1 1/2" = 1'-0"



4 EXTERIOR DETAIL - PLAN
 1 1/2" = 1'-0"



1 EXTERIOR DETAIL - PLAN
 1 1/2" = 1'-0"



7 EXTERIOR DETAIL - PLAN
 1 1/2" = 1'-0"