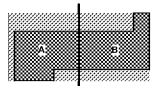




Key Plan



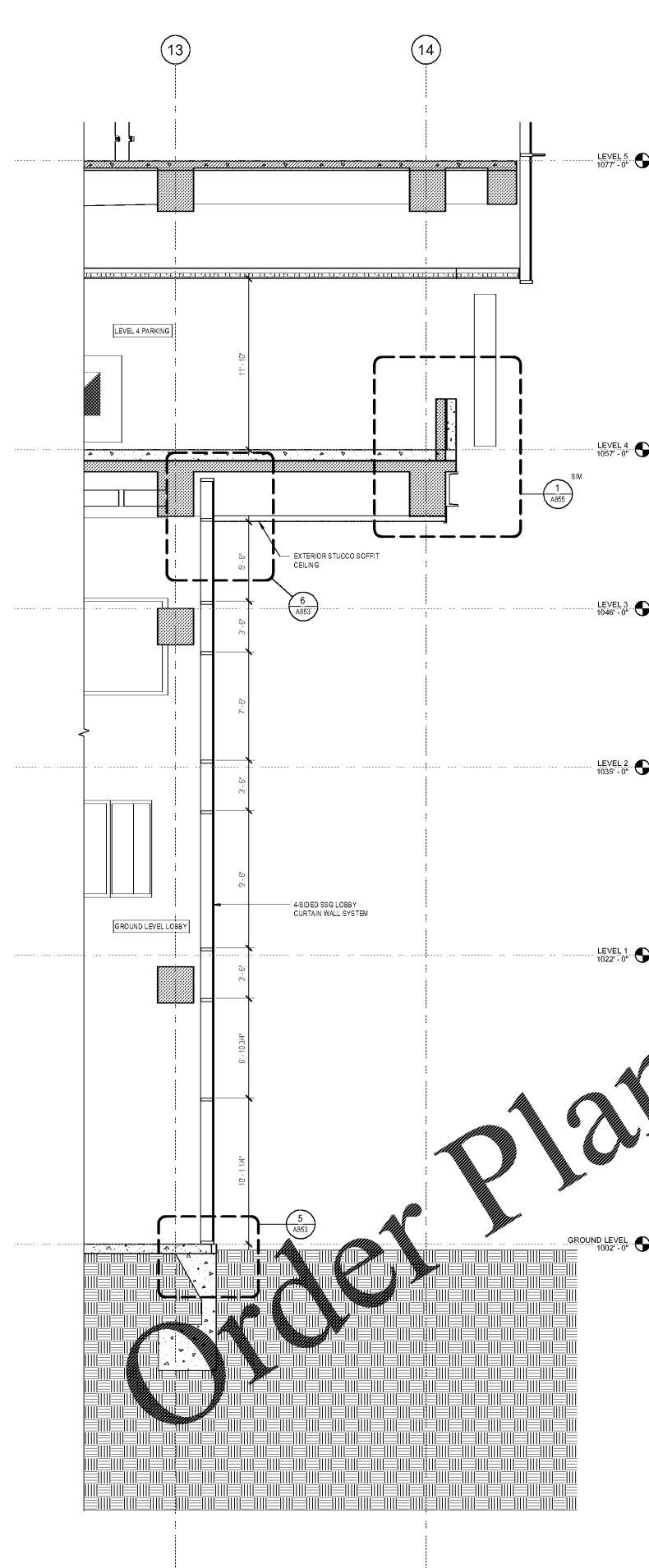
Professional Seal

**NOT FOR
 CONSTRUCTION**

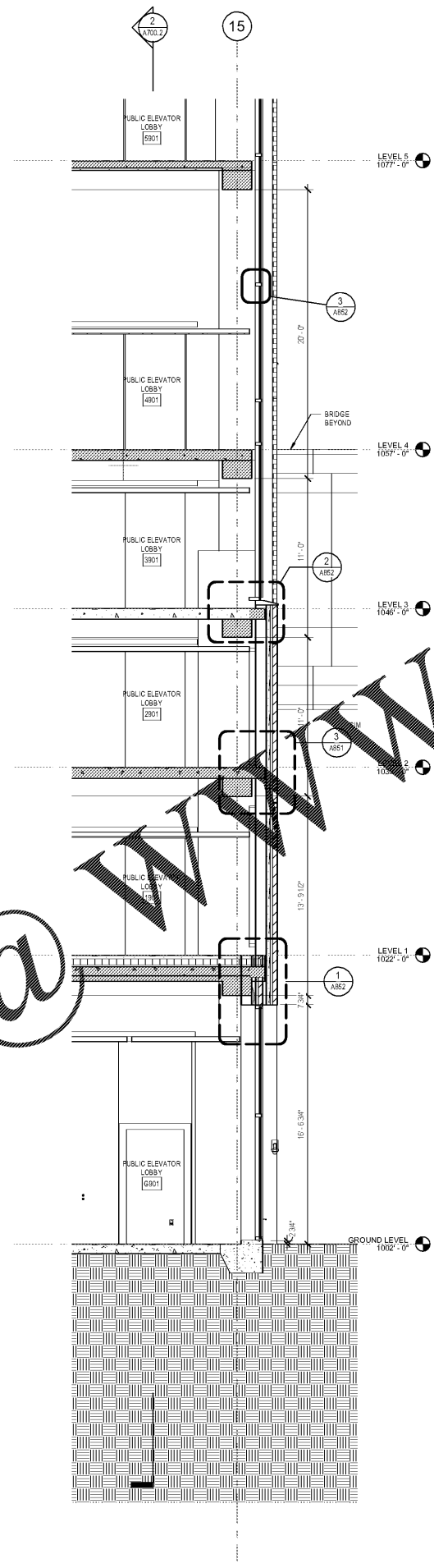
No.	Description	Date
1	DC - GMP	2019-07-03

Project No: 18.16013.00
 Sheet Title

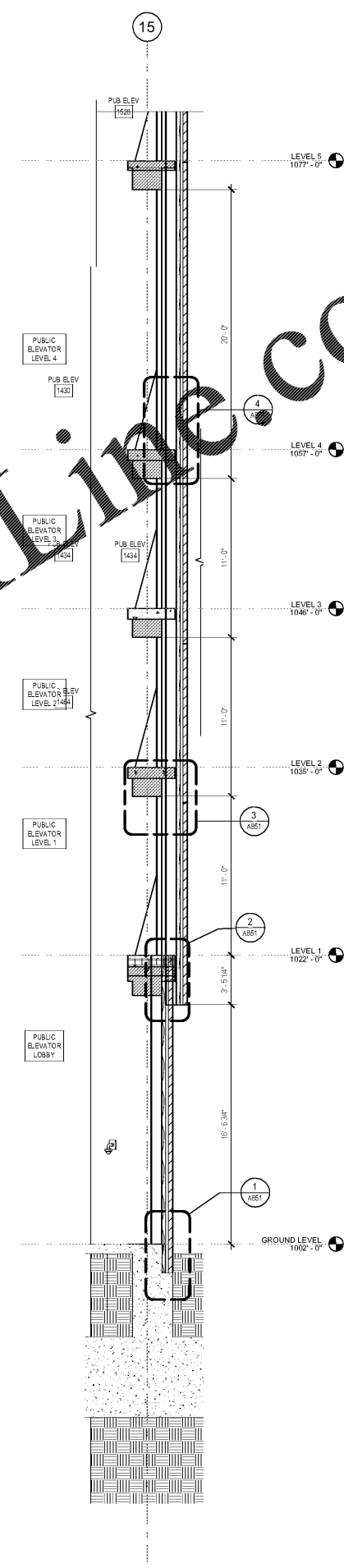
**EXTERIOR WALL
 SECTION**



3 WALL SECTION
 1/4" = 1'-0"



2 WALL SECTION
 1/4" = 1'-0"



1 WALL SECTION
 1/4" = 1'-0"

Order Plans @

WWW.LDILINE.COM