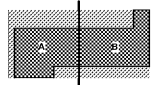




Key Plan



Professional Seal

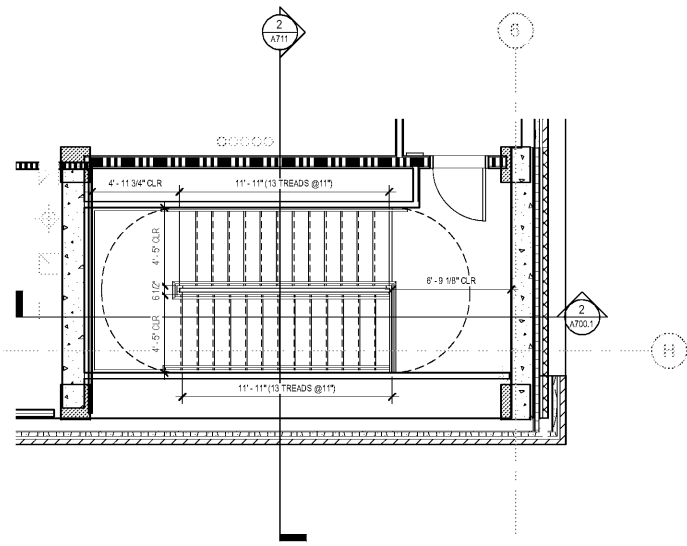
**NOT FOR
 CONSTRUCTION**

No.	Description	Date
1	ED - GMP	2019.07.03

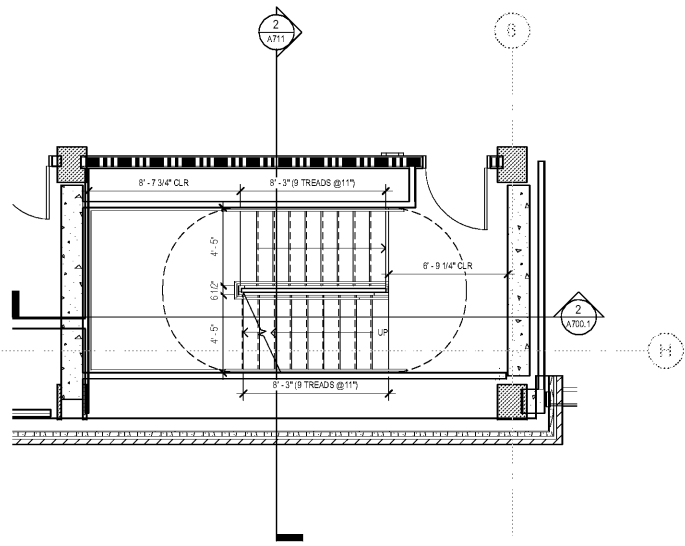
Project No: 18.16013.00
 Sheet Title

**ENLARGED PLANS -
 SOUTH STAIR**

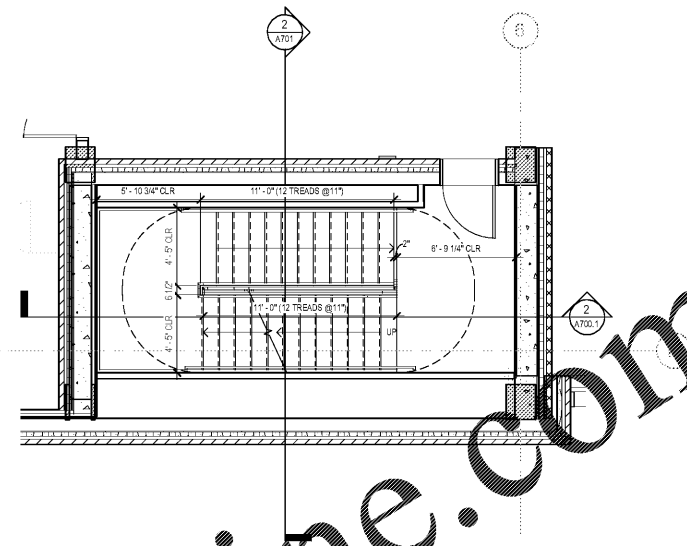
Original is 30 x 42. Do not scale contents of this drawing
 Sheet Number



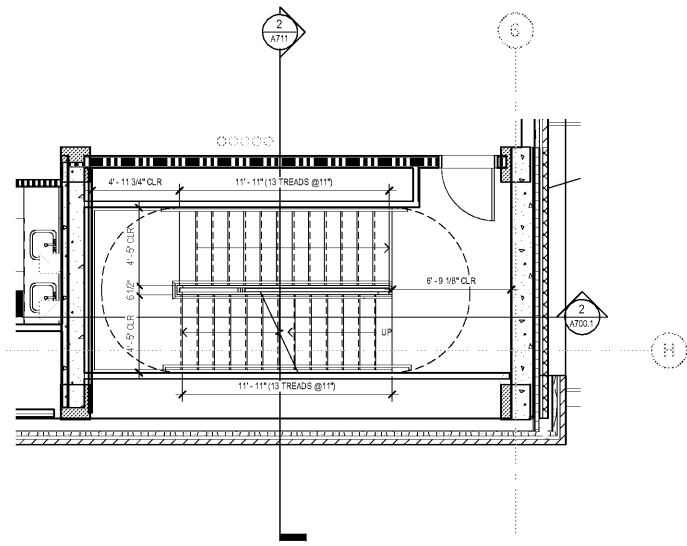
8 LEVEL 8 - ENLARGED PLAN - STAIR SOUTH
 1/4\"/>



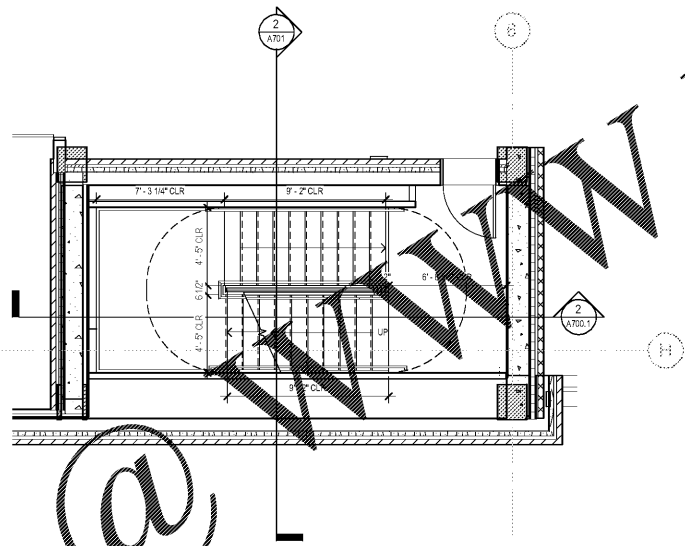
5 LEVEL 5 - ENLARGED PLAN - STAIR SOUTH
 1/4\"/>



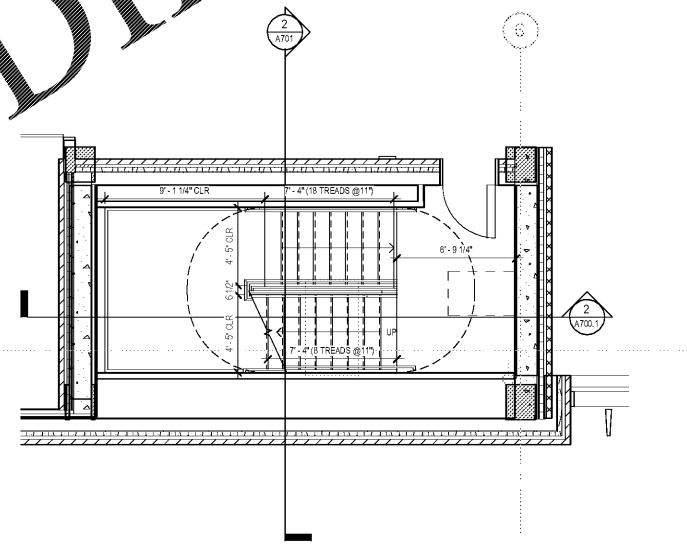
2 LEVEL 2 - ENLARGED PLAN - STAIR SOUTH
 1/4\"/>



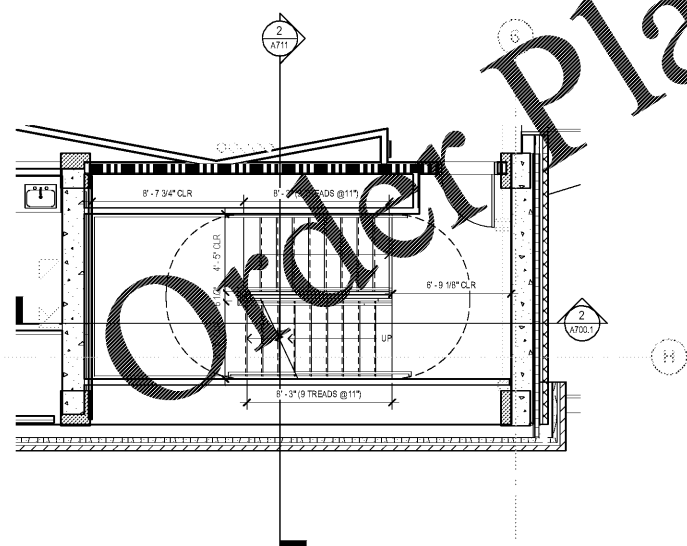
7 LEVEL 7 - ENLARGED PLAN - STAIR SOUTH
 1/4\"/>



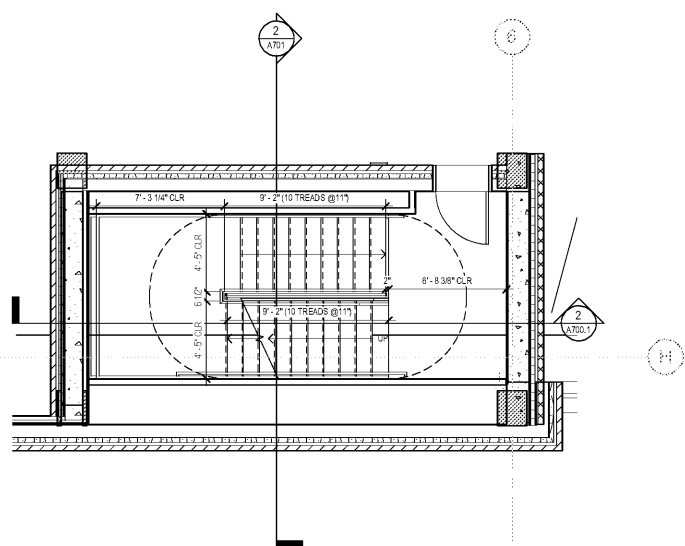
4 LEVEL 4 - ENLARGED PLAN - STAIR SOUTH
 1/4\"/>



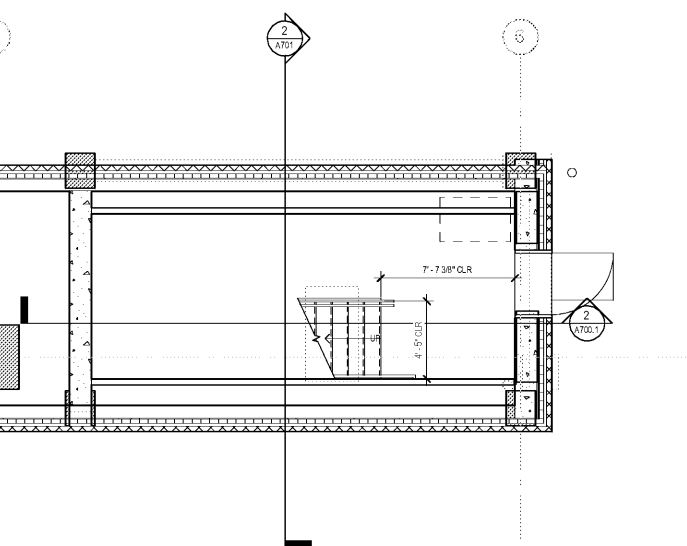
1 LEVEL 1 - ENLARGED PLAN - STAIR SOUTH
 1/4\"/>



6 LEVEL 6 - ENLARGED PLAN - STAIR SOUTH
 1/4\"/>



3 LEVEL 3 - ENLARGED PLAN - STAIR SOUTH
 1/4\"/>



0 GROUND - ENLARGED PLAN - STAIR SOUTH
 1/4\"/>