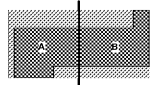




Key Plan



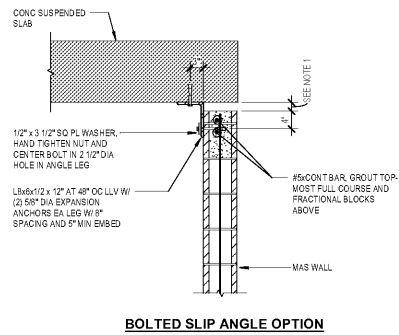
Professional Seal

**NOT FOR
CONSTRUCTION**

No.	Description	Date
1	ED: GMP	2019-07-03

Project No: 18.16013.00
Sheet Title

**TYPICAL MASONRY
WALL DETAILS**

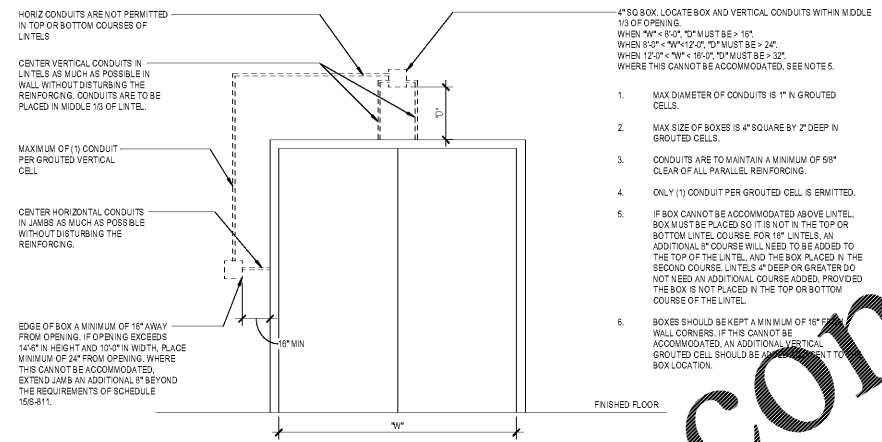


BOLTED SLIP ANGLE OPTION

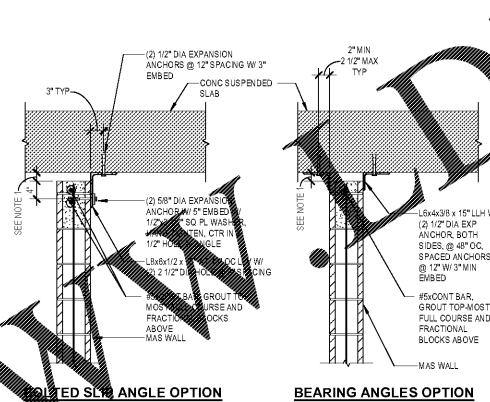
NOTES:

1. PROVIDE GAP TO CMU, 1" MIN, 2" MAX.
2. AT UPPER COURSES, SPLIT CMU BLOCK LENGTHWISE AND LAY FROM BOTH SIDES TO CLEAR REINFORCEMENT AS REQUIRED.

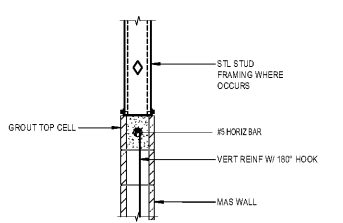
11 TOP OF CMU WALL AT CONCRETE SUSPENDED SLAB AT OPENING
1 1/2" = 1'-0"



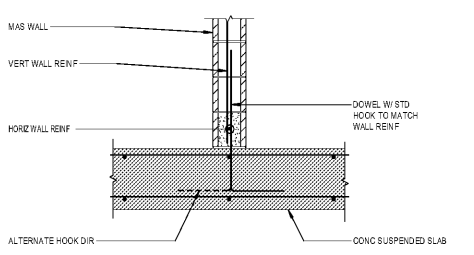
7 CONDUIT AND BOX PENETRATIONS AT MASONRY WALLS
1 1/2" = 1'-0"



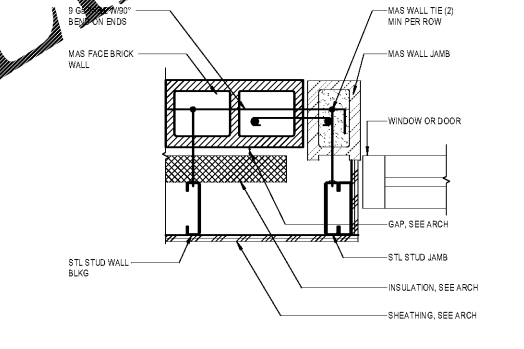
10 TOP OF CMU WALL - AT CONCRETE SUSPENDED SLAB
3/4\"/>



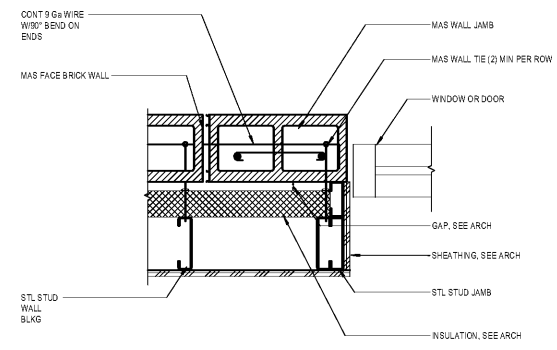
9 TOP OF PARTIAL HEIGHT MASONRY WALL
3/4\"/>



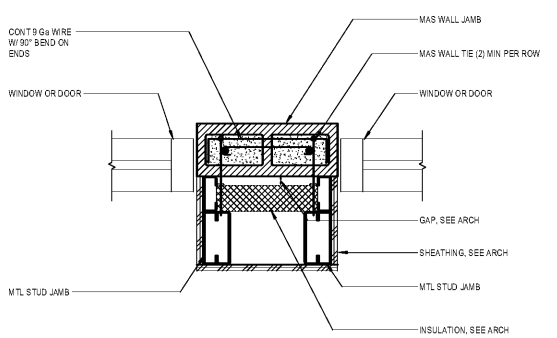
8 INTERIOR MASONRY WALL AT CONCRETE SUSPENDED SLAB
3/4\"/>



3 TYPICAL MASONRY FACE BRICK JAMB W/ RETURN
1 1/2\"/>



2 TYPICAL MASONRY FACE BRICK JAMB
1 1/2\"/>



1 TYPICAL 16\"/>

Order Plans @ WWW.AJDIline.com