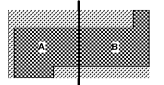




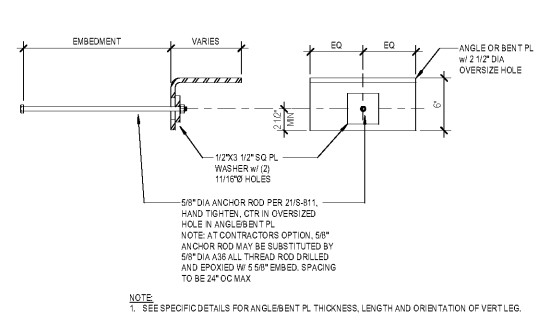
Key Plan



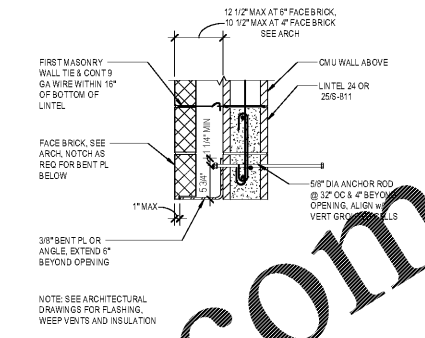
Professional Seal

**NOT FOR
CONSTRUCTION**

No.	Description	Date
1	ED - GMP	2019-07-03



15 SLIP ANGLE AT EXTERIOR CMU WALL
NTS

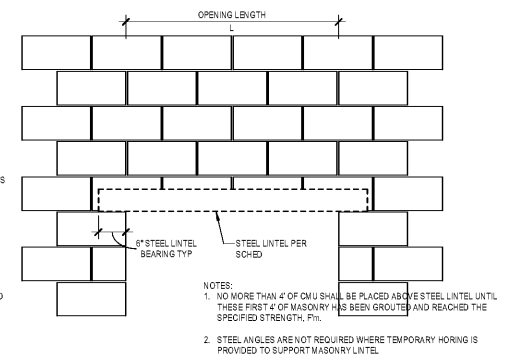


13 FACE BRICK AT LINTEL
NTS

ALTERNATE LINTEL DETAIL

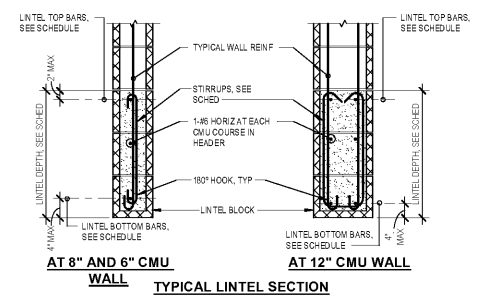
MAX MASONRY OPENING "L"	WALL THICKNESS	WALL TYPE
8'-0"	8" WALL	8" WALL
8'-0"	8" WALL	12" LINTEL
10'-0"	10" WALL	12" LINTEL
12'-0"	12" WALL	12" LINTEL

7 ALTERNATE LINTEL DETAIL
NTS



7 ALTERNATE LINTEL DETAIL
NTS

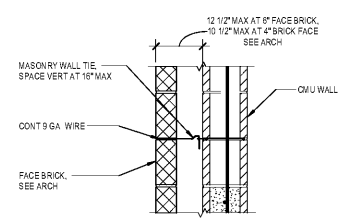
- NOTES:**
- PROVIDE LINTEL REINFORCEMENT PER THE SCHEDULE ABOVE WHERE SPECIFIC DETAILS ARE NOT CALLED OUT ON PLAN OR ELEVATION.
 - LINTELS IN THE SCHEDULE ABOVE SHALL NOT SUPPORT CONCENTRATED LOADS, INCLUDING FLOOR OR ROOF JOISTS, BEAMS OR GIRDERS UNLESS SPECIFICALLY CALLED OUT ON PLAN OR ELEVATION.
 - (B) INDICATES BOTTOM BAR, (T&B) INDICATES TOP AND BOTTOM BARS, BARS ARE CONTINUOUS.
 - HORIZONTAL REINFORCEMENT SHALL EXTEND 65d PAST THE OPENING EACH SIDE, WHERE FULL EMBED LENGTH CANNOT BE ACHIEVED, TERMINATE THE BAR WITH A 90 DEGREE HOOK.
 - GROUT MASONRY LINTELS MONOLITHICALLY WITH SUPPORT WALLS OR COLUMNS AT EACH END.
 - CONSULT THE STRUCTURAL ENGINEER OF RECORD FOR LINTEL SPANS EXCEEDING 16'-0".
 - SPLICE TOP BARS AT MID-SPAN OF LINTEL, ONLY. SPLICE BOTTOM BARS OVER SUPPORTS ONLY.
 - VERTICAL AND HORIZONTAL WALL REINFORCING SHALL EXTEND INTO AND THROUGH THE MASONRY LINTEL. FOR LIFTS WITH BOTH HORIZONTAL WALL REINFORCING AND LINTEL HORIZONTAL REINFORCING, SUPPLY THE LARGER BAR SIZE.
 - PROVIDE TEMPORARY SHORING UNTIL MASONRY LINTEL HAS BEEN GROUTED AND BOTH LINTEL AND MASONRY SUPPORTED BY LINTEL HAS REACHED SPECIFIED STRENGTH.
 - AS AN ALTERNATE TO TEMPORARY SHORING, DETAIL 256-801 MAY BE USED FOR CLEAR SPANS UP TO 12'-0".
 - 8" CMU TO BE BACKED UP BY COLD FORMED STEEL FRAMING FOR OUT OF PLANE LATERAL SUPPORT.



MASONRY LINTEL SCHEDULE

CLEAR SPAN NOT TO EXCEED	MIN LINTEL DEPTH	MATERIAL	HORIZONTAL REINFORCEMENT			STIRRUPS		
			8" WALL	8" WALL	10" WALL	8" WALL	8" WALL	10" WALL

* CLEAR SPAN MAY EXTEND UP TO 12'-0" FOR 8" WALL WHERE MASONRY DOES NOT EXTEND MORE THAN 8" ABOVE THE LINTEL DEPTH.



14 TYPICAL FACE BRICK ON MASONRY WALL
NTS

NOTE: SEE ARCHITECTURAL DRAWINGS FOR FLASHING, WEEP VENTS AND INSULATION

1 TYPICAL NON-BEARING MASONRY WALL LINTEL, SCHEDULE, AND NOTES NOTES
NTS

Order Plans @ WWW.AJDIline.com