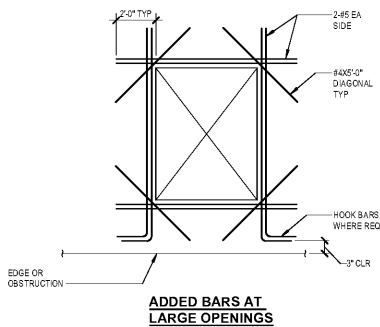
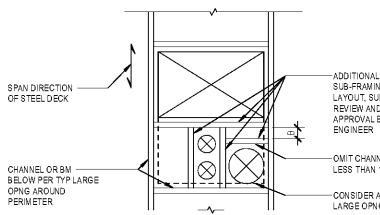


SMALL OPENING ADJACENT TO COLUMN

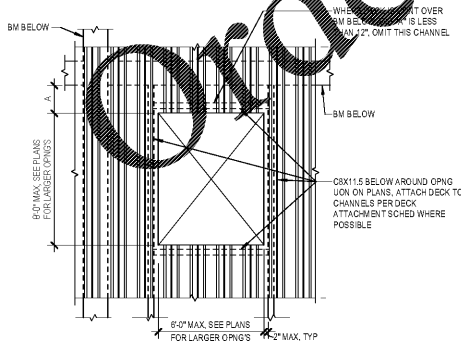
2 SMALL OPENINGS ADJACENT TO COLUMN
NTS



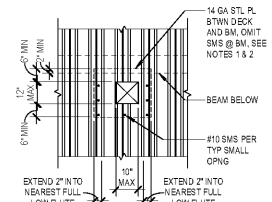
ADDED BARS AT LARGE OPENINGS



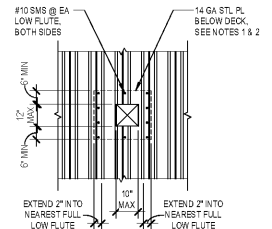
DIVIDED LARGE OPENING



7 LARGE OPENINGS IN DECK
NTS

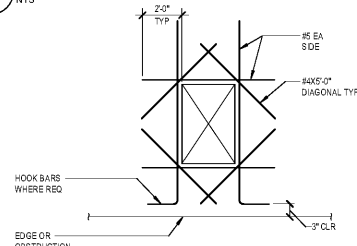


SMALL OPENING ADJACENT TO BEAM

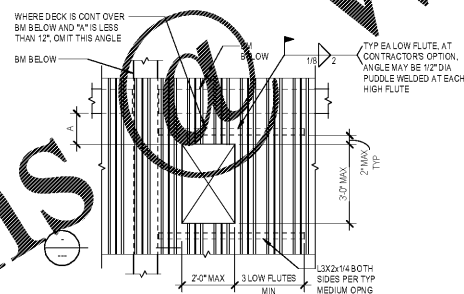


TYPICAL SMALL OPENING

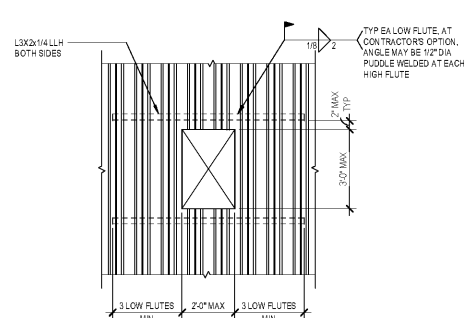
1 SMALL OPENINGS IN DECK
NTS



ADDED BARS AT MEDIUM OPENINGS



MEDIUM OPENING ADJACENT TO BEAM



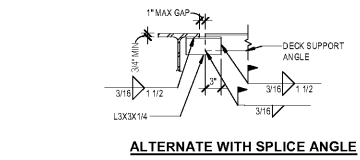
TYPICAL MEDIUM OPENING

6 MEDIUM OPENINGS IN DECK
NTS

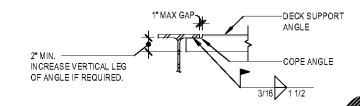
- NOTES:**
- CLASSIFY OPENING OR MULTIPLE OPENING PATTERN PER SCHEDULE. CLASSIFY AS SMALLEST OPENING POSSIBLE. STRENGTHEN OPENINGS AS SHOWN ON REFERENCED DETAILS. PROVIDE ADDED BARS AT OPENINGS WHERE CONCRETE FILL OCCURS OVER STEEL DECK.
 - OPENINGS THROUGH DECK SHOWN ON FRAMING PLANS ARE NOT COMPLETE AS TO NUMBER, SIZE AND LOCATION. FOR COMPLETE INFORMATION, SEE ARCHITECTURAL AND MEP DRAWINGS.

OPENING PATTERN AT DECK SPAN BETWEEN ADJACENT BEAMS	CLASSIFICATION AND REFERENCED DETAIL
	UNREINFORCED OPENINGS
	SMALL OPENINGS REINFORCE PER SMALL OPENING DETAIL
	MEDIUM OPENINGS REINFORCE PER MEDIUM OPENING DETAIL
	LARGE OPENINGS REINFORCE PER LARGE OPENING DETAIL

9 DECK OPENING NOTES
NTS

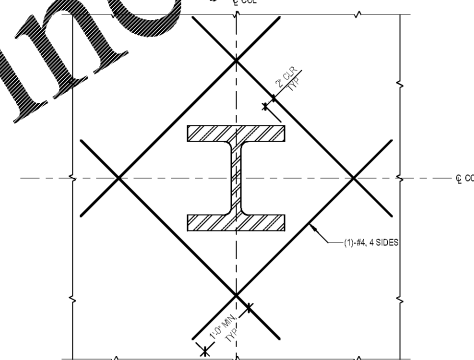


ALTERNATE WITH SPLICE ANGLE



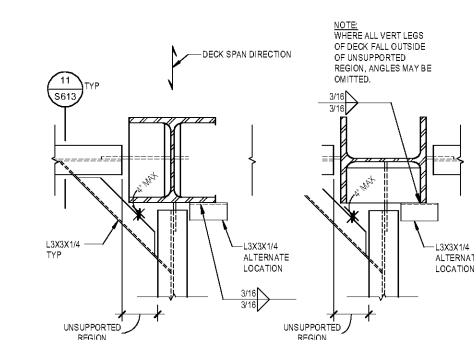
COPE ANGLE

11 ANGLE CONNECTION
NTS



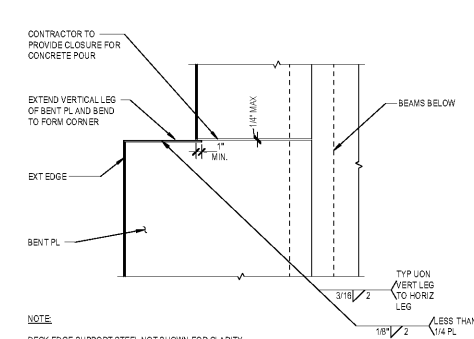
- NOTES:**
- SLAB REINFORCEMENT SHOWN TO BE PLACED IMMEDIATELY BELOW THE TYPICAL SLAB TOP BAR REINFORCEMENT.
 - SEE TYPICAL DECK SUPPORT AT COLUMN DETAIL.
 - FOR W33 AND DEEPER COLUMNS, PROVIDE ADD. REINF AROUND COLUMN PER 19S-623.

4 SLAB REINF AT INTERIOR COLUMN
NTS



- NOTES:**
- SEE SIDE PLATE CONNECTION DETAILS FOR REQUIREMENTS AT COLUMNS WITH SIDE PLATE CONNECTION.

3 DECK SUPPORT AT COLUMN
NTS



- NOTE:**
DECK EDGE SUPPORT STEEL NOT SHOWN FOR CLARITY

5 EDGE OF DECK AT EXTENDED SLAB EDGE
NTS



Project
**THE CENTER FOR
ADVANCED SURGICAL
SERVICES (CASA)**
88 JESSE HILL DRIVE
ATLANTA, GA 30303

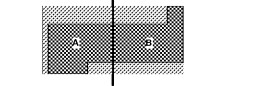
Prepared For
GRADY HEALTH SYSTEM
80 JESSEE HILL DR. SE
ATLANTA, GA 30303



Heldman, Obata & Kastner, Inc.
191 Peachtree Street, NE, Suite 2250
Atlanta, GA 30303 USA
T+1 404 439 9000 F+1 404 439 9001

All reproduction & intellectual property rights reserved © 2019
In Association with

Key Plan



Professional Seal

**NOT FOR
CONSTRUCTION**

No.	Description	Date
1	ED - GMP	2019-07-03

Project No: 18.16013.00
Sheet Title

**TYPICAL STEEL DECK
DETAILS**

Original is 30 x 42. Do not scale contents of this drawing.
Sheet Number

S613