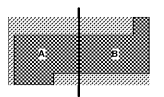




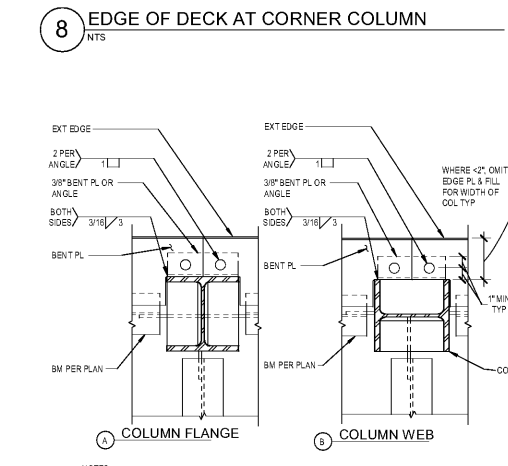
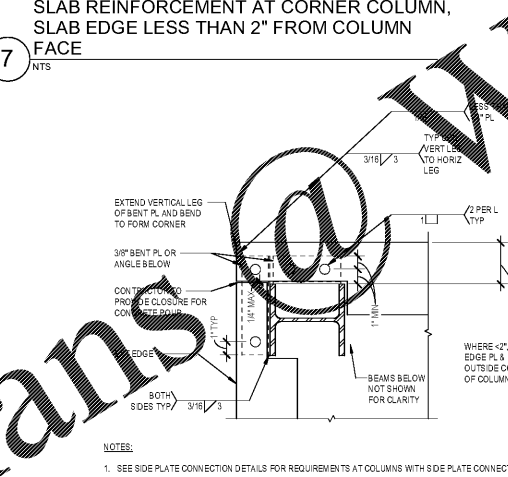
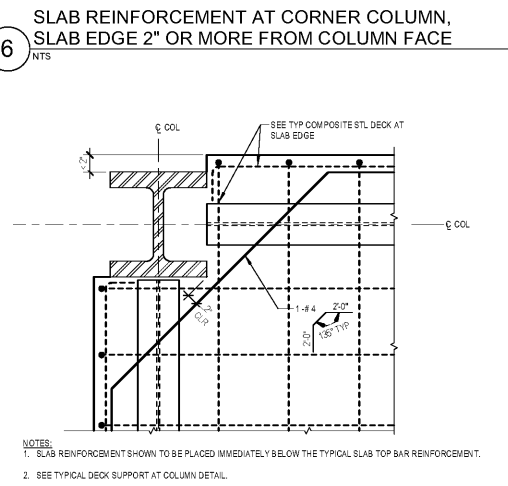
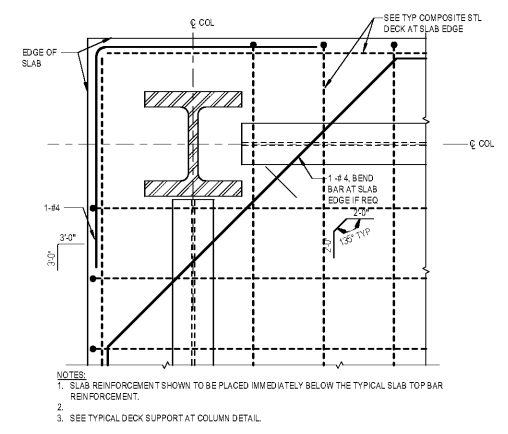
Key Plan



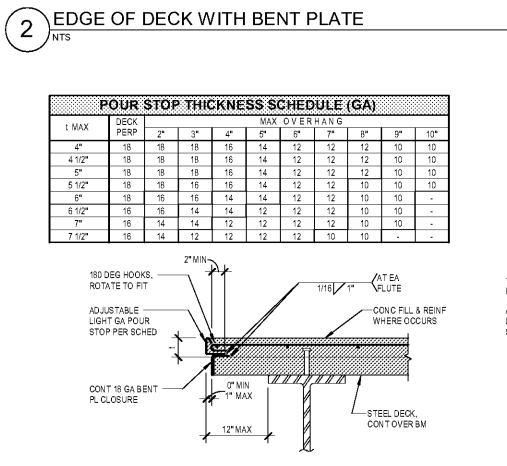
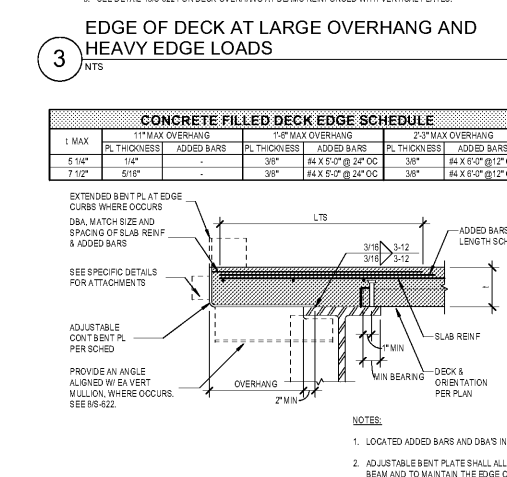
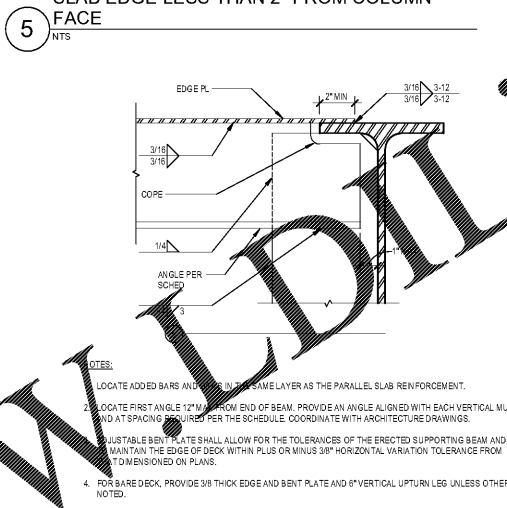
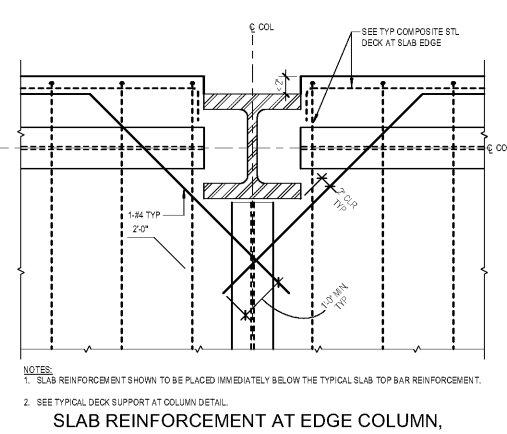
Professional Seals

**NOT FOR
 CONSTRUCTION**

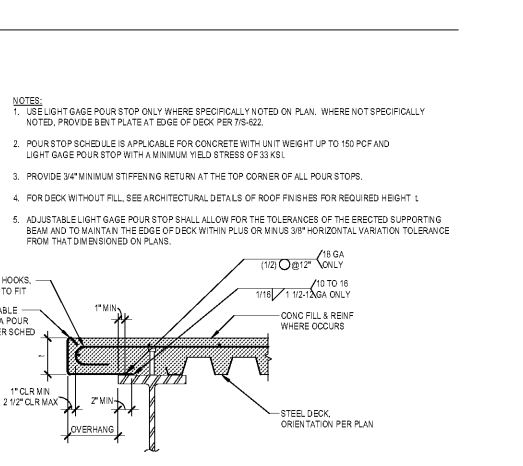
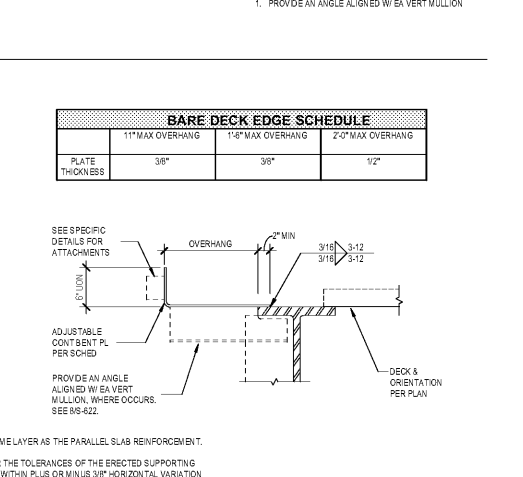
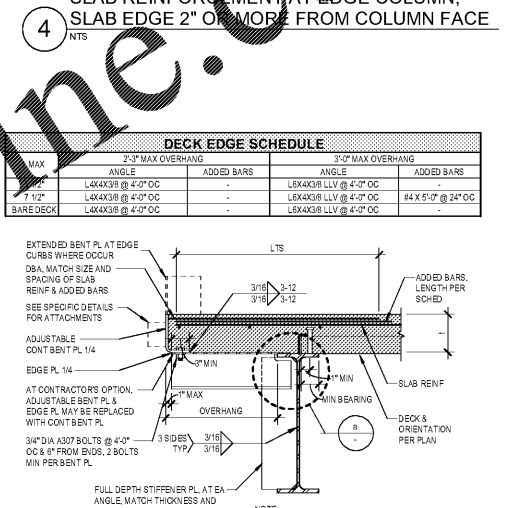
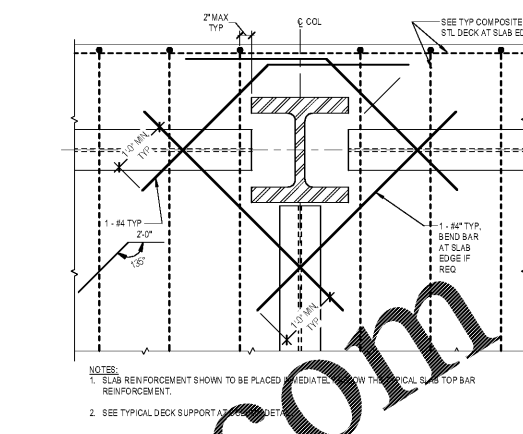
No.	Description	Date
1	ED - GMP	2019-07-03



1 NTS
EDGE OF DECK WITH POUR STOP



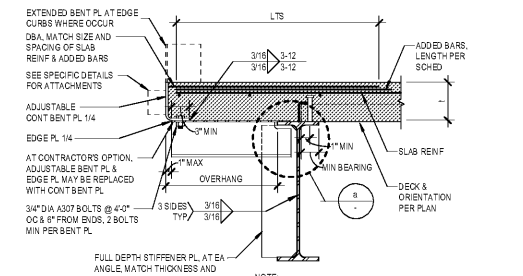
1 NTS
EDGE OF DECK WITH POUR STOP



1 NTS
EDGE OF DECK WITH POUR STOP

DECK EDGE SCHEDULE

MAX ANGLE	2'-3" MAX OVERHANG		3'-0" MAX OVERHANG	
	ADDED BARS	ADDED BARS	ADDED BARS	ADDED BARS
7 1/2"	L64X3/8 @ 4'-0" OC	-	L64X3/8 LVL @ 4'-0" OC	-
7 1/2"	L64X3/8 @ 4'-0" OC	-	L64X3/8 LVL @ 4'-0" OC	84 X 5'-0" @ 24" OC
BARE DECK	L64X3/8 @ 4'-0" OC	-	L64X3/8 LVL @ 4'-0" OC	-

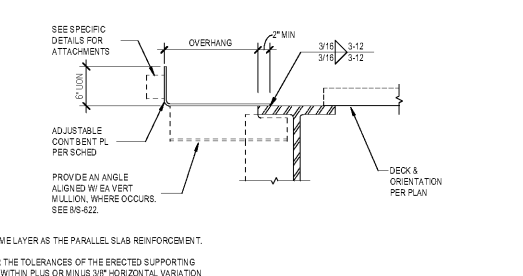


CONCRETE FILLED DECK EDGE SCHEDULE

1" MAX OVERHANG	2'-3" MAX OVERHANG		3'-0" MAX OVERHANG	
	PL THICKNESS	ADDED BARS	ADDED BARS	ADDED BARS
5 1/4"	5/8"	-	3/8"	84 X 5'-0" @ 24" OC
7 1/2"	5/8"	-	3/8"	84 X 5'-0" @ 24" OC

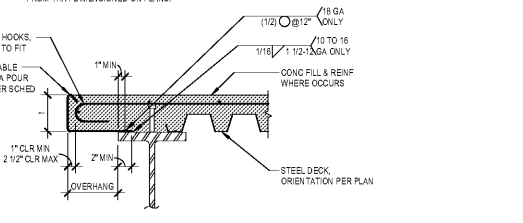
BARE DECK EDGE SCHEDULE

PLATE THICKNESS	1'-6" MAX OVERHANG		2'-0" MAX OVERHANG	
	ADDED BARS	ADDED BARS	ADDED BARS	ADDED BARS
3/8"	-	-	-	-
3/8"	-	-	-	-



POUR STOP THICKNESS SCHEDULE (GA)

1" MAX DECK PERP	MAX OVERHANG									
	2"	3"	4"	5"	6"	7"	8"	9"	10"	
4"	18	18	18	16	14	12	12	12	10	10
4 1/2"	18	18	18	16	14	12	12	12	10	10
5"	18	18	18	16	14	12	12	12	10	10
5 1/2"	18	18	16	16	14	12	12	10	10	10
6"	18	18	16	14	14	12	12	10	10	-
6 1/2"	18	16	14	14	12	12	12	10	10	-
7"	16	14	14	12	12	12	12	10	10	-
7 1/2"	16	14	12	12	12	12	10	10	-	-



1 NTS
EDGE OF DECK WITH POUR STOP

Order Plans @ www.wldiline.com