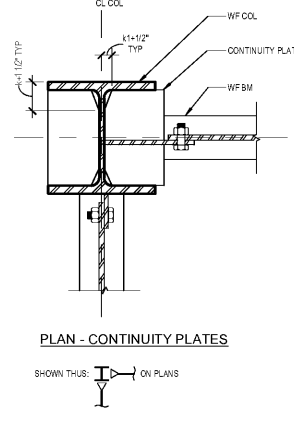
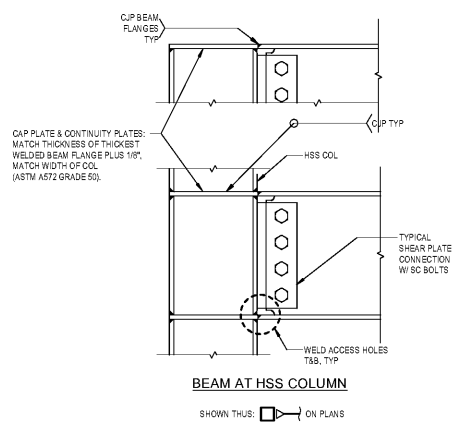


Order Plans

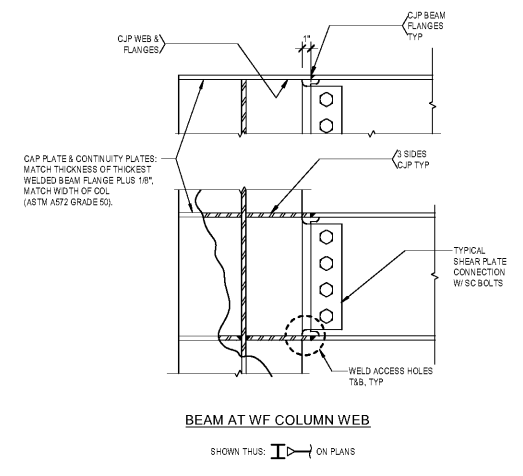
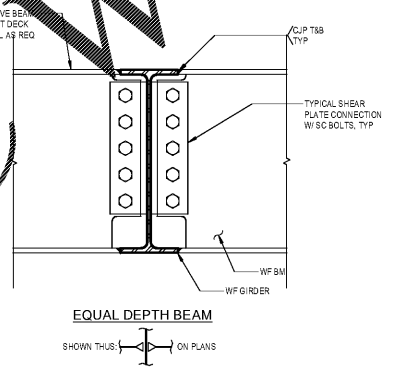
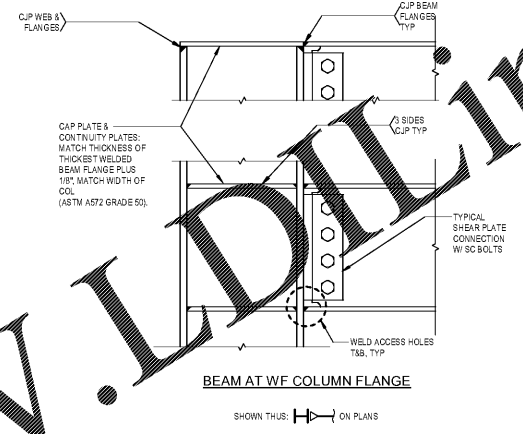
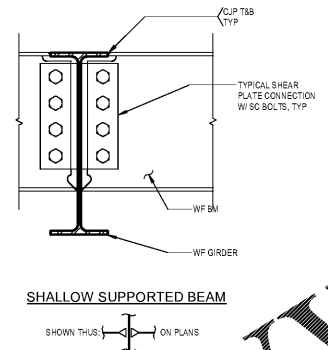
@

2 TYPICAL WELDED BEAM TOP & BOTTOM FLANGE CONNECTIONS AND NOTES

1 1/2" x 1'-0" SF
B1010.10 Floor Structural Frame
05 12.00 Structural Steel Framing



- NOTES:
1. PROVIDE ACCESS HOLES AT BEAM TOP AND BOTTOM FLANGES PER AWS D1.1.
 2. PROVIDE TYPICAL SHEAR PLATE CONNECTIONS WITH SLIP CRITICAL BOLTED CONNECTIONS AT ALL BEAMS WITH WELDED TOP AND BOTTOM FLANGES.
 3. IN LIEU OF CJP WELDED TOP FLANGES AT BEAMS CANTILEVERED FROM GIRDERS, TOP BRUCE PLATE MAY BE USED. PROVIDE PLATE AND FILLET WELDS PER TOP BRUCE PLATE SCHEDULE, UNLESS OTHERWISE NOTED.



Project
THE CENTER FOR
ADVANCED SURGICAL
SERVICES (CASS)
88 JESSE HILL DRIVE
ATLANTA, GA 30303

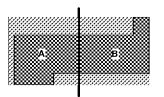
Prepared For
GRADY HEALTH SYSTEM
80 JESSEE HILL DR. SE
ATLANTA, GA 30303



Helmuth, Obata & Kassabaum, Inc.
191 Peachtree Street, NE, Suite 2250
Atlanta, GA 30303 USA
F+1 404 439 9000 F+1 404 439 9001

All reproduction & intellectual property rights reserved © 2019
In Association with

Key Plan



Professional Seals

NOT FOR
CONSTRUCTION

No.	Description	Date
1	DD - GMP	2019.07.03

Project No: 18.16013.00
Sheet Title

TYPICAL MOMENT
CONNECTION DETAILS

Original is 20 x 43. Do not scale contents of this drawing
Sheet Number

S603