

Project  
**THE CENTER FOR  
 ADVANCED SURGICAL  
 SERVICES (CASS)**  
 88 JESSE HILL DRIVE  
 ATLANTA, GA 30303

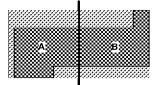
Prepared For  
**GRADY HEALTH SYSTEM**  
 80 JESSEE HILL DR. SE  
 ATLANTA, GA 30303



Helmuth, Obata & Kassabaum, Inc.  
 191 Peachtree Street, NE, Suite 2250  
 Atlanta, GA 30303 USA  
 T+1 404 439 9000 F+1 404 439 9001

All reproduction & intellectual property rights reserved © 2019  
 In Association with

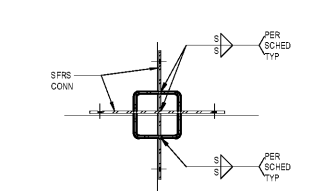
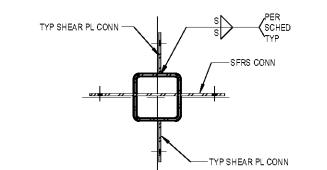
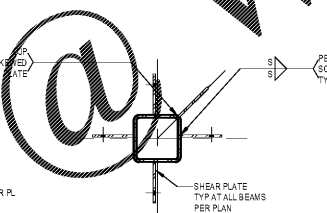
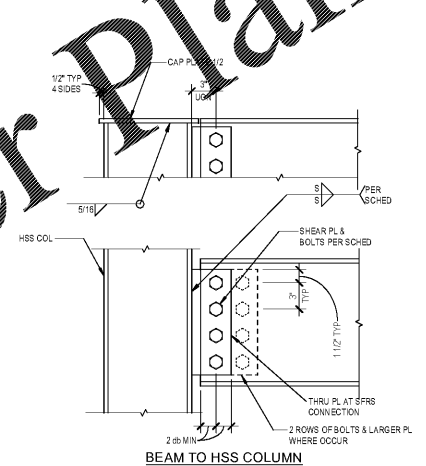
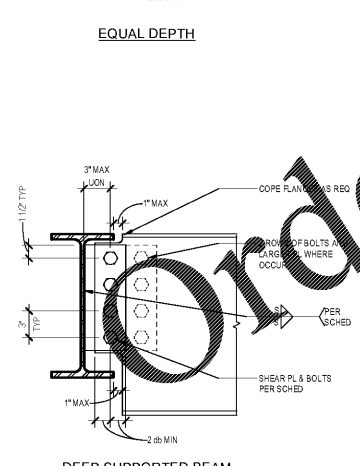
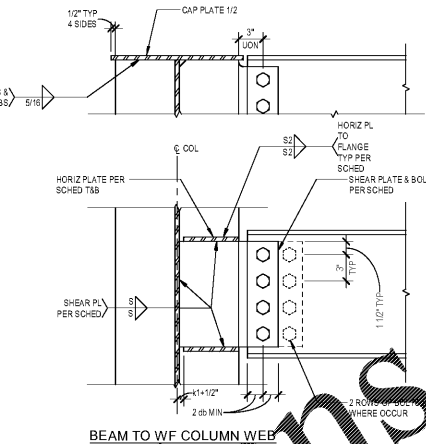
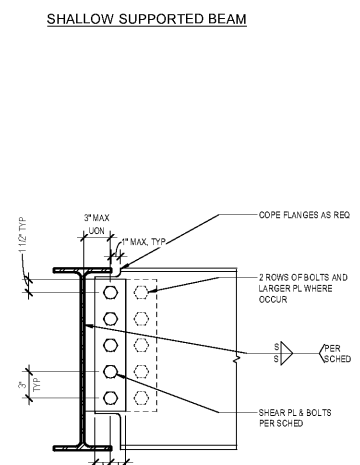
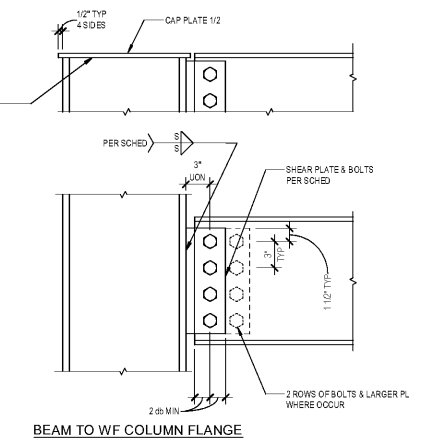
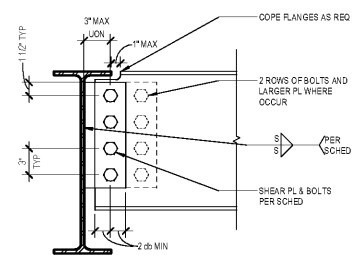
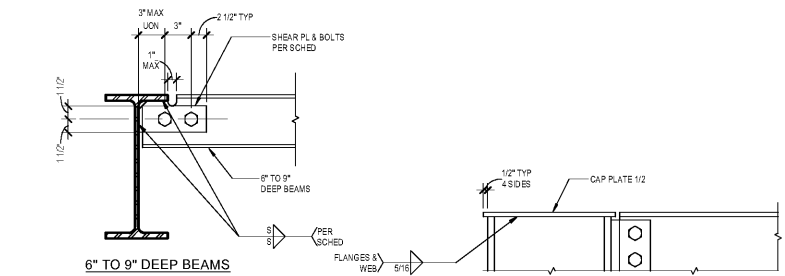
Key Plan



Professional Seal

**NOT FOR  
 CONSTRUCTION**

| No. | Description | Date       |
|-----|-------------|------------|
| 1   | ED - GRP    | 2019-07-03 |



PLANS OF HSS COLUMNS

NOTES:  
 PROVIDE SHEAR PLATE CONNECTIONS AT BEAM ENDS PER TYPICAL SHEAR PLATE CONNECTION SCHEDULE UNLESS OTHERWISE NOTED.

| DEPTH OR SIZE OF BEAM | # OF BOLTS, 7/8" DIA AS25SC UNON | SHEAR PL THICKNESS | WELD SIZE S1 | WF COL WEB         |              |
|-----------------------|----------------------------------|--------------------|--------------|--------------------|--------------|
|                       |                                  |                    |              | HORIZ PL THICKNESS | WELD SIZE S2 |
| 6" TO 9"              | 2 HORIZ                          | 3/8"               | 1/4          | 1/2"               | 1/4          |
| 10" TO 12"            | 2                                | 3/8"               | 1/4          | 1/2"               | 1/4          |
| 14" TO 15"            | 3                                | 3/8"               | 1/4          | 1/2"               | 1/4          |
| 16                    | 4                                | 3/8"               | 1/4          | 1/2"               | 1/4          |
| 21                    | 4                                | 3/8"               | 1/4          | 1/2"               | 1/4          |
| 24                    | 5                                | 3/8"               | 1/4          | 1/2"               | 1/4          |
| 27                    | 6                                | 3/8"               | 1/4          | 1/2"               | 1/4          |
| 30                    | 7                                | 1/2"               | 5/16         | 1/2"               | 5/16         |
| 36                    | 8                                | 1/2"               | 5/16         | 1/2"               | 5/16         |
| 42                    | 9                                | 1/2"               | 5/16         | 1/2"               | 5/16         |
| 48                    | 9                                | 1/2"               | 5/16         | 1/2"               | 5/16         |
| 54                    | 1                                | 1/2"               | 5/16         | 1/2"               | 5/16         |
| 60                    | 1                                | 1/2"               | 5/16         | 1/2"               | 5/16         |

2. MARKS: [Symbol] [Symbol] [Symbol] [Symbol] [Symbol] [Symbol]

3. DENOTE DOUBLE ROW OF BOLTS. PROVIDE BOLTS, PLATES AND WELDS PER DOUBLE ROW OF BOLTS SCHEDULE. SPACE VERTICAL ROW OF BOLTS 3" ON CENTER.

| DEPTH OR SIZE OF BEAM | # OF BOLTS, 7/8" DIA AS25SC UNON | SHEAR PL THICKNESS | WELD SIZE S1 | WF COL WEB         |              |
|-----------------------|----------------------------------|--------------------|--------------|--------------------|--------------|
|                       |                                  |                    |              | HORIZ PL THICKNESS | WELD SIZE S2 |
| 6" TO 9"              | 2 HORIZ                          | 5/8"               | 7/16         | 3/4"               | 7/16         |
| 10" TO 12"            | 2                                | 5/8"               | 7/16         | 3/4"               | 7/16         |
| 14" TO 15"            | 3                                | 5/8"               | 7/16         | 3/4"               | 7/16         |
| 16                    | 4                                | 5/8"               | 7/16         | 3/4"               | 7/16         |
| 21                    | 4                                | 5/8"               | 7/16         | 3/4"               | 7/16         |
| 24                    | 5                                | 5/8"               | 7/16         | 3/4"               | 7/16         |
| 27                    | 6                                | 5/8"               | 7/16         | 3/4"               | 7/16         |
| 30                    | 7                                | 5/8"               | 7/16         | 3/4"               | 7/16         |
| 36                    | 8                                | 5/8"               | 7/16         | 3/4"               | 7/16         |
| 42                    | 9                                | 5/8"               | 7/16         | 3/4"               | 7/16         |
| 48                    | 9                                | 5/8"               | 7/16         | 3/4"               | 7/16         |
| 54                    | 1                                | 5/8"               | 7/16         | 3/4"               | 7/16         |
| 60                    | 1                                | 5/8"               | 7/16         | 3/4"               | 7/16         |

3. MARKS: [Symbol] [Symbol] [Symbol] [Symbol] [Symbol] [Symbol]

4. DENOTE TOP FLANGE CONNECTION. SEE SHEET SXXX.

4. DEPTH OR SIZE REFERS TO EITHER THE SUPPORTED BEAM OR SUPPORTING GIRDER, WHICHEVER IS SMALLEST.

5. ALL SHEAR PLATES SHALL BE ASTM A36.

6. PROVIDE SLIP CRITICAL BOLTS FOR ALL SFRS CONNECTIONS.

7. FOR SKEWED CONNECTIONS, SEE DETAILS ON SHEET SXXX.