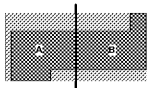




Key Plan



Professional Seals

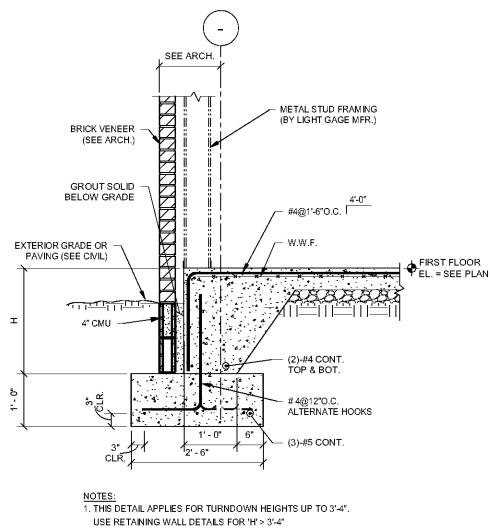
**NOT FOR  
 CONSTRUCTION**

No.	Description	Date
1	DD - GMP	2019-07-03

Project No: 18.16013.00

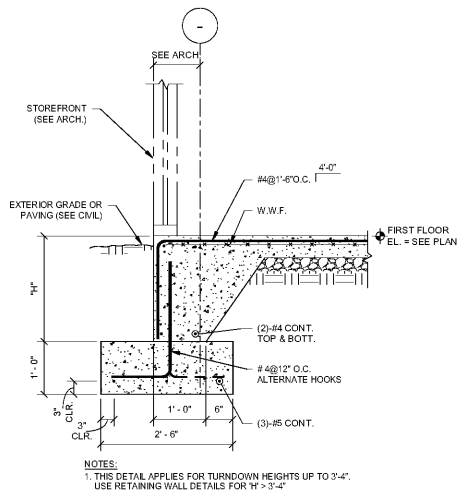
Sheet Title

FOUNDATION DETAILS



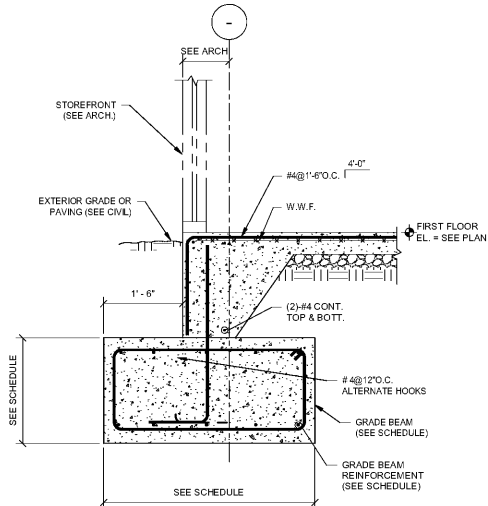
NOTES:  
 1. THIS DETAIL APPLIES FOR TURNDOWN HEIGHTS UP TO 3'-4".  
 USE RETAINING WALL DETAILS FOR "H" > 3'-4"

1 FOUNDATION SECTION AT BRICK W/ METAL STUDS  
 3/4" = 1'-0"

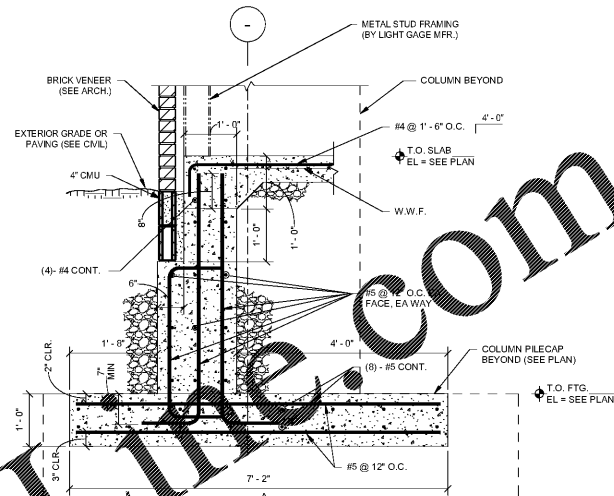


NOTES:  
 1. THIS DETAIL APPLIES FOR TURNDOWN HEIGHTS UP TO 3'-4".  
 USE RETAINING WALL DETAILS FOR "H" > 3'-4"

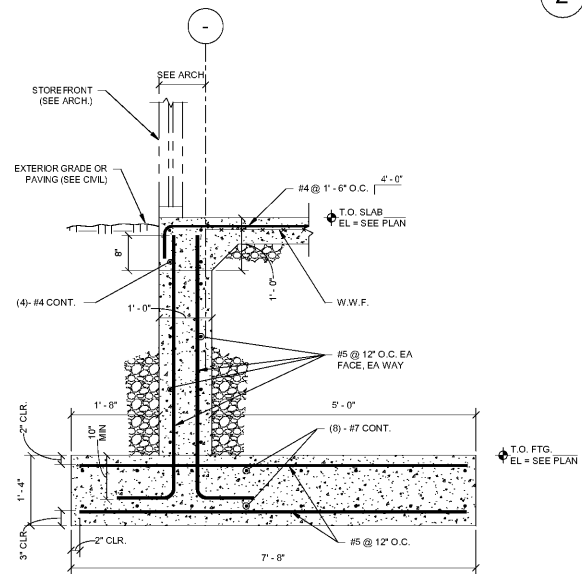
2 FOUNDATION SECTION AT GLAZING  
 3/4" = 1'-0"



3 FOUNDATION SECTION AT GLAZING (AT GRADE BEAM)  
 3/4" = 1'-0"



SECTION AT NORTHEAST FACE (NEAR LOADING DOCK)  
 3/4" = 1'-0"



5 SECTION AT EAST FACE (NEAR SERVICE ELEVATOR)  
 3/4" = 1'-0"

Order Plans @ www.LDILLINE.com